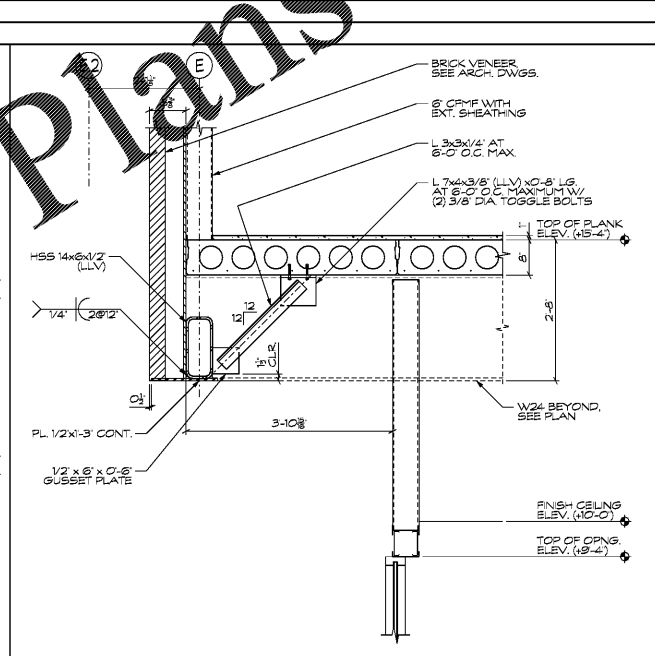
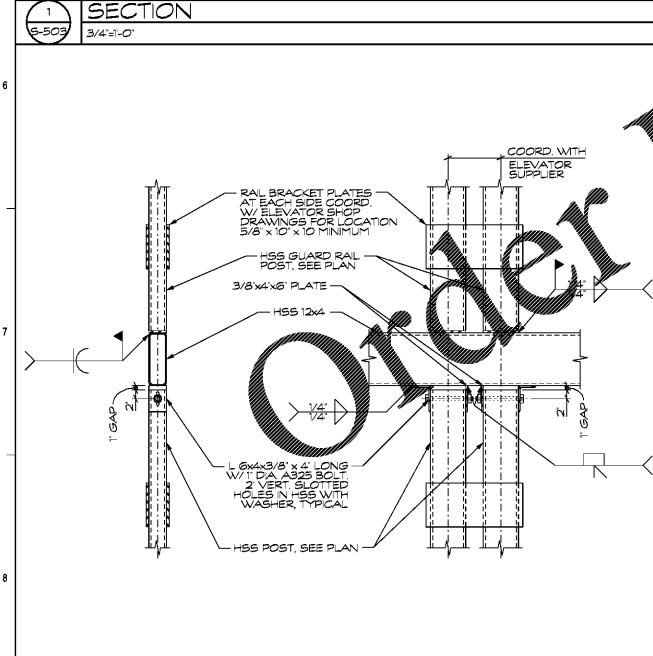
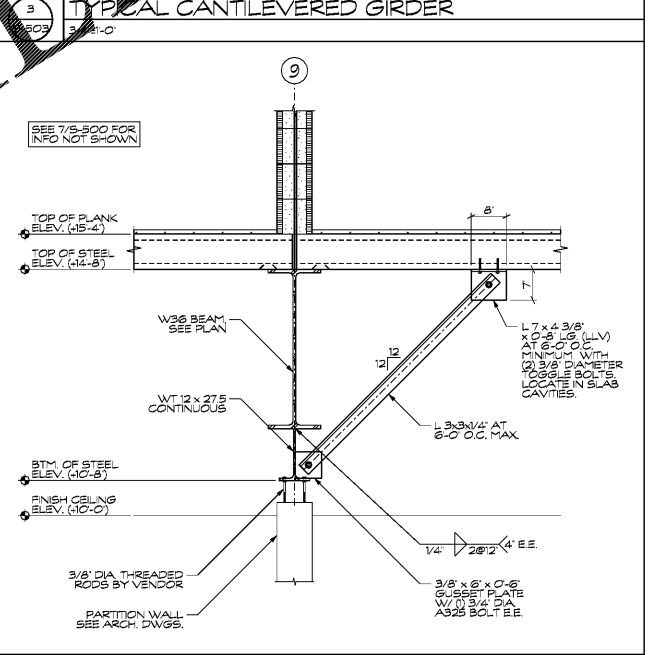
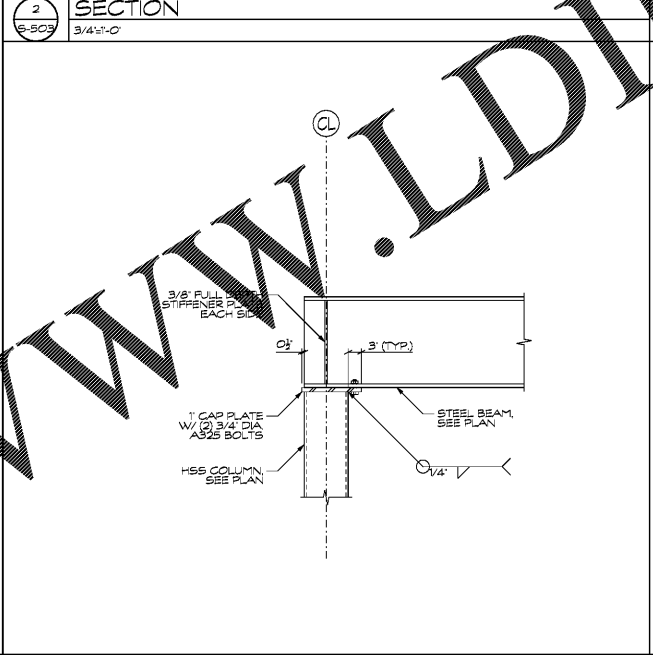
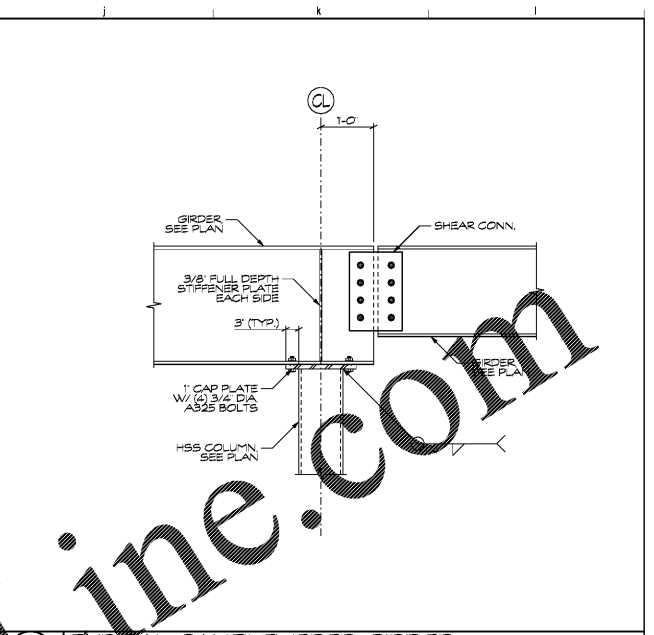
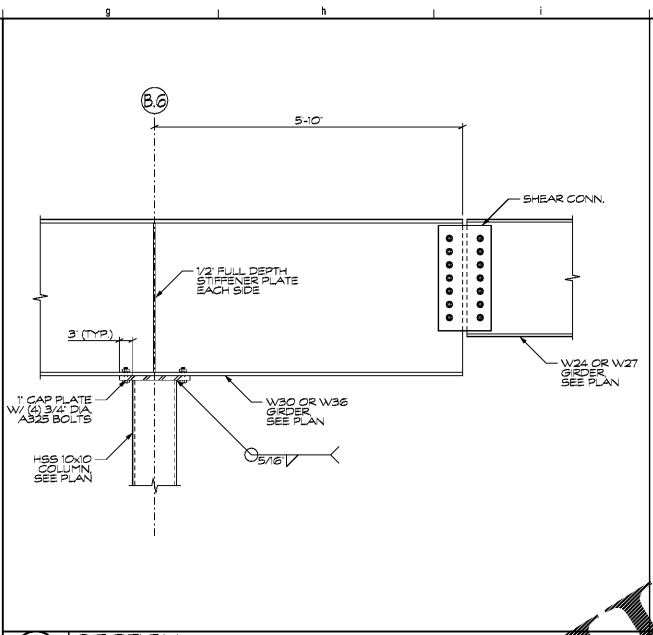
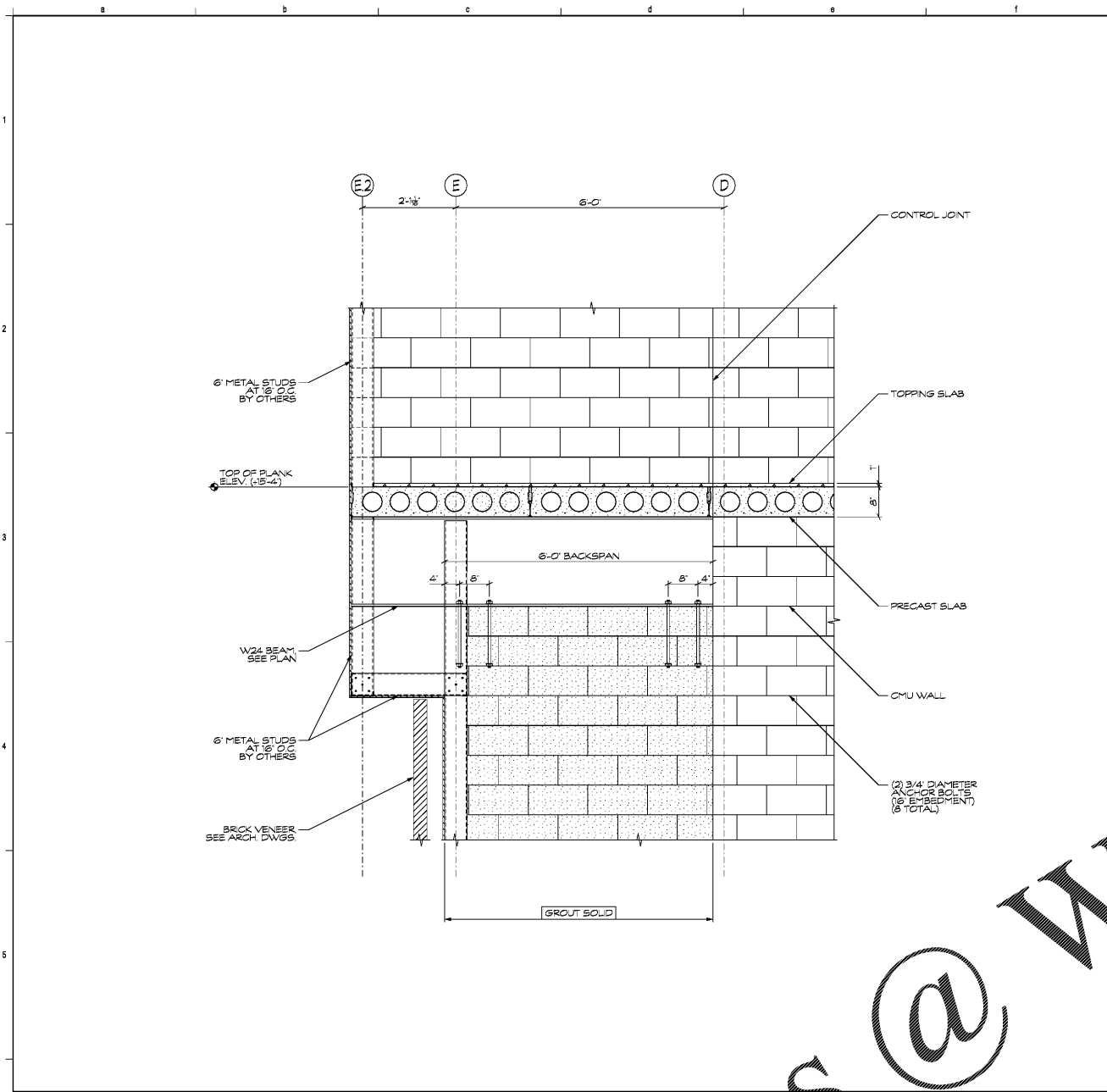


Revisions		
#	Date	Description

Project Number: 18021
 Issued for: CONSTRUCTION
 Issue Date: 06/01/19

DRAWING TITLE
FRAMING SECTIONS AND DETAILS

SHEET NUMBER
S-503



6 SECTION 3/4"-1'-0" **7 SECTION** 3/4"-1'-0"