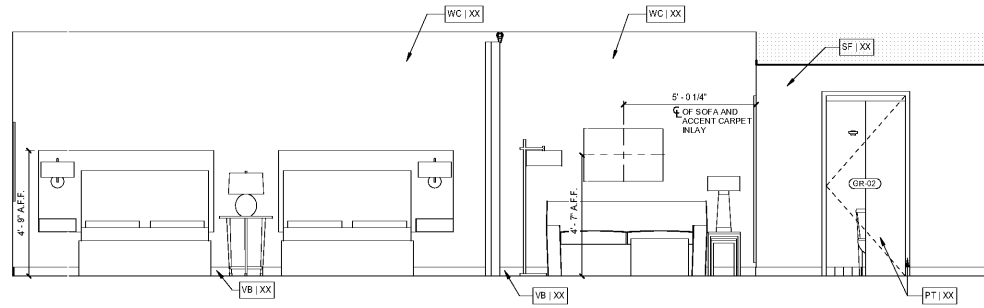


Revisions		
#	Date	Description

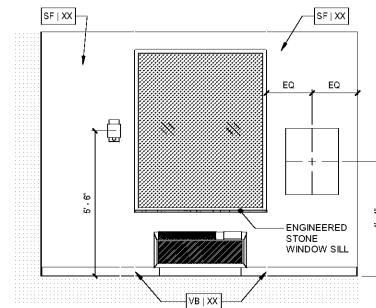
Project Number: 18021
Issued for: CONSTRUCTION
Issue Date: 2019-06-07

DRAWING TITLE
GUESTROOM
ELEVATIONS - DBL
QUEEN STUDIO,
CONN

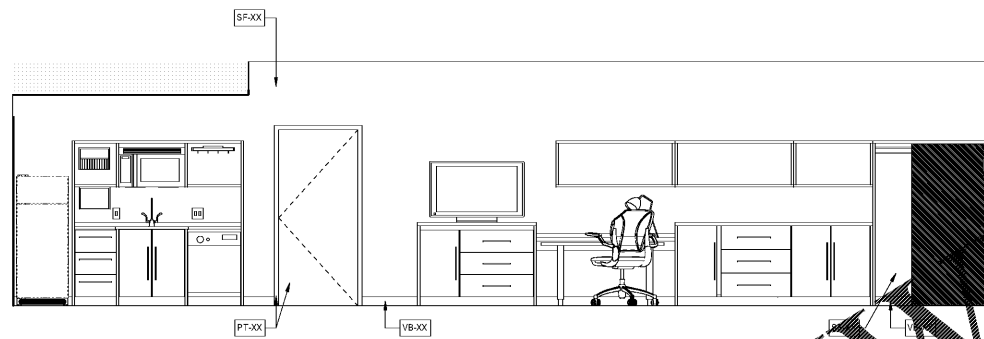
SHEET NUMBER
ID.605



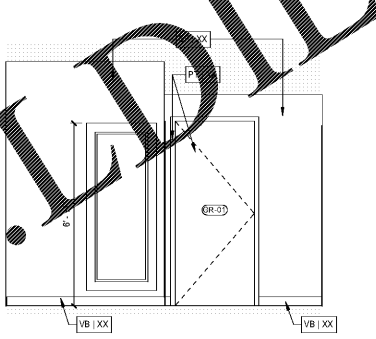
8 DBL QUEEN STUDIO CONN
SCALE: 3/8" = 1'-0"



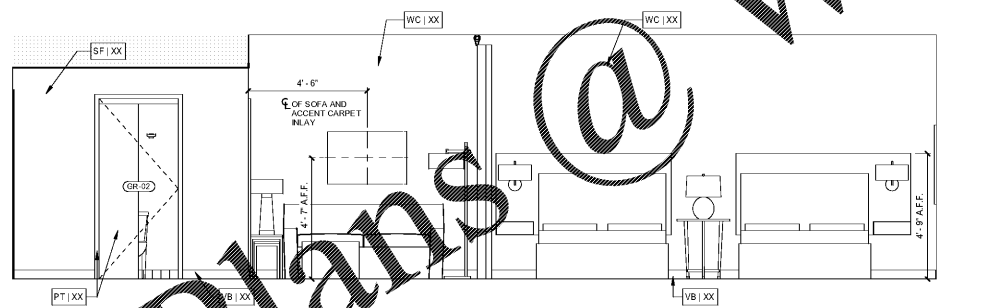
7 DBL QUEEN STUDIO CONN
SCALE: 3/8" = 1'-0"



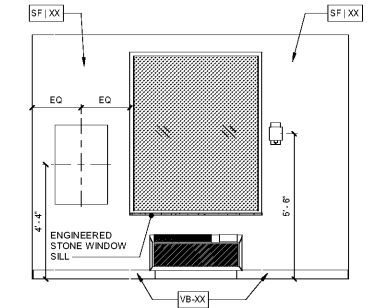
6 DBL QUEEN STUDIO CONN
SCALE: 3/8" = 1'-0"



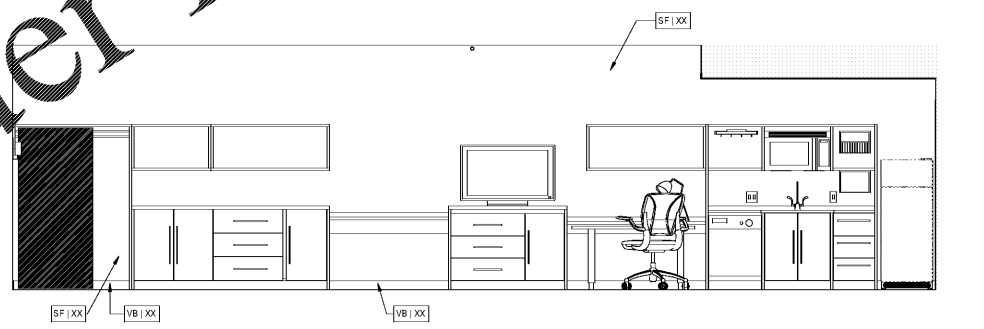
5 DBL QUEEN STUDIO CONN
SCALE: 3/8" = 1'-0"



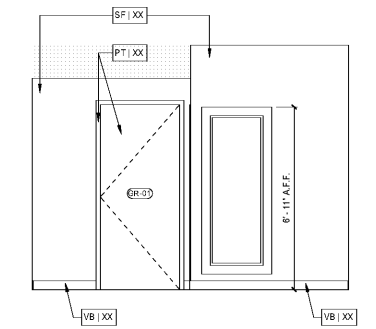
4 DBL QUEEN STUDIO
SCALE: 3/8" = 1'-0"



3 DBL QUEEN STUDIO
SCALE: 3/8" = 1'-0"



2 DBL QUEEN STUDIO
SCALE: 3/8" = 1'-0"



1 DBL QUEEN STUDIO
SCALE: 3/8" = 1'-0"

Order Plans @

WWW.LDILine.com