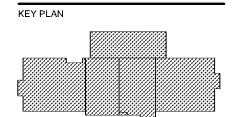




**HOME 2  
SUITES  
BELMONT**

HAWLEY AVE  
BELMONT, NC 28012

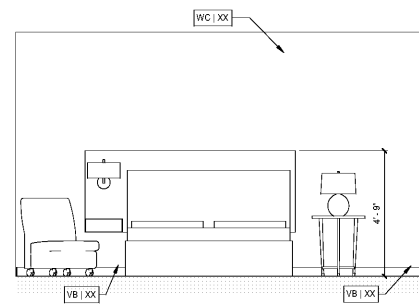


Revisions		
#	Date	Description

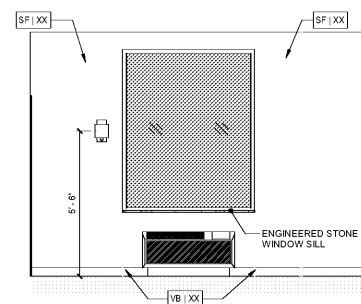
Project Number: 18021  
Issued for: CONSTRUCTION  
Issue Date: 2019-06-07

DRAWING TITLE  
**GUESTROOM  
ELEVATIONS - KING  
SUITE ADA RIS, TUB**

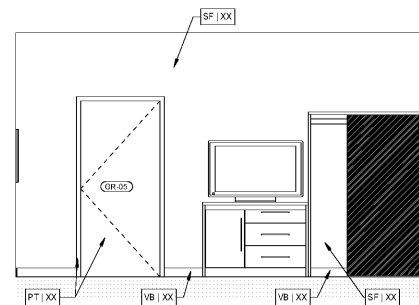
SHEET NUMBER  
**ID.604**



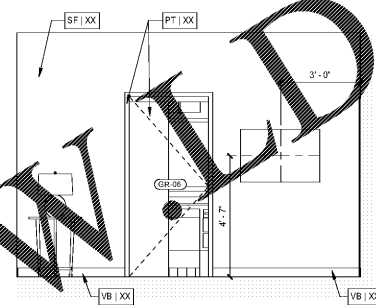
**8 KING SUITE ADA**  
SCALE: 3/8" = 1'-0"



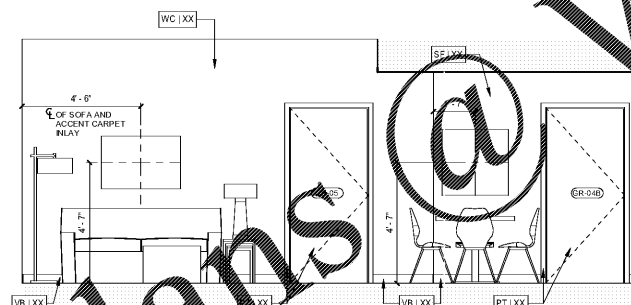
**7 KING SUITE ADA**  
SCALE: 3/8" = 1'-0"



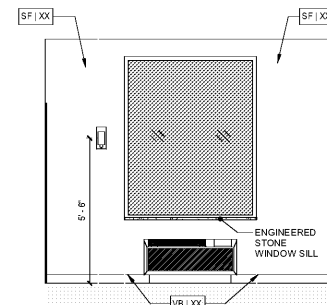
**6 KING SUITE ADA**  
SCALE: 3/8" = 1'-0"



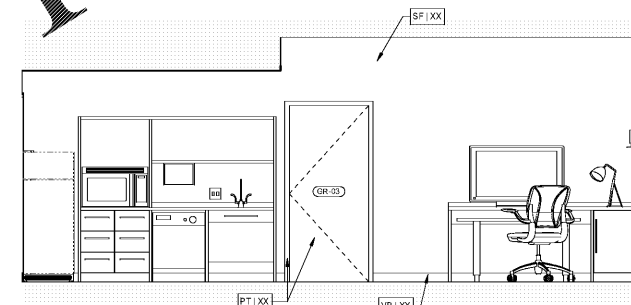
**5 KING SUITE ADA**  
SCALE: 3/8" = 1'-0"



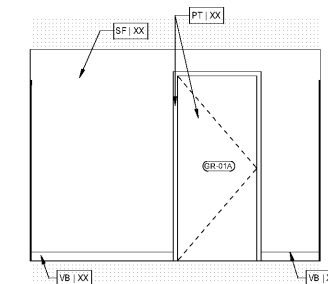
**4 KING SUITE ADA**  
SCALE: 3/8" = 1'-0"



**3 KING SUITE ADA**  
SCALE: 3/8" = 1'-0"



**2 KING SUITE ADA**  
SCALE: 3/8" = 1'-0"



**1 KING SUITE ADA**  
SCALE: 3/8" = 1'-0"

Order Plans @ WWW.DILine.com