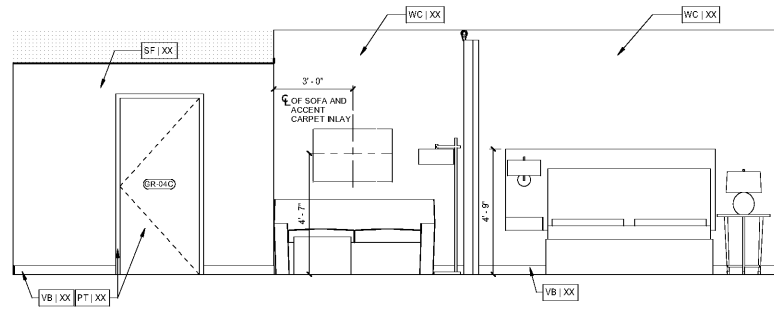


Revisions		
#	Date	Description

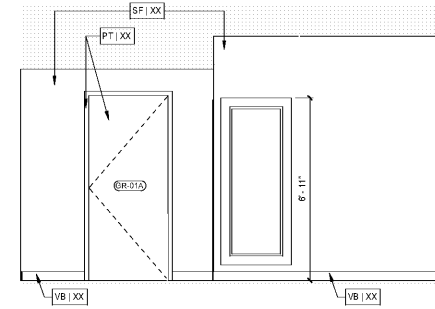
Project Number: 18021
Issued for: CONSTRUCTION
Issue Date: 2019-06-07

DRAWING TITLE
GUESTROOM
ELEVATIONS - KING
STUDIO ADA RIS,
TUB

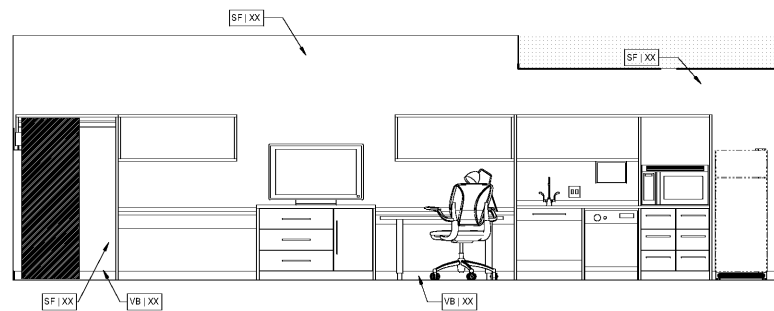
SHEET NUMBER
ID.603



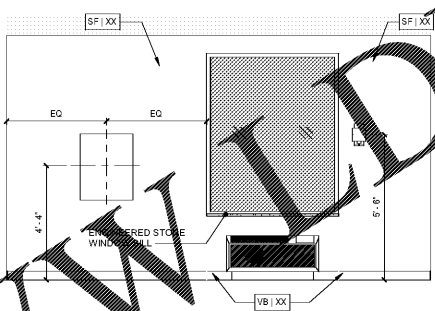
8 KING STUDIO ADA TUB
SCALE: 3/8" = 1'-0"



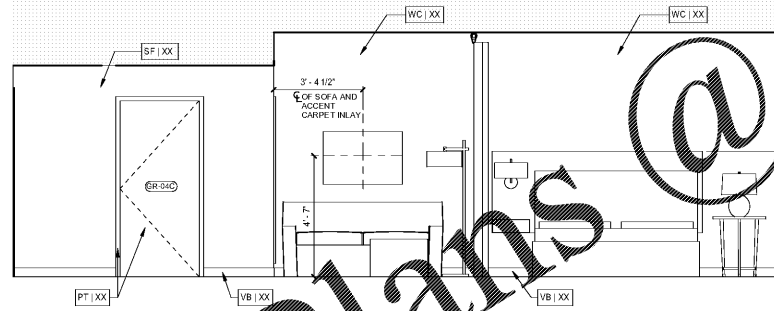
7 KING STUDIO ADA TUB
SCALE: 3/8" = 1'-0"



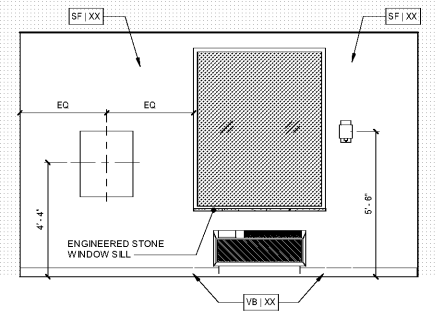
6 KING STUDIO ADA TUB
SCALE: 3/8" = 1'-0"



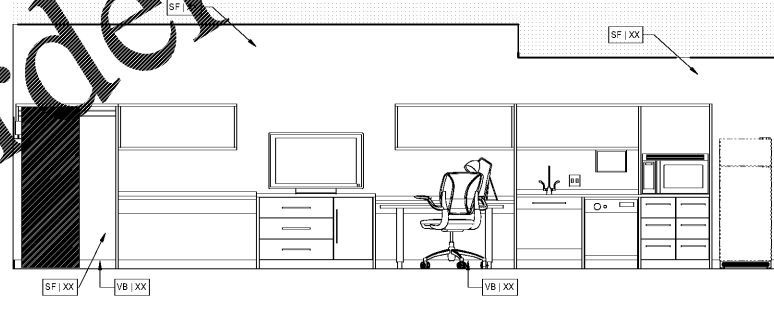
5 KING STUDIO ADA TUB
SCALE: 3/8" = 1'-0"



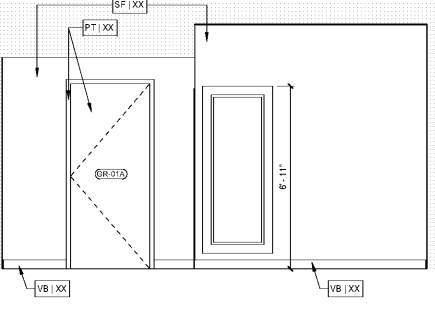
4 KING STUDIO ADA RIS
SCALE: 3/8" = 1'-0"



3 KING STUDIO ADA RIS
SCALE: 3/8" = 1'-0"



2 KING STUDIO ADA RIS
SCALE: 3/8" = 1'-0"



1 KING STUDIO ADA RIS
SCALE: 3/8" = 1'-0"

Order Plans @

WWW.DILine.com