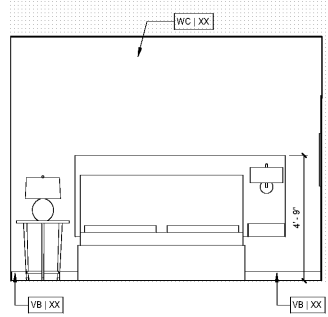


Revisions		
#	Date	Description

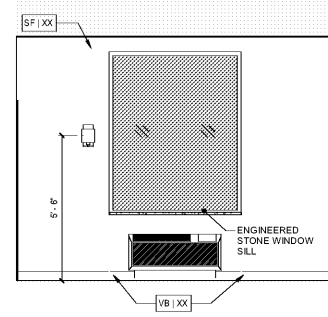
Project Number: 18021
Issued for: CONSTRUCTION
Issue Date: 2019-06-07

DRAWING TITLE
GUESTROOM
ELEVATIONS - KING
SUITE, KING SUITE
END UNIT

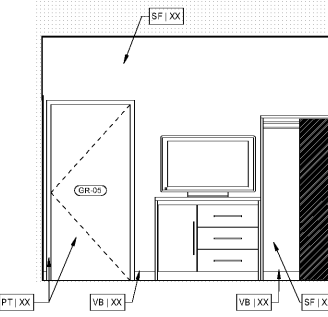
SHEET NUMBER
ID.602



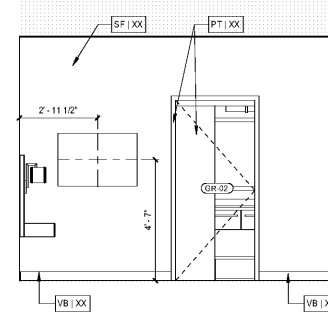
16 KING SUITE END
SCALE: 3/8" = 1'-0"



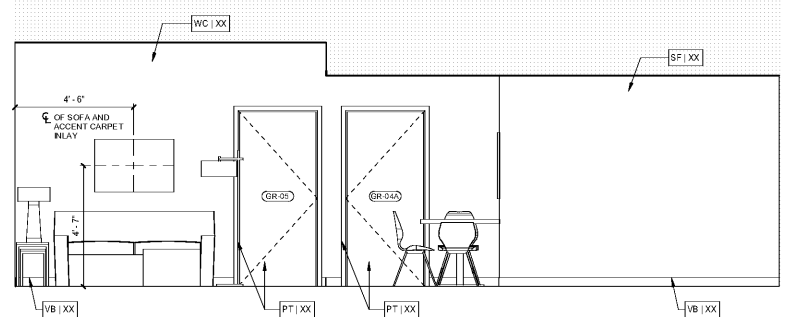
15 KING SUITE END
SCALE: 3/8" = 1'-0"



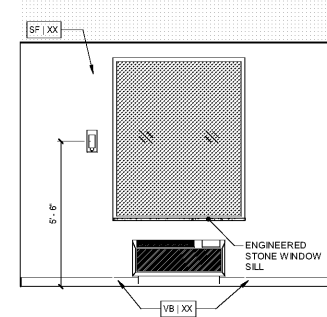
14 KING SUITE END
SCALE: 3/8" = 1'-0"



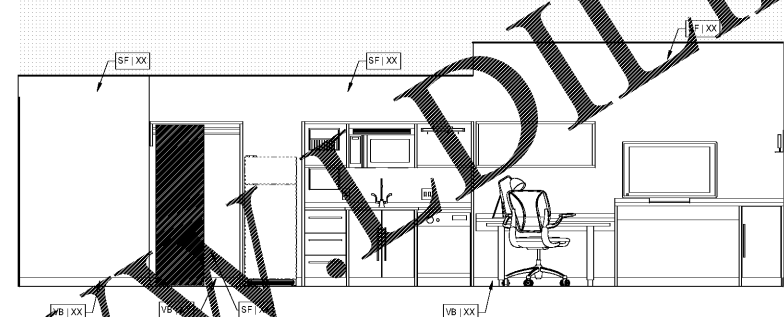
13 KING SUITE END
SCALE: 3/8" = 1'-0"



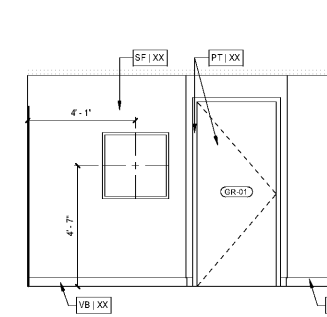
12 KING SUITE END
SCALE: 3/8" = 1'-0"



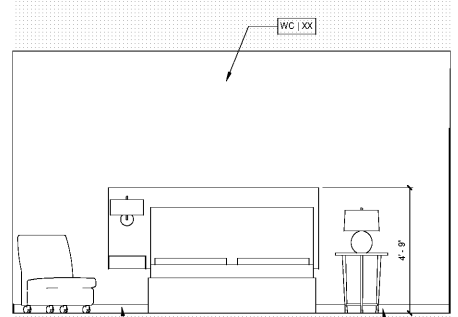
11 KING SUITE END
SCALE: 3/8" = 1'-0"



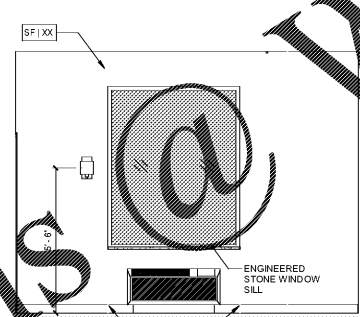
10 KING SUITE END
SCALE: 3/8" = 1'-0"



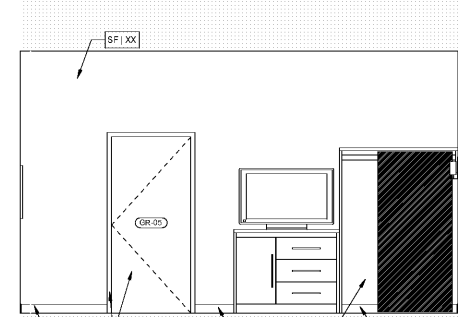
9 KING SUITE END
SCALE: 3/8" = 1'-0"



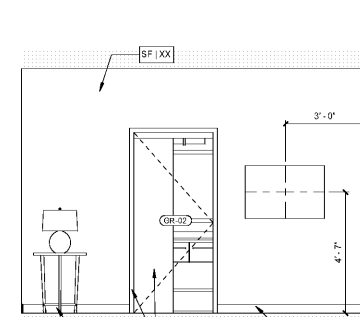
8 KING SUITE
SCALE: 3/8" = 1'-0"



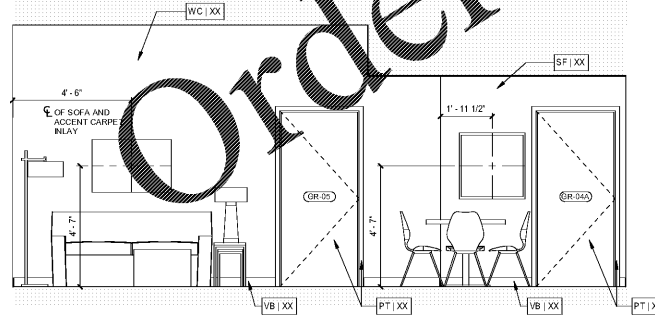
7 KING SUITE
SCALE: 3/8" = 1'-0"



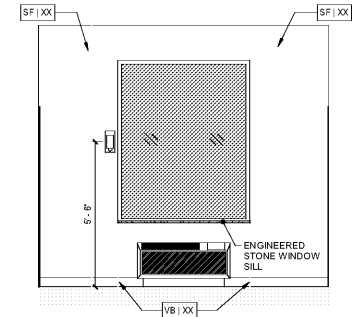
6 KING SUITE
SCALE: 3/8" = 1'-0"



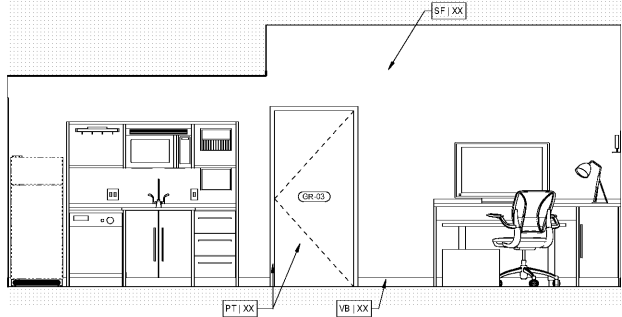
5 KING SUITE
SCALE: 3/8" = 1'-0"



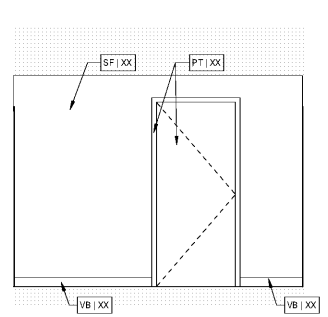
4 KING SUITE
SCALE: 3/8" = 1'-0"



3 KING SUITE
SCALE: 3/8" = 1'-0"



2 KING SUITE
SCALE: 3/8" = 1'-0"



1 KING SUITE
SCALE: 3/8" = 1'-0"

Order Plans @ www.WDIDLine.com