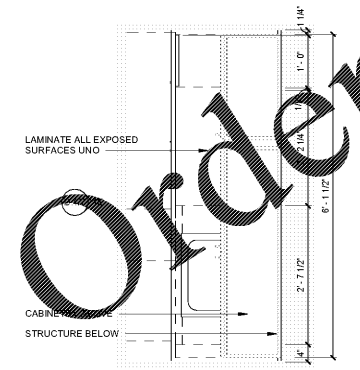
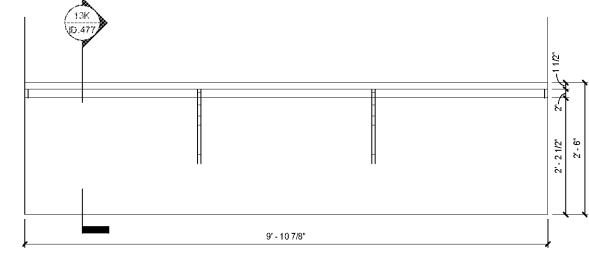
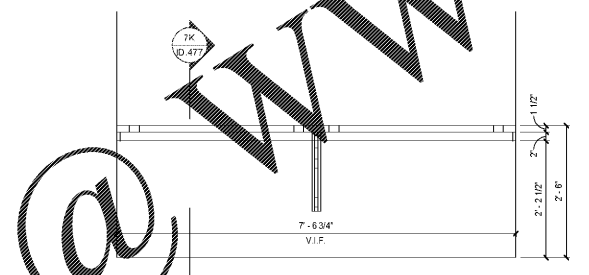
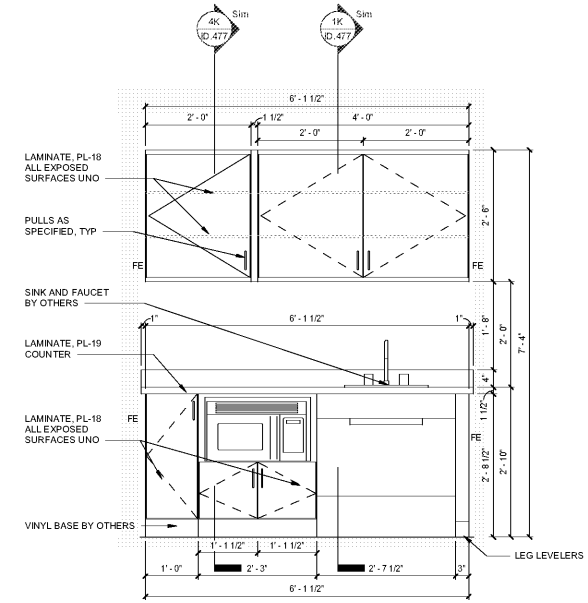
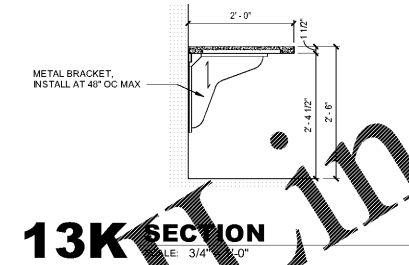
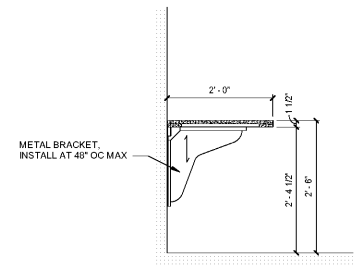
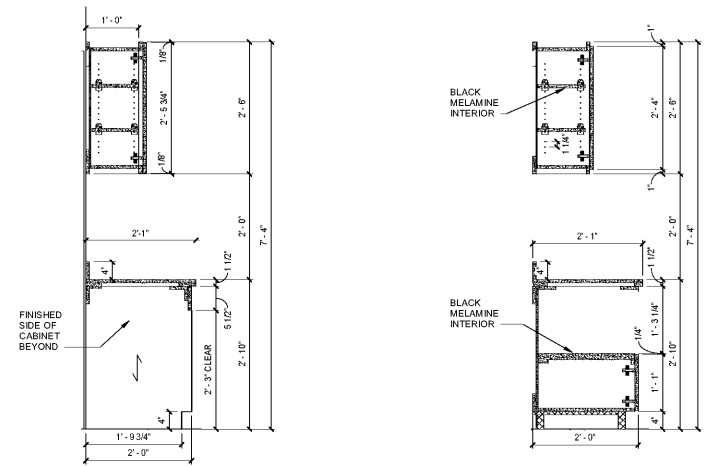


Revisions		
#	Date	Description

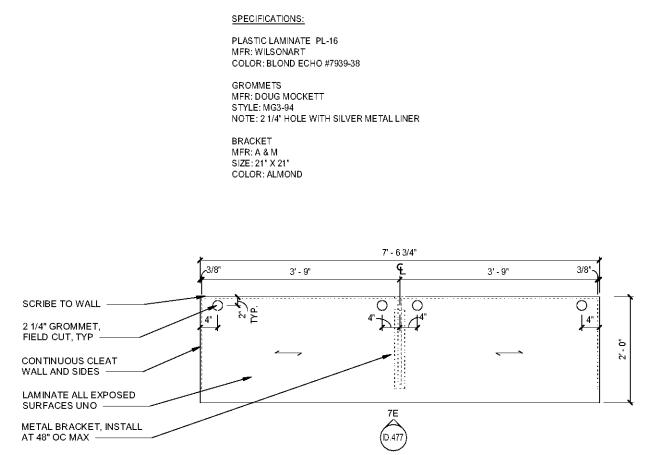
Project Number: 18021
Issued for: CONSTRUCTION
Issue Date: 2019-06-07

DRAWING TITLE
CASEWORK - WORK
STATION, MNGR'S
WORK SURFACE, &
EMP. BREAK ROOM

SHEET NUMBER
ID.477



- SPECIFICATIONS:
- PLASTIC LAMINATE PL-16
MFR: WILSONART
COLOR: BLOND ECHO #7939-38
 - PLASTIC LAMINATE PL-17
MFR: WILSONART
COLOR: EVENING TIGRIS #4674-60
 - HINGES
MFR: BLUM
STYLE: 89T1T5590BP173H9100
 - SHELF PINS
MFR: PROGRESSIVE
STYLE: P739NP
 - PULLS
MFR: BERENSON
STYLE: 6131-2SC-P



- SPECIFICATIONS:
- PLASTIC LAMINATE PL-16
MFR: WILSONART
COLOR: BLOND ECHO #7939-38
 - GROMMETS
MFR: DOUG MOCKETT
STYLE: M63-94
NOTE: 2 1/4" HOLE WITH SILVER METAL LINER
 - BRACKET
MFR: A & M
SIZE: 21" X 21"
COLOR: ALMOND

- SPECIFICATIONS:
- PLASTIC LAMINATE PL-16
MFR: WILSONART
COLOR: BLOND ECHO #7939-38
 - GROMMETS
MFR: DOUG MOCKETT
STYLE: M63-94
NOTE: 2 1/4" HOLE WITH SILVER METAL LINER
 - BRACKET
MFR: A & M
SIZE: 21" X 21"
COLOR: ALMOND

