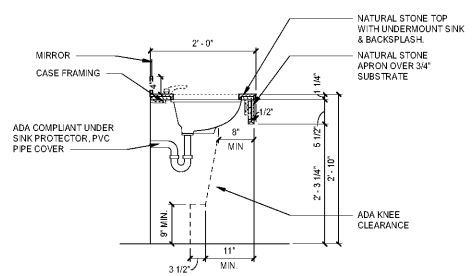


Revisions		
#	Date	Description

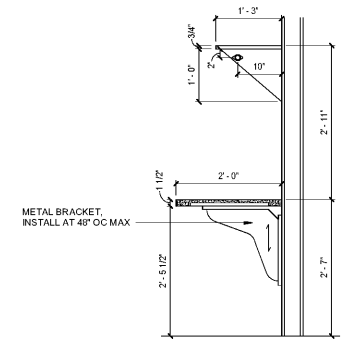
Project Number: 18021
Issued for: CONSTRUCTION
Issue Date: 2019-06-07

DRAWING TITLE
CASEWORK -
BUSINESS CENTER,
A, GUEST LAUNDRY,
& VANITY

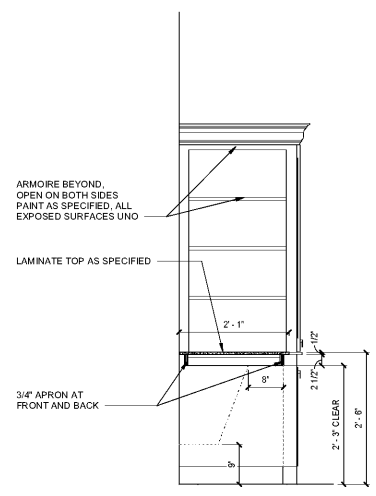
SHEET NUMBER
ID.475



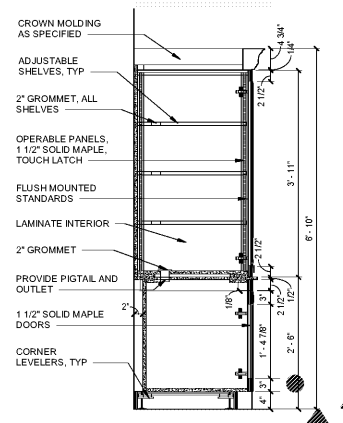
1K SECTION
SCALE: 3/4" = 1'-0"



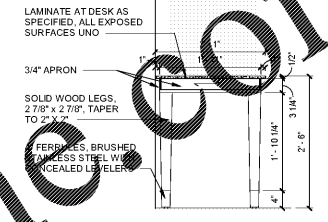
5K SECTION
SCALE: 3/4" = 1'-0"



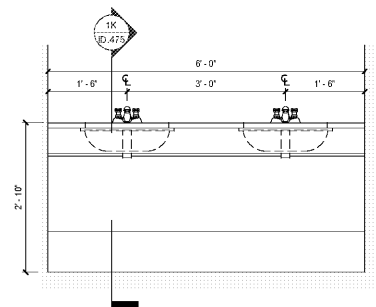
10K SECTION
SCALE: 3/4" = 1'-0"



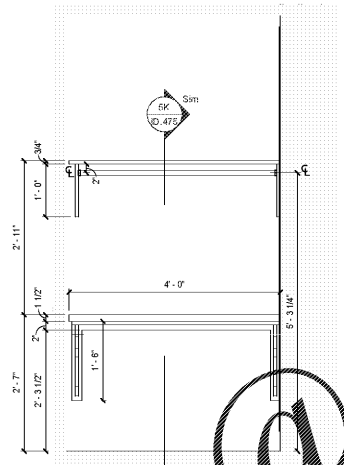
13K SECTION
SCALE: 3/4" = 1'-0"



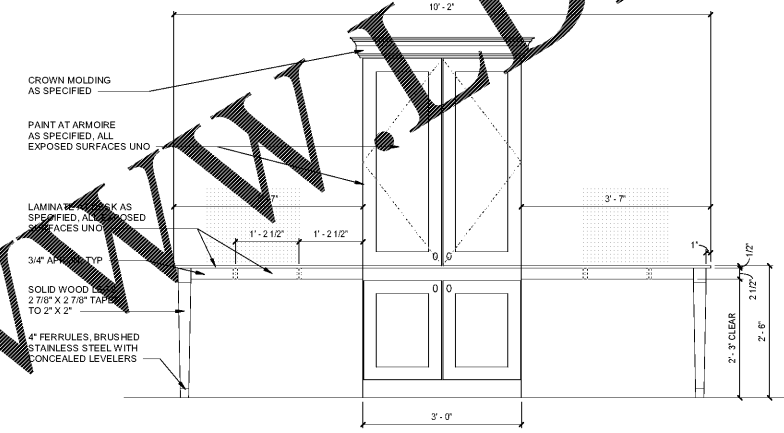
16K SECTION
SCALE: 3/4" = 1'-0"



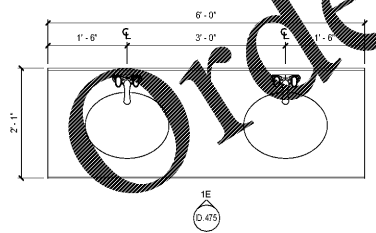
1E ELEVATION
SCALE: 3/4" = 1'-0"



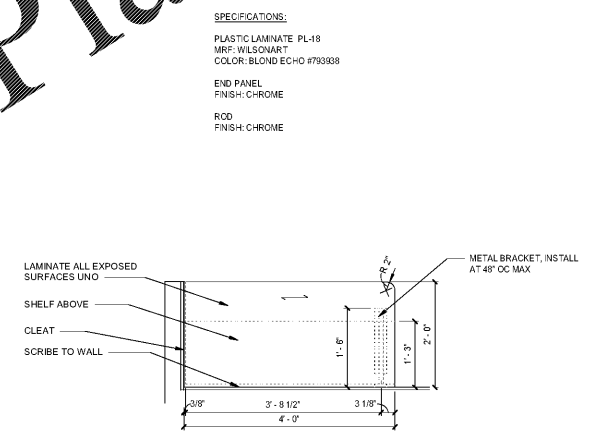
5E ELEVATION
SCALE: 3/4" = 1'-0"



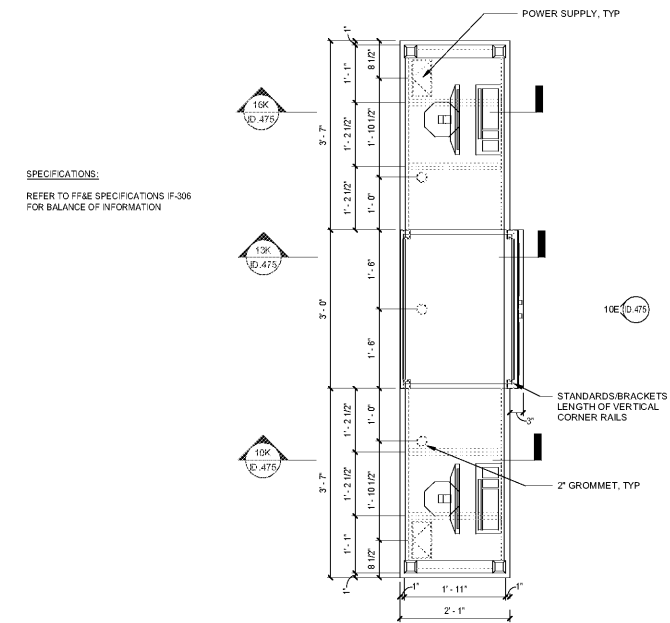
10E ELEVATION
SCALE: 3/4" = 1'-0"



1A PLAN - VANITY
SCALE: 3/4" = 1'-0"



5A PLAN - GUEST LAUNDRY
SCALE: 3/4" = 1'-0"



10A PLAN - BUSINESS CENTER
SCALE: 3/4" = 1'-0"