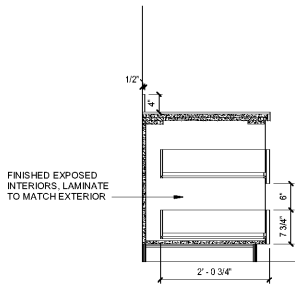
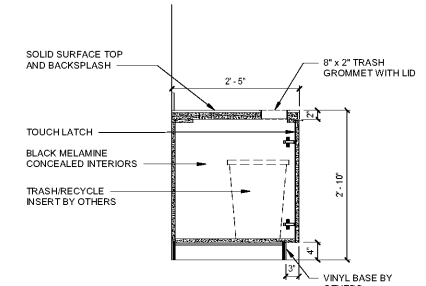


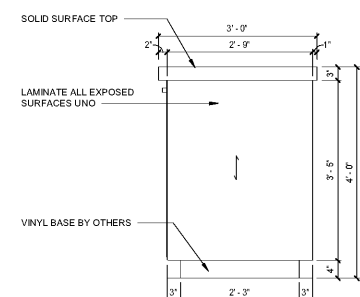
1K SECTION
SCALE: 3/4" = 1'-0"



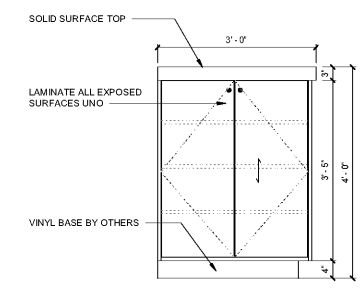
7K SECTION
SCALE: 3/4" = 1'-0"



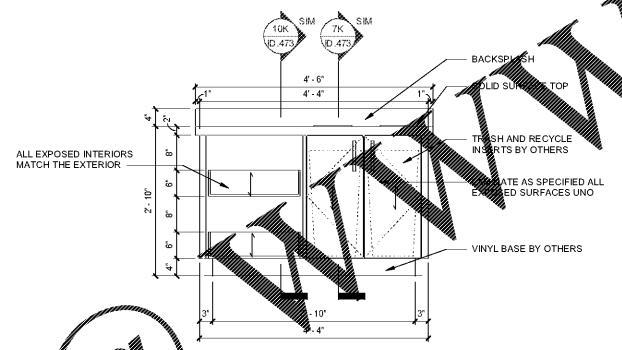
10K SECTION
SCALE: 3/4" = 1'-0"



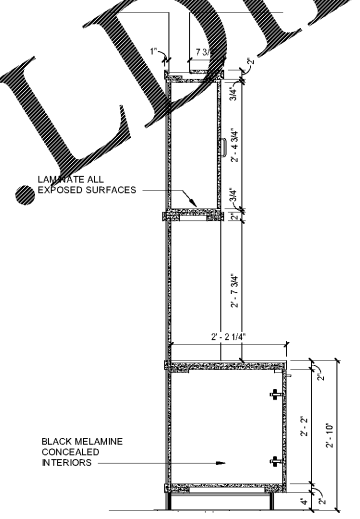
1E ELEVATION
SCALE: 3/4" = 1'-0"



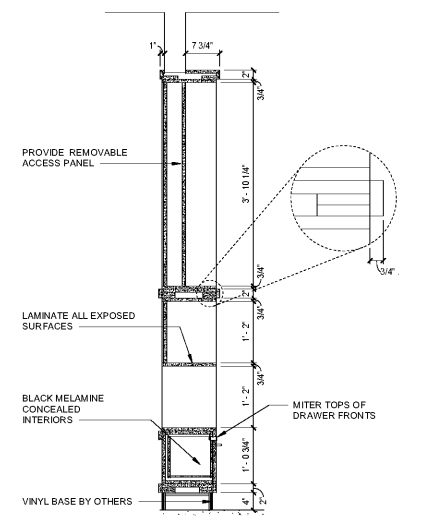
4E ELEVATION
SCALE: 3/4" = 1'-0"



7E ELEVATION
SCALE: 3/4" = 1'-0"

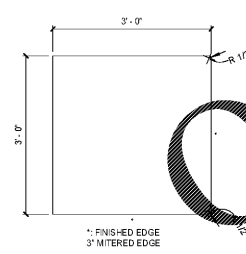


16E SECTION
SCALE: 3/4" = 1'-0"



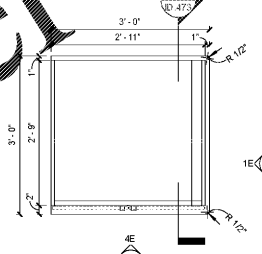
13E SECTION
SCALE: 3/4" = 1'-0"

SPECIFICATIONS:
REFER TO FF&E SPECIFICATIONS F-304
FOR BALANCE OF INFORMATION



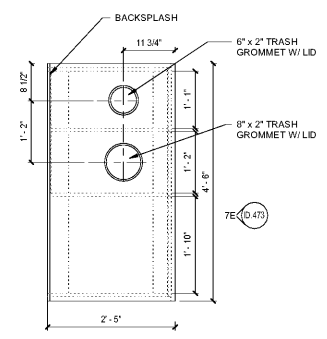
1A PLAN - COUNTER TOP
SCALE: 3/4" = 1'-0"

SPECIFICATIONS:
REFER TO FF&E SPECIFICATIONS F-303
FOR BALANCE OF INFORMATION

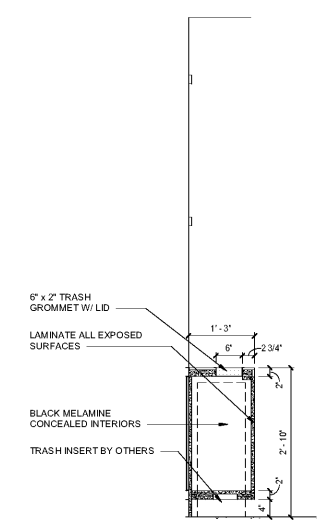


4A PLAN - HOME2 MARKET
SCALE: 3/4" = 1'-0"

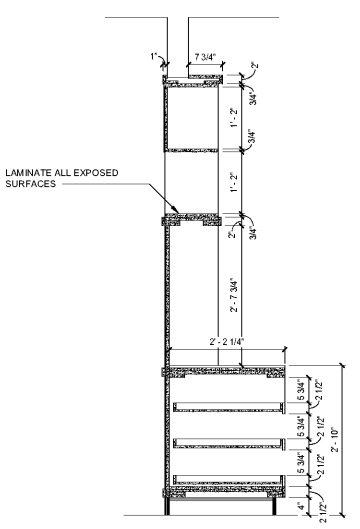
SPECIFICATIONS:
REFER TO FF&E SPECIFICATIONS F-303
FOR BALANCE OF INFORMATION



7A PLAN - DISH RECOVERY
SCALE: 3/4" = 1'-0"



16A SECTION - MEDIA/COFFEE
SCALE: 3/4" = 1'-0"



13A SECTION
SCALE: 3/4" = 1'-0"

Order Plans @ WWW.LDILine.com