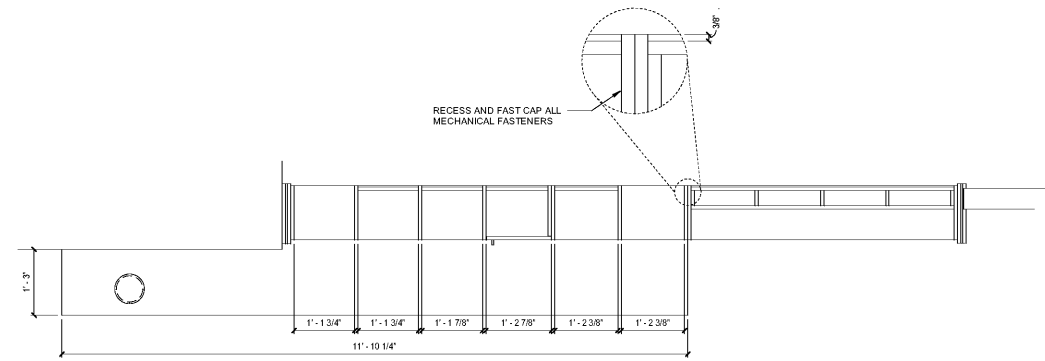
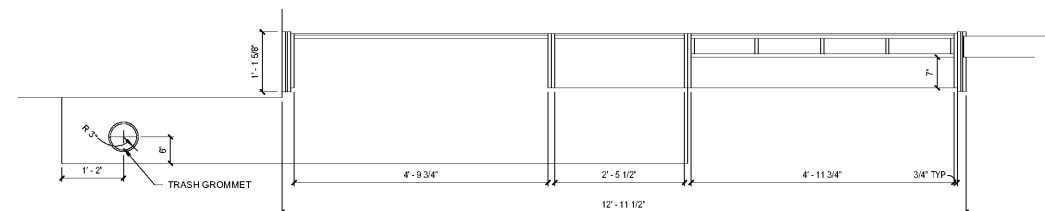


Revisions		
#	Date	Description

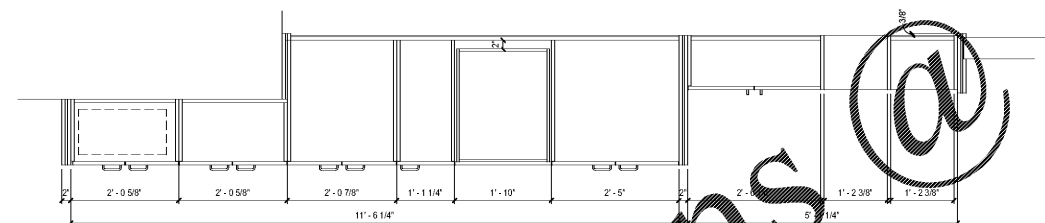
1L SECTION
SCALE: 3/4" = 1'-0"



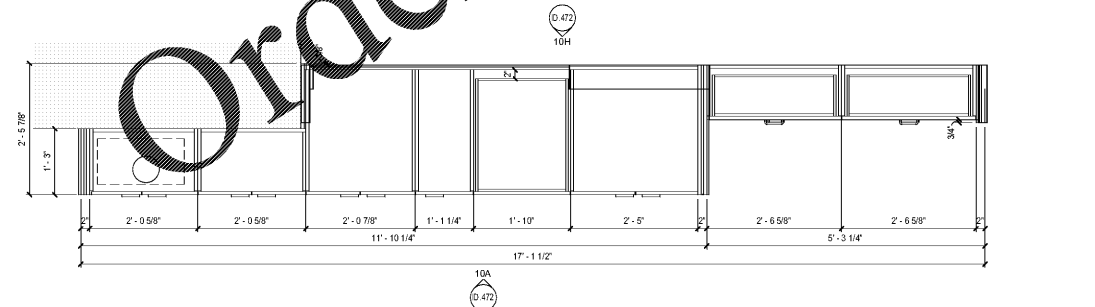
1H SECTION
SCALE: 3/4" = 1'-0"



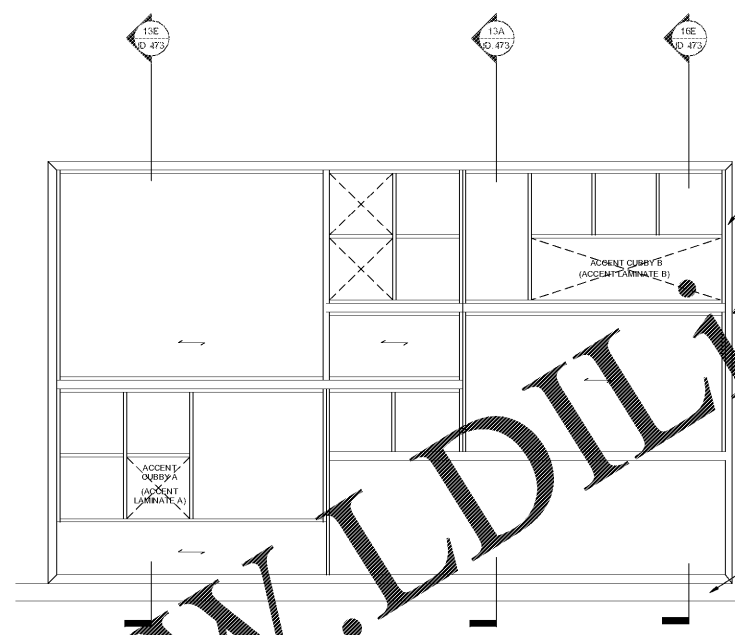
1E SECTION
SCALE: 3/4" = 1'-0"



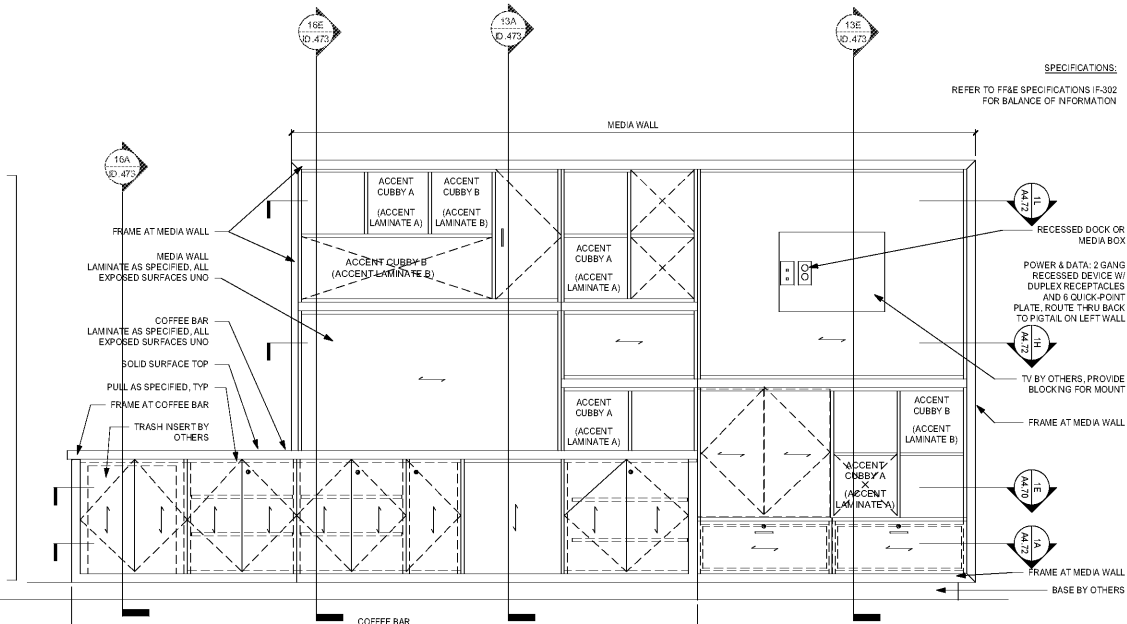
1 SECTION - MEDIA WALL AND COFFEE BAR
SCALE: 3/4" = 1'-0"



10H REAR ELEVATION
SCALE: 3/4" = 1'-0"



10A COFFEE BAR
SCALE: 3/4" = 1'-0"



Order Plans @ WWW.IDILING.COM