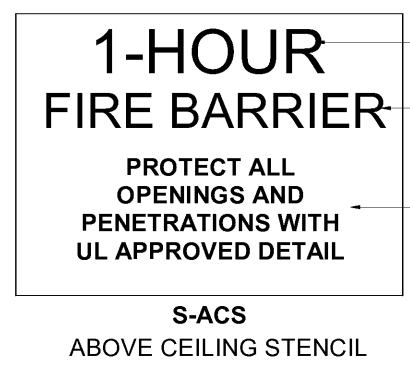


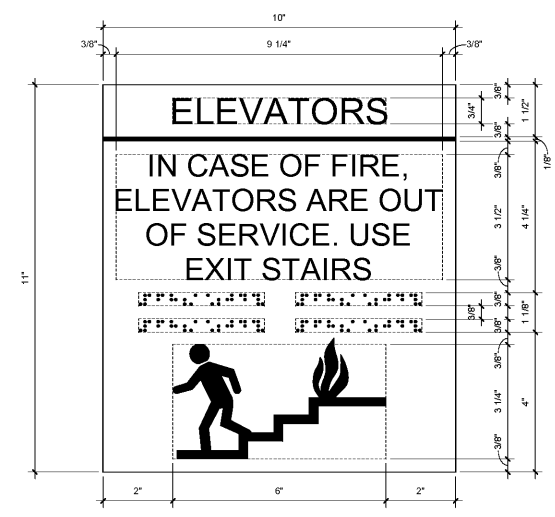
Revisions		
#	Date	Description

SIGNAGE NOTES:

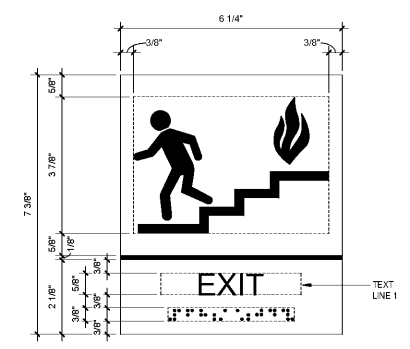
- ALL SIGNAGE IS TO FOLLOW THE CAMBRIDGE INTERIOR SIGNAGE DESIGN GUIDELINES. INFORMATION PROVIDED HEREIN IS A MINIMUM STANDARD TO BE MET FOR CODE COMPLIANCE AND IS SHOWN AS BASIS-OF-DESIGN INTENT. COORDINATE WITH THE OWNER'S SIGNAGE VENDOR FOR FINAL SIGN DESIGN.
- ALL ROOMS SHALL RECEIVE SIGNAGE WHETHER SPECIFICALLY INDICATED OR NOT.
- SEE LIFE SAFETY PLANS FOR ABOVE CEILING STENCIL REQUIREMENTS AT RATED WALLS.
- ALL FIRE EXTINGUISHER CABINETS AND WALL MOUNTED FIRE EXTINGUISHER LOCATIONS SHALL RECEIVE SIGNAGE.
- SIGNAGE AT DOORS SHALL BE LOCATED SO THAT A CLEAR FLOOR AREA (18"x18" MINIMUM, CENTERED ON THE SIGN, IS PROVIDED BEYOND THE ARC OF ANY DOOR SWINGS BETWEEN THE CLOSED POSITION AND 45 DEGREE OPEN POSITION).
- ALL INTERIOR AND EXTERIOR SIGNAGE TO BE INSTALLED IN ACCORDANCE WITH MANUFACTURER'S RECOMMENDATIONS.
- COORDINATE FINAL SIGNAGE WORDING WITH OWNER'S SIGNAGE VENDOR.
- ALL SIGNAGE LETTERS, NUMERALS, PICTOGRAMS, AND TABLET LETTERS (CHARACTERS) SHALL BE RAISED TYPE (RIBBED) 1/8" FROM THE BACKGROUND (UNLESS SPECIFIED OTHERWISE). CAPITAL LETTERS SHALL BE 1/8" HIGH (UNLESS OTHERWISE NOTED).
- SIGNAGE RELATED TO THE EXTINGUISHER AND FIRE PROTECTION AND FIRE SERVICE TO BE SOLID RED WITH REFLECTIVE WHITE STROKE & TEXT.
- SIGNAGE CHARACTERISTICS: SURFACES ON WHICH SIGNAGE IS TO BE LOCATED SHALL BE BLANK, UNFINISHED (SEMI-MATTE PLATE) OR OTHER NON-GLOSS FINISH ONLY. ALL SIGNAGE CHARACTERISTICS SHALL CONTRAST WITH THE BACKGROUND ON WHICH THEY ARE MOUNTED EITHER BY MOUNTING CHARACTERS ON A DARK BACKGROUND OR DARK MOUNTING ON A LIGHT BACKGROUND (TYP.).
- COORDINATE ALL FIRE ALARM "PULL BOX" SIGNAGE WITH ELECTRICAL FIRE ALARM DRAWING SHEETS.
- ALL SIGNAGE REQUIRING PICTOGRAMS SHALL HAVE A BORDER DIMENSION OF 2" (TYP.) UNLESS TRUCKED FIELD WITH WHICH THE PICTOGRAM IS LOCATED.
- ALL INTERIOR SIGNAGE TO BE MOUNTED SO THAT TACTILE CHARACTERS ARE 48" MINIMUM ABOVE THE FLOOR, MEASURED FROM THE BASELINE OF THE LOWEST TACTILE CHARACTER AND 60" MAXIMUM ABOVE THE FLOOR, MEASURED TO THE BASELINE OF THE HIGHEST TACTILE CHARACTER.
- ALL SIGNS DESIGNATING PERMANENT ROOMS AND SPACES SHALL BE LOCATED ADJACENT TO THE STRIKE JAMB, LATCH SIDE OF THE DOOR (TYP.), IF NO WALL SPACE ADJACENT TO THE STRIKE JAMB IS AVAILABLE, THEN THE SIGNS SHALL BE PLACED ON THE NEAREST ADJACENT WALL OR PARTITION UNLESS OTHERWISE NOTED. THE MOUNTING LOCATION SHALL BE SUCH THAT A PERSON CAN APPROACH TO WITHIN 2" OF THE SIGN WITHOUT ENCOUNTERING ANY PROTRUDING OBJECTS OR HAVING TO STAND WITHIN THE SWING OF THE DOOR. LOCATION OF SIGNS SHALL COMPLY WITH ALL APPLICABLE CODES.
- ALL SIGNAGE LETTERS, NUMERALS, PICTOGRAMS, AND BRaille LETTERS VARY. SIGNAGE VENDOR TO COORDINATE EACH SIGN WITH ROOM CHANGE AND ADA REQUIREMENTS.
- SEE LIFE SAFETY PLANS, LEGENDS, FLOOR PLANS, AND ENLARGED PLANS FOR LOCATION OF REQUIRED SIGNAGE.



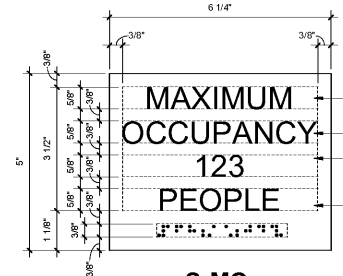
100 PT. TEXT, MATCH RATING AS INDICATED BY PARTITION TYPE DESIGNATION
72 PT. TEXT
42 PT. TEXT
NOTE: FOR ALL RATED WALLS THAT GO ABOVE THE CEILING STENCIL THIS SIGN AT THE FLEMEN SPACE ON BOTH SIDES OF THE RATED WALL WITH PERMANENT PAINT. NOTE SHOULD BE LOCATED AS NECESSARY FOR CLEAR VISIBILITY AND 15-FEET ON CENTER MAXIMUM ALONG RATED WALL.



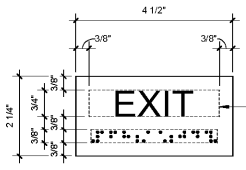
S-EL
ELEVATOR SIGN



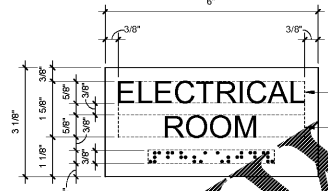
S-ESS
EXIT STAIR SIGN



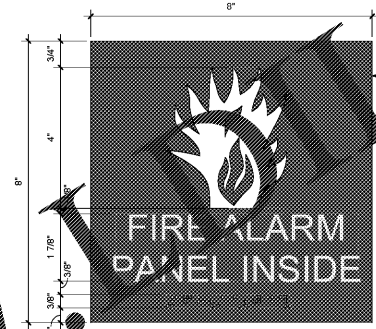
S-MO
OCCUPANT LOAD SIGN



S-ES
EXIT SIGN



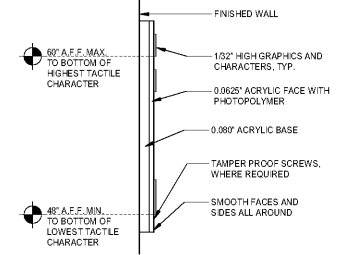
S-ER
ELECTRICAL ROOM SIGN



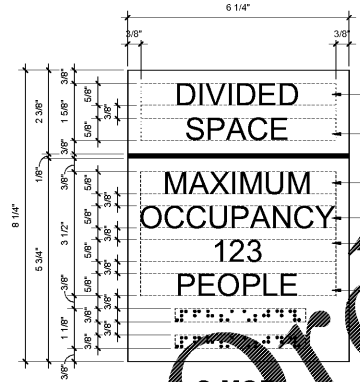
S-FA
FIRE ALARM SIGN



S-FS
FIRE ALARM SIGN



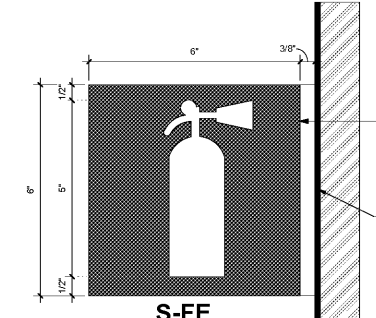
TYPICAL SIGN SECTION



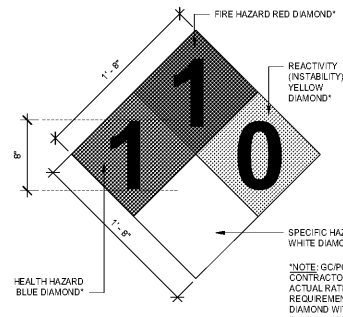
S-MOF
OCCUPANT LOAD SIGN AT FLEXIBLE SPACES



S-SL
STAIR LANDING SIGN



S-FE
FIRE EXTINGUISHER SIGN



S-HMD
HAZARDOUS MATERIAL DIAMOND