

KEY PLAN

Revisions

#	Date	Description

GLAZING ASSEMBLY TYPES:
BASIS-OF-DESIGN

DESIGNATION	DESCRIPTION
G1	OUTBOARD LITE: • Glass Type: Clear Float Glass • Thickness: 1/4" • Strength: Annealed • Coating (Low-E): Guardian SunGuard SNX 62/27 on Surface #2 AIR SPACE: • Thickness: 1/2" • Gas Fill: Air INBOARD LITE: • Glass Type: Clear Float Glass • Thickness: 1/4" • Strength: Annealed
G2	OUTBOARD LITE: • Glass Type: Clear Float Glass • Thickness: 1/4" • Strength: Fully Tempered Safety Glass • Coating (Low-E): Guardian SunGuard SNX 62/27 on Surface #2 AIR SPACE: • Thickness: 1/2" • Gas Fill: Air INBOARD LITE: • Glass Type: Clear Float Glass • Thickness: 1/4" • Strength: Fully Tempered Safety Glass
G3	SINGLE LITE: • Glass Type: Clear Float Glass • Thickness: 1/4" • Strength: Annealed
G4	SINGLE LITE: • Glass Type: Clear Float Glass • Thickness: 1/4" • Strength: Fully Tempered Safety Glass
A1	OUTBOARD LITE: • Glass Type: Clear Float Glass • Thickness: 1/4" • Strength: Fully Tempered Safety Glass • Coating (Low-E): Guardian SunGuard SNX 62/27 on Surface #2 AIR SPACE: • Thickness: 1/2" • Gas Fill: Air INBOARD LITE: • Glass Type: Clear Float Glass • Thickness: 1/4" • Strength: Fully Tempered Safety Glass • Coating: Indian Sandblanco (Acid Etched) on Surface #3
GF-45	SINGLE LITE: • Glass Type: Clear Fire-Rated Ceramic • Thickness: 3/16" • Strength: Fully Tempered Safety Glass • Tested: CH-45, Meets Fire Window Assembly Criteria including the Hose Stream Test per NFPA 257 or UL9; or W-30, Meets Wall Assembly Criteria per ASTM E119 or UL 263
GG	SINGLE LITE: • Glass Type: Clear Float Glass • Thickness: 1/4" • Strength: Annealed • Coating: Signature Green Glass with Brand Logo
PSVF	PRESSURE SENSITIVE VINYL FILM: • Where Indicated, Apply 3.2 MIL 3M Glass Finish, Dusted Crystal 7729SE-314

FRAME ASSEMBLY TYPES:

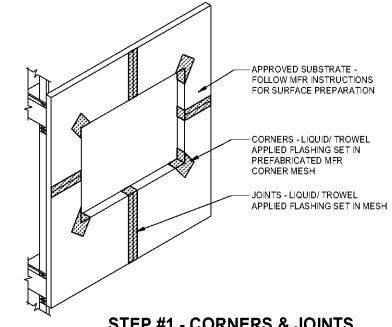
FRAME TYPE DESIGNATION	FRAME TYPE DESCRIPTION
W1 / W1A	WINDOW SYSTEM
W2	WINDOW SYSTEM
W3	STOREFRONT SYSTEM
W4	WINDOW SYSTEM
W5	WINDOW SYSTEM
W6	STOREFRONT SYSTEM
W7	WINDOW SYSTEM
W8	WINDOW SYSTEM
W9	STOREFRONT SYSTEM
W10	WINDOW SYSTEM
W11	WINDOW SYSTEM

NOTE: ALL EXTERIOR WINDOW AND STOREFRONT SYSTEM HEAD CONDITIONS SHALL HAVE A WELDED FORMED METAL FRAMED BOX HEAD FILLED WITH FOAMED-IN-PLACE INSULATION (FOAM-IN-PLACE). REFER TO ENLARGED DETAIL FOR MORE INFORMATION.

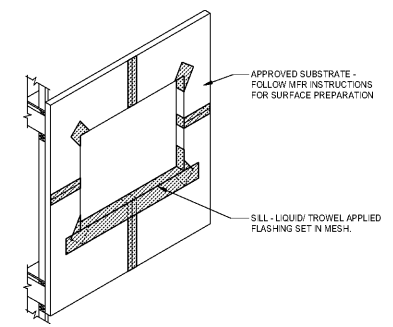
BASIS-OF-DESIGN GLAZING ASSEMBLY SPECIFICATIONS:

VISIBLE LIGHT TRANSMITTANCE:	0.80
REFLECTANCE COEFFICIENT:	0.20
U-VALUE:	0.29
SHADING COEFFICIENT:	0.31
SOLAR HEAT GAIN COEFFICIENT:	0.27
LIGHT TO SOLAR RATIO IN LSG:	2.30

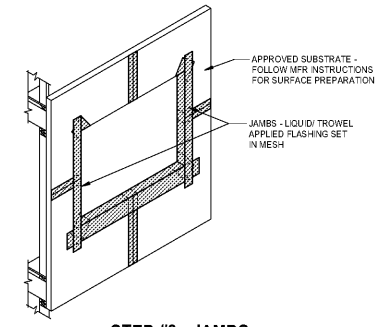
- GENERAL NOTES:**
- AIR & WATER-RESISTIVE BARRIER OPENING DETAILS ARE REPRESENTATIVE OF INDUSTRY STANDARD INSTALLATION.
 - PROJECT SPECIFIC INSTALLATION SHALL FOLLOW APPROVED MANUFACTURER'S DETAILS.
 - ARCHITECT'S PREFERENCE IS TO HAVE A SINGLE CONTINUOUS PRODUCT USED AT ALL EXTERIOR SUBSTRATES. COORDINATE WITH EIFS MANUFACTURER'S TO MAINTAIN WARRANTIES.
 - IF A SUB-SILL IS UTILIZED AT OPENING FOLLOW MFR DETAILS FOR ADDITIONAL SILL FLASHING.



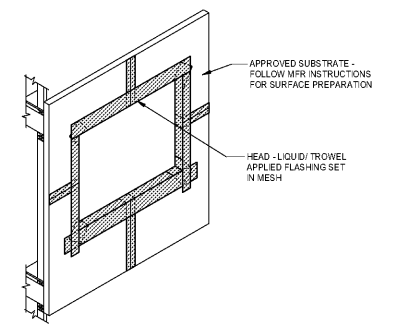
STEP #1 - CORNERS & JOINTS



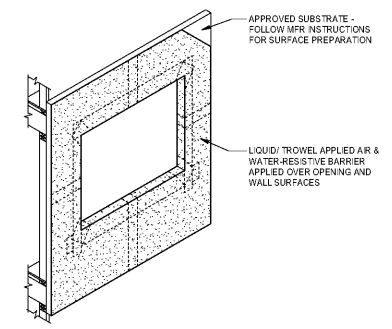
STEP #2 - SILL



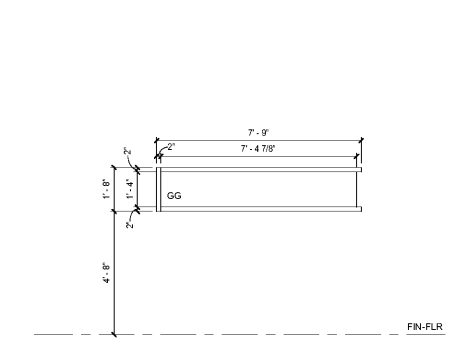
STEP #3 - JAMBS



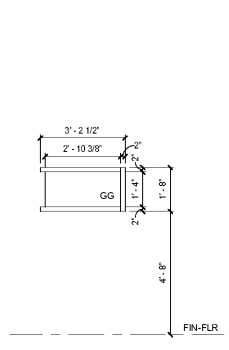
STEP #4 - HEAD



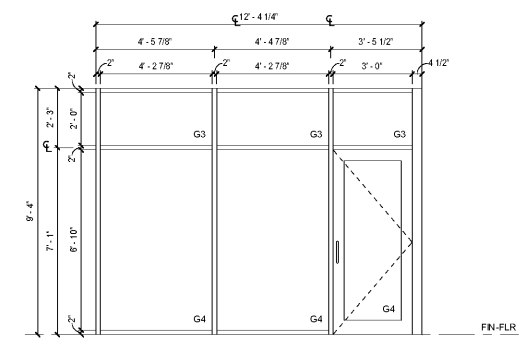
STEP #5 - SURFACES



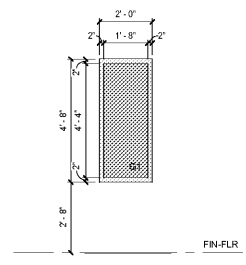
W11 FRAME TYPE W11
SCALE: 3/8" = 1'-0"



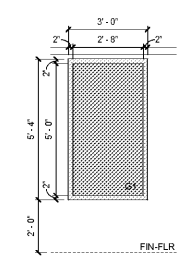
W10 FRAME TYPE W10
SCALE: 3/8" = 1'-0"



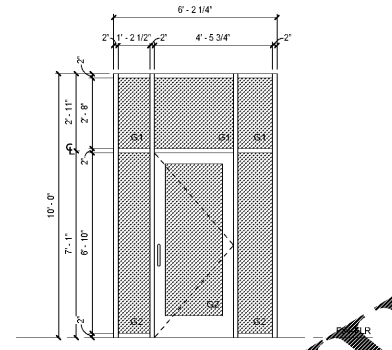
W9 FRAME TYPE W9
SCALE: 3/8" = 1'-0"



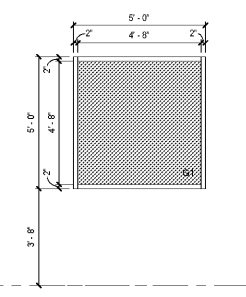
W8 FRAME TYPE W8
SCALE: 3/8" = 1'-0"



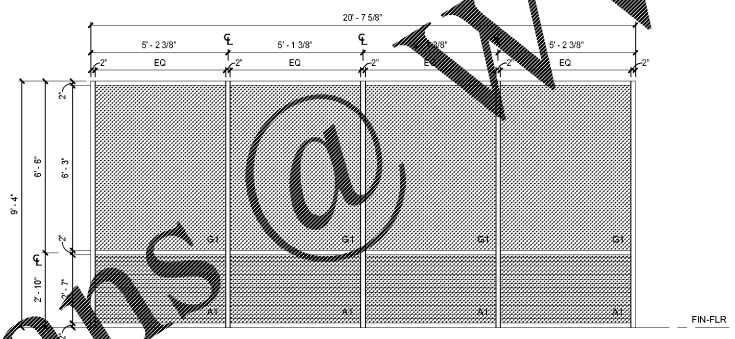
W7 FRAME TYPE W7
SCALE: 3/8" = 1'-0"



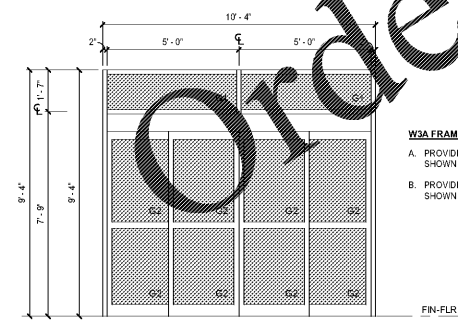
W6 FRAME TYPE W6
SCALE: 3/8" = 1'-0"



W5 FRAME TYPE W5
SCALE: 3/8" = 1'-0"

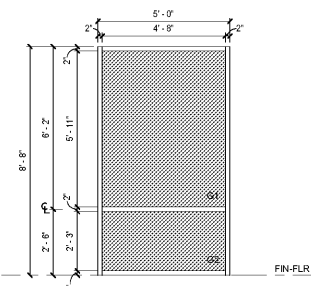


W4 FRAME TYPE W4
SCALE: 3/8" = 1'-0"

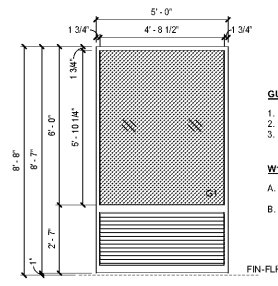


W3 FRAME TYPE W3
SCALE: 3/8" = 1'-0"

- W3A FRAME TYPE NOTES:**
- PROVIDE GLAZING TYPE 'G3' IN LIEU OF 'G1' SHOWN ON ELEVATION.
 - PROVIDE GLAZING TYPE 'G4' IN LIEU OF 'G2' SHOWN ON ELEVATION.



W2 FRAME TYPE W2
SCALE: 3/8" = 1'-0"



W1 FRAME TYPE W1
SCALE: 3/8" = 1'-0"

- GUEST ROOM WINDOWS GENERAL NOTES:**
- PTAC LOUVER TO MATCH WINDOW FRAME FINISH
 - SEE BUILDING ELEVATION SECTIONS FOR SILL HEIGHTS
 - WINDOWS STOREFRONT TO BE CLEAR ANNOZZED

- W1A FRAME TYPE NOTES:**
- PROVIDE PULL BLANK OFF PANEL AT FALSE PTAC UNIT LOUVER.
 - PROVIDE GLAZING TYPE 'A1' IN LIEU OF 'G1' SHOWN ON ELEVATION.