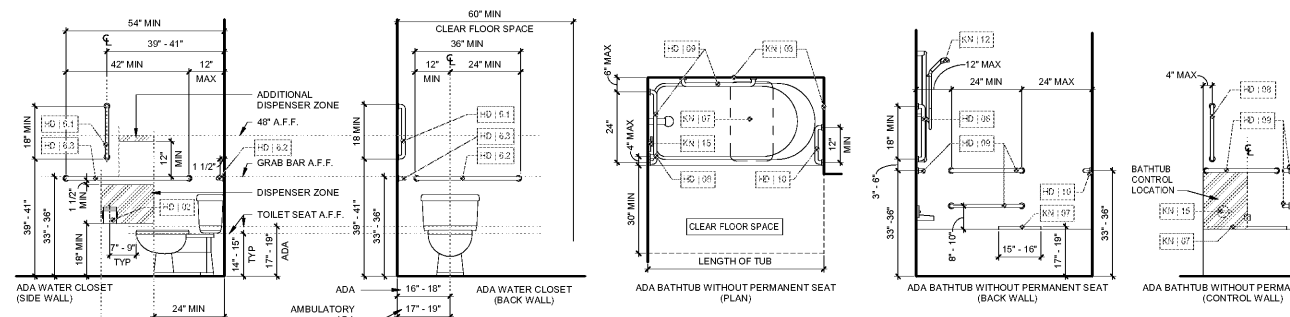




Revisions		
#	Date	Description



HD 02	SINGLE TOILET TISSUE DISPENSER	HD 16.1	WALL MOUNTED VERTICAL GRAB BAR 1-1/4" DIA. x 18" LONG	HD 11.1	WALL MOUNTED HORIZONTAL GRAB BAR 1-1/4" DIA. x 42" LONG	KN 03	SHOWER SURROUND	KN 12	HAND SHOWER AND SIDE BAR WITH ON/OFF CONTROL WITH NON-POSITIVE SHUT OFF
HD 03	DOUBLE TOILET TISSUE DISPENSER - UNDERMOUNT	HD 16.2	WALL MOUNTED HORIZONTAL GRAB BAR 1-1/4" DIA. x 36" LONG	HD 14	PERMANENT FOLDING SHOWER SEAT - SURFACE MOUNTED	KN 06.1	ACCESSIBLE VANITY UNIT (GF-303)	KN 13.1	VANITY MIRROR (GF-503)
HD 04	TOWEL HOOK - SURFACE MOUNTED	HD 16.3	WALL MOUNTED HORIZONTAL GRAB BAR 1-1/4" DIA. x 42" LONG	HD 16	SHOWER SOAP DISPENSER - SURFACE MOUNTED	KN 06.2	VANITY UNIT (GF-302)	KN 13.2	LIGHT FIXTURE (GF-203)
HD 05	BOWED SHOWER CURTAIN ROD - SURFACE MOUNTED	HD 16.4	WALL MOUNTED VERTICAL GRAB BAR 1-1/4" DIA. x 18" LONG			KN 07	ACCESSIBLE REMOVABLE TUB SEAT	KN 13	SHOWER CONTROLS - ON/OFF PRESSURE BALANCING VALVE
HD 06	STRAIGHT SHOWER CURTAIN ROD - SURFACE MOUNTED	HD 16.5	WALL MOUNTED HORIZONTAL GRAB BAR 1-1/4" DIA. x 24" LONG			KN 10	SHOWER HEAD		
HD 07		HD 16.6	WALL MOUNTED HORIZONTAL GRAB BAR 1-1/4" DIA. x 12" LONG			KN 11	SHOWER DIVERTER VALVE		

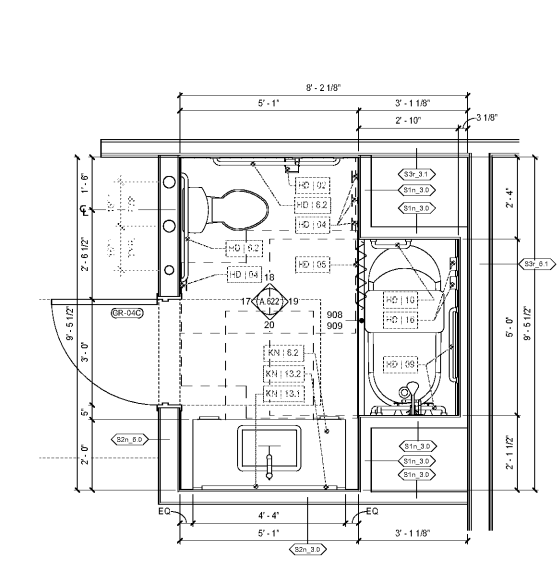
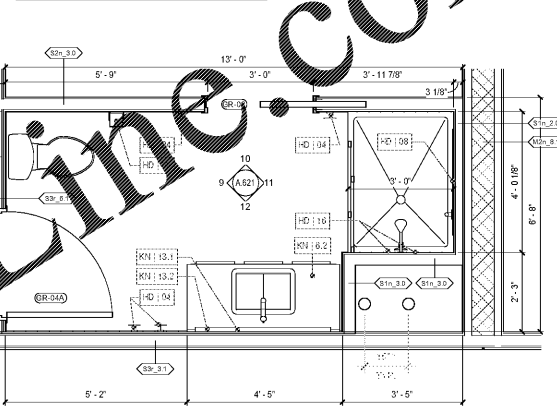
HD DENOTES PROTOTYPE TOILET ACCESSORIES; KN DENOTES PROTOTYPE KEY NOTE ACCESSORIES

GUESTROOM TOILET ACCESSORY NOTES

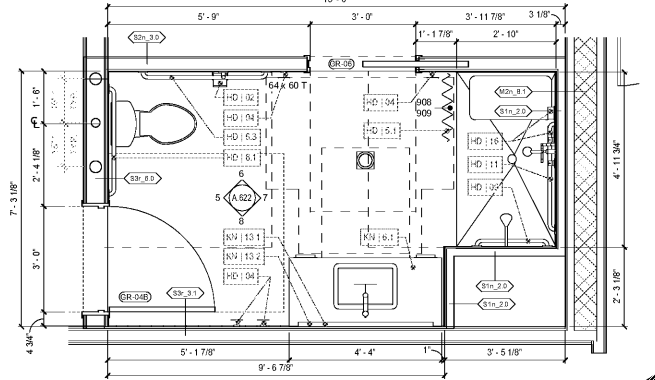
- G.C TO PROVIDE FIRE RETARDANT TREATED BLOCKING IN THE WALL BEHIND ALL TOILET ACCESSORIES.
- ALL GRAB BARS AND THEIR FASTENERS.
- ALL FIRE BLOCKING TO BE MIN. 0.94" PLYWOOD, U.N.O.
- HIGHEST CONTROL, OPERATING MECHANISM, AND/OR DISPENSER / DISPOSAL SLOT OF TOILET ROOM ACCESSORIES SHALL BE 48" MAX. A.F.F.
- CONTROL'S & OPERATING MECHANISMS OF TOILET ROOM ACCESSORIES SHALL BE OPERABLE BY A 5 LB. MAX FORCE.
- CLEARANCE FROM WALL TO FIXTURES OR ACCESSORIES SHOWN ON THE TOILET ACCESSORY LEGEND ARE FROM FINISHED SURFACE OF WALL, NOT FROM WALL STUDS.
- FLUSH CONTROL VALVES IN THE HC ACCESSIBLE TOILET SHALL BE MOUNTED ON THE WIDE SIDE OF THE TOILET AREA AND SHALL BE ACCESSIBLE BELOW THE GRAB BAR.
- PROVIDE PROTECTIVE INSULATING COVERS FOR HOT WATER SUPPLIES, DRAIN, AND P-TRAP. COLOR SHALL MATCH THE FIXTURE.
- SEE PLUMBING DRAWINGS FOR ALL PLUMBING FIXTURES.

MARK	TYPE "BASIS-OF-DESIGN" DESCRIPTION
HD 02	DELTA ACCESSORIES TISSUE HOLDER 77550
HD 03	DELTA ACCESSORIES TISSUE HOLDER 79955
HD 04	DELTA ACCESSORIES ROBE HOOK 77535
HD 05	BRADLEY SHOWER CURTAIN ROD 9530-6000 WITH EXPOSED MOUNTING
HD 5.1	BRADLEY SHOWER CURTAIN ROD 9530 WITH CONCEALED MOUNTING
HD 6.1	WINGTS INFINITE ELEGANCE STRUCTURAL 1808 S.S. GRAB BAR WGB5E
HD 6.2	WINGTS INFINITE ELEGANCE STRUCTURAL 1808 S.S. GRAB BAR WGB5E
HD 6.3	WINGTS INFINITE ELEGANCE STRUCTURAL 1808 S.S. GRAB BAR WGB5E
HD 08	WINGTS INFINITE ELEGANCE STRUCTURAL 1808 S.S. GRAB BAR WGB5E
HD 09	WINGTS INFINITE ELEGANCE STRUCTURAL 1808 S.S. GRAB BAR WGB5E
HD 10	WINGTS INFINITE ELEGANCE STRUCTURAL 1808 S.S. GRAB BAR WGB5E
HD 11	WINGTS INFINITE ELEGANCE STRUCTURAL 1808 S.S. GRAB BAR WGB5E
HD 14	WINGTS RECTANGULAR SHAPED FOLD-DOWN ADA SHOWER SEAT WITH FOUR PIN LEGS
HD 16	AVIVA SHOWER DISPENSER 2-CHAMBER 76235
KN 07	WINGTS PERMANENT END MOUNT FOLD-DOWN ADA BENCH WITH SKIS
KN 10	AMERICAN STANDARD STUDIO PRESSURE BALANCE ADA SHOWER FITTING, SEE PLUMBING
KN 11	AMERICAN STANDARD STUDIO PRESSURE BALANCE ADA SHOWER FITTING, SEE PLUMBING
KN 12	AMERICAN STANDARD 1662 843 ADA FLOWISE SQUARE SHOWER SYSTEM KIT, SEE PLUMBING
KN 13.1	MAJESTIC MIRROR FRAMED, CLEAN QW POLISHED, NO. 8, 48" X 33" X 1.5"
KN 13.2	TROY CSL LIGHTING CHROME KB
KN 15	AMERICAN STANDARD STUDIO PRESSURE BALANCE BATH SHOWER FITTING, SEE PLUMBING

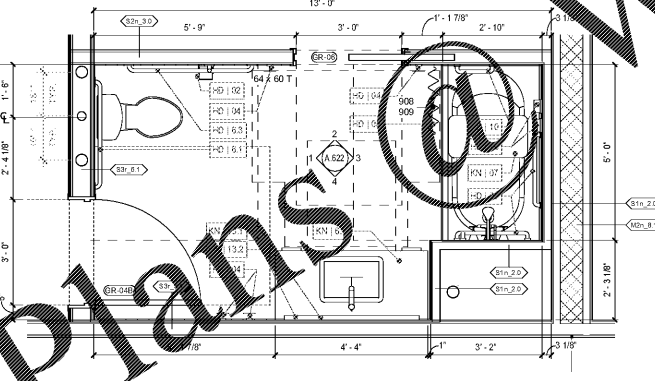
LAVATORY INFORMATION IS FOR REQUIRED DIMENSIONAL TOLERANCES ONLY. SEE PLAN DETAILS AND SECTIONS FOR SPECIFIC VANITY DESIGNS.



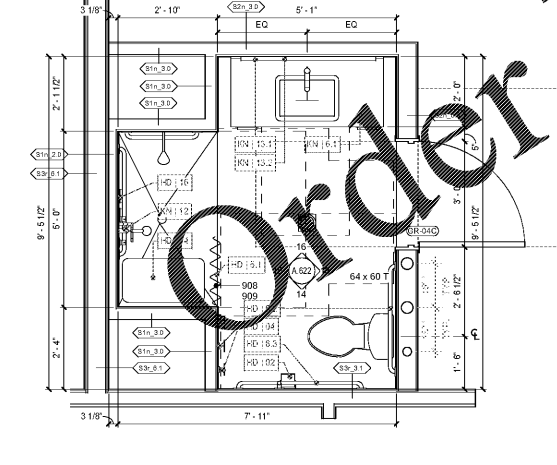
10 RESTROOM - DBL QUEEN / KING STUDIO ADA TUB
 SCALE: 1/2" = 1'-0"



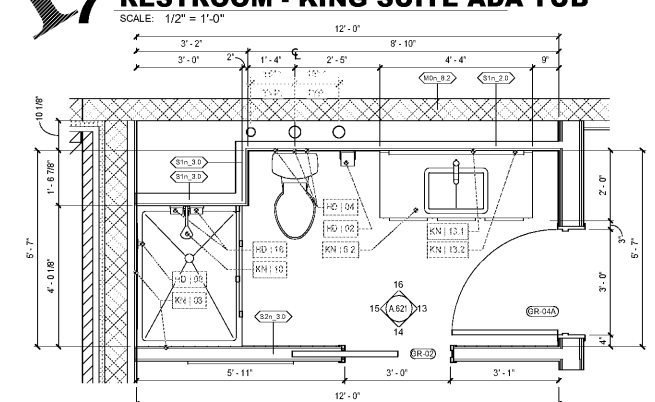
8 RESTROOM - KING SUITE ADA RIS
 SCALE: 1/2" = 1'-0"



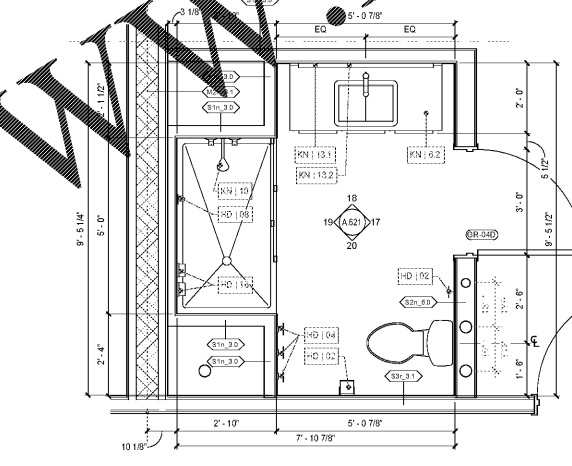
7 RESTROOM - KING SUITE ADA TUB
 SCALE: 1/2" = 1'-0"



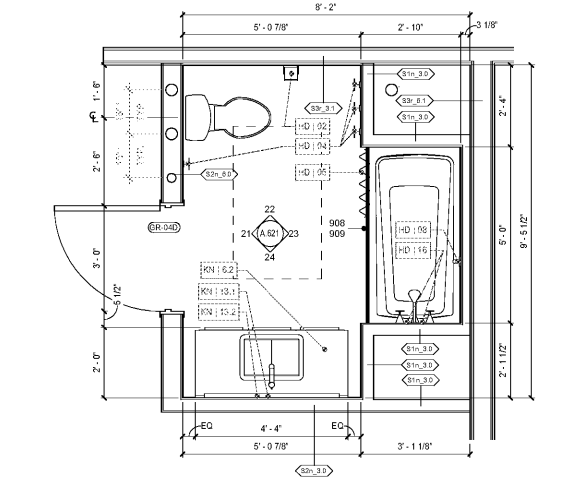
9 RESTROOM - KING STUDIO ADA RIS
 SCALE: 1/2" = 1'-0"



6 RESTROOM - KING SUITE END CAP
 SCALE: 1/2" = 1'-0"

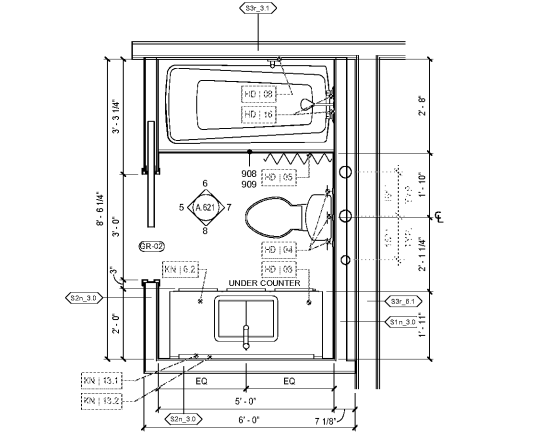


5 RESTROOM - KING STUDIO WIDE
 SCALE: 1/2" = 1'-0"

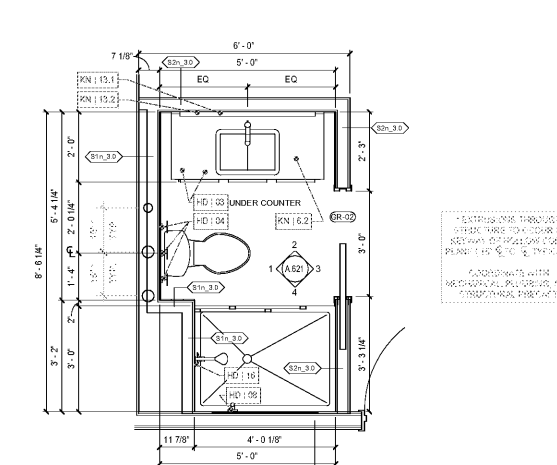


4 RESTROOM - DBL QUEEN STUDIO LG
 SCALE: 1/2" = 1'-0"

3 RESTROOM - KING SUITE
 SCALE: 1/2" = 1'-0"



2 RESTROOM - DBL QUEEN STUDIO
 SCALE: 1/2" = 1'-0"



1 RESTROOM - KING STUDIO
 SCALE: 1/2" = 1'-0"