

Revisions		
#	Date	Description

FLOOR PLAN LEGEND

	NEW WALL / PARTITION		EXTERIOR CONTROL JOINT
	WINDOW TYPE (NEW WINDOWS ONLY)		INTERIOR CONTROL JOINT
	PARTITION TYPE (NEW INTERIOR WALLS ONLY)		INTERIOR CORNER GUARD
	NEW DOOR. SEE DOOR SCHEDULE		

PARTITION TYPE TAG NOMENCLATURE IS PER THE FOLLOWING:

1. SOUND TRANSMISSION CLASSIFICATION (STC) RATING

2. SOUND ATTENUATION COEFFICIENT (SAC) RATING

3. NO SOUND TRANSMISSION BLANKETS

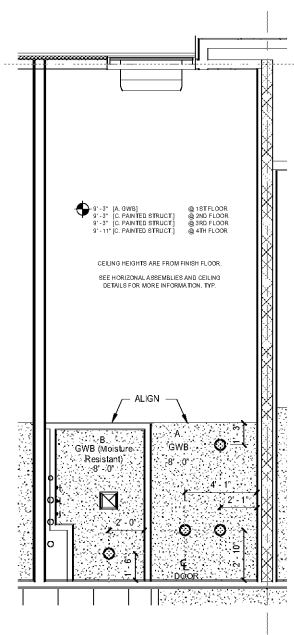
4. RC-1 CHANNEL WITH SOUND BATT

PARTITION CORE:

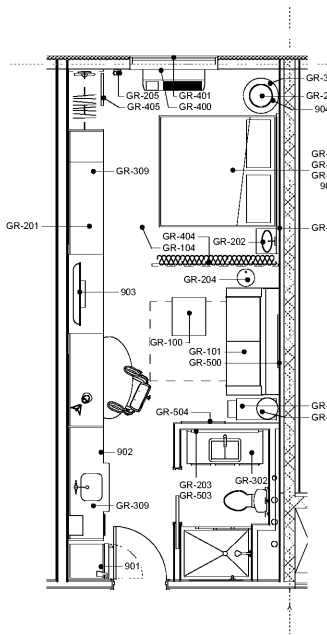
C	CONCRETE
M	MASONRY
S	METAL STUDS
SW	SMALL WALL STUDS
W	WOOD STUDS

FURNISHINGS LEGEND

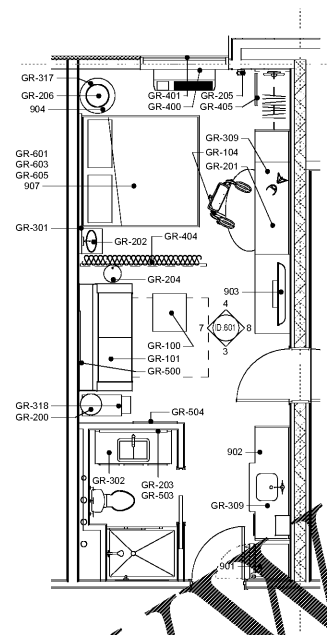
MARK	DESCRIPTION
GR-100	OTTOMAN
GR-101	SLEEPER SOFA
GR-102	DINING CHAIR
GR-103	LOUNGE CHAIR
GR-104	TASK CHAIR
GR-200	SIDE TABLE LAMP
GR-201	TASK LAMP
GR-202	HEADBOARD WALL SCIENCE
GR-203	VANITY LIGHT
GR-204	FLOOR LAMP
GR-205	END WALL SCIENCE
GR-206	NIGHTSTAND TABLE LAMP
GR-207	END WALL SCIENCE
GR-208	SOFA WALL SCIENCE
GR-300	QUEEN HEADBOARD
GR-301	KING HEADBOARD
GR-302	VANITY
GR-303	ACCESSIBLE VANITY
GR-304-16	WORKING WALL
GR-317	NIGHTSTAND
GR-318	SIDE TABLE
GR-319	DINING TABLE
GR-400-03	ROLLER SHADE
GR-404	ROOM DIVIDER
GR-405-06	CLOSET DRAPERY
GR-500	ARTWORK AT SLEEPER SOFA
GR-501	ARTWORK AT DINING TABLE
GR-502	ARTWORK AT END WALL
GR-503	VANITY MIRROR
GR-504	WALL MIRROR
GR-600	QUEEN BOXSPRING COVER
GR-601	KING BOXSPRING COVER
GR-602	QUEEN BED BASE
GR-603	KING BED BASE
GR-604	QUEEN COVERLET
GR-605	KING COVERLET
901	REFRIGERATOR
902	DISHWASHER
903	TELEVISION
904	CLOCK/RADIO
905	TELEPHONE
906	QUEEN MATTRESS & BOXSPRING
907	KING MATTRESS & BOXSPRING
908	SHOWER CURTAIN ROD
909	SHOWER CURTAIN



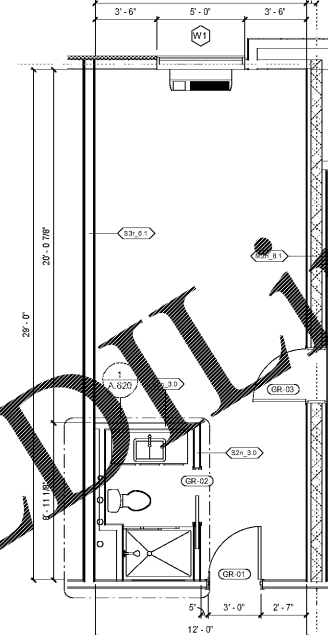
8 KING STUDIO CONN - CEILING PLAN
SCALE: 1/4" = 1'-0"



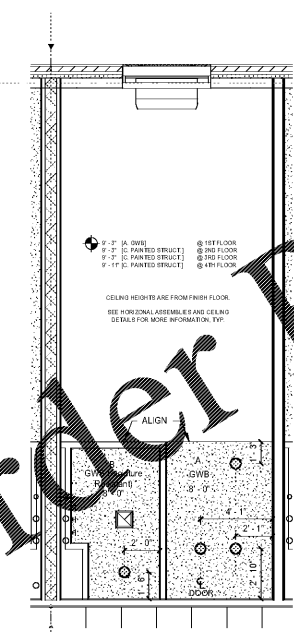
6 KING STUDIO CONN - FF&E PLAN
SCALE: 1/4" = 1'-0"



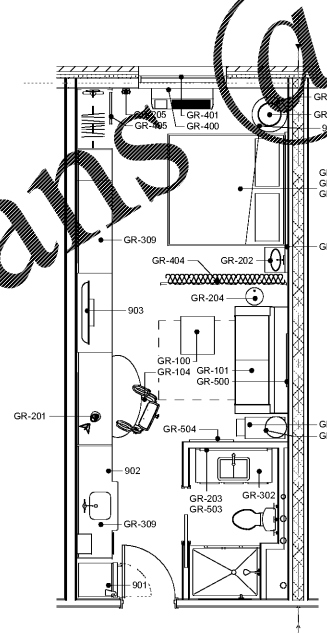
4 KING STUDIO CONN - FF&E PLAN
SCALE: 1/4" = 1'-0"



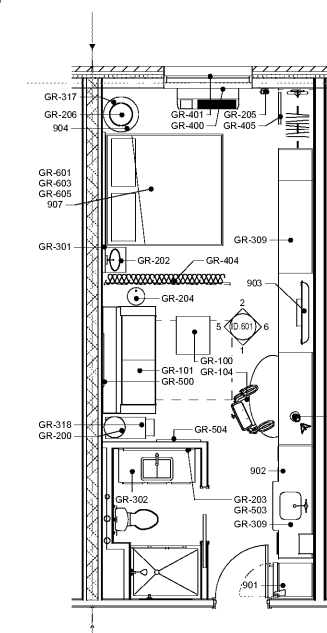
2 KING STUDIO CONN - ARCH PLAN
SCALE: 1/4" = 1'-0"



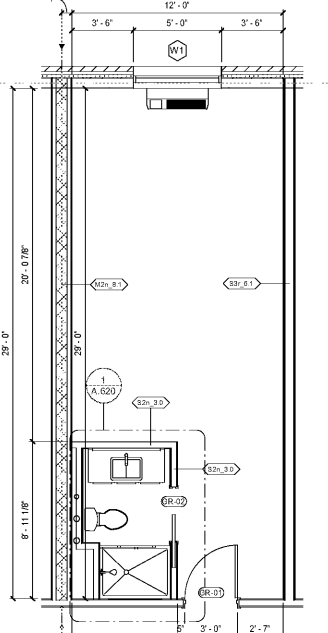
7 KING STUDIO - CEILING PLAN
SCALE: 1/4" = 1'-0"



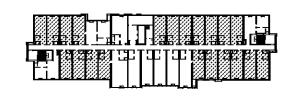
5 KING STUDIO - FF&E PLAN
SCALE: 1/4" = 1'-0"



3 KING STUDIO - FF&E PLAN
SCALE: 1/4" = 1'-0"



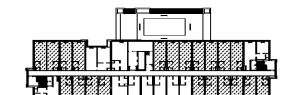
1 KING STUDIO - ARCH PLAN
SCALE: 1/4" = 1'-0"



4TH FLOOR KEYPLAN



3RD FLOOR KEYPLAN



2ND FLOOR KEYPLAN



1ST FLOOR KEYPLAN