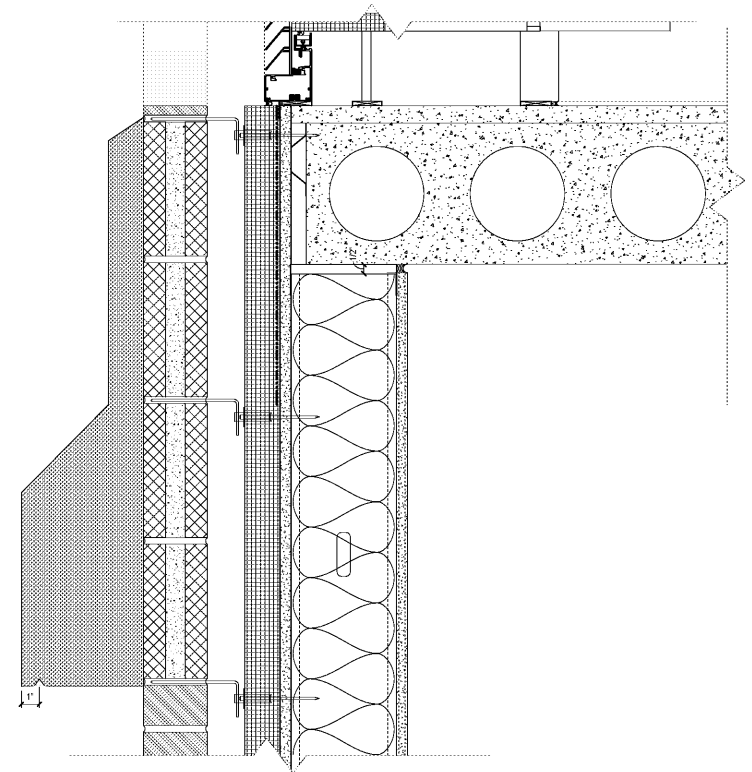
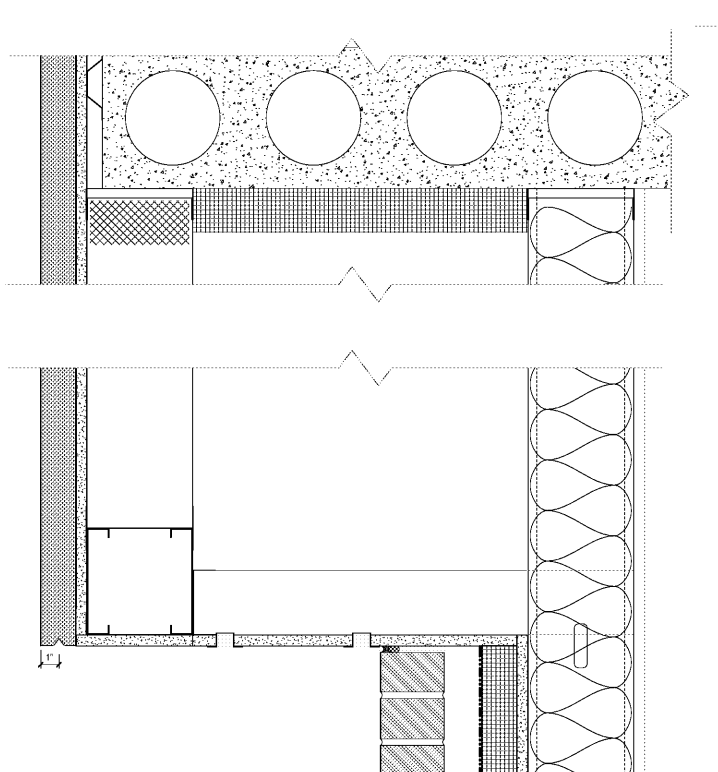


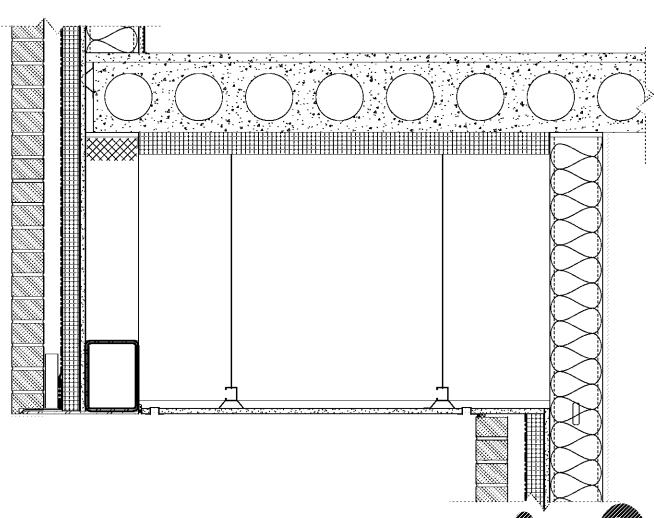
Revisions		
#	Date	Description



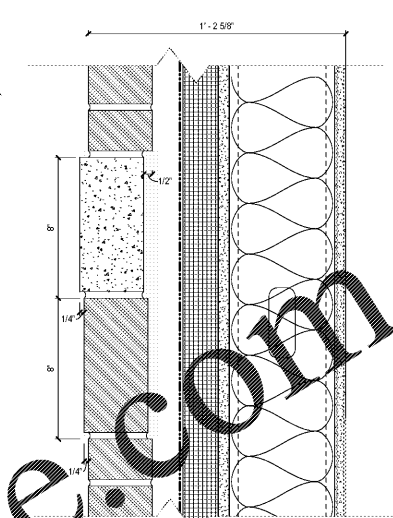
11 WSD WALL - 2" EIFS, 4" BRICK, 6" CFMF, PTAC SILL ONLY
SCALE: 3" = 1'-0"



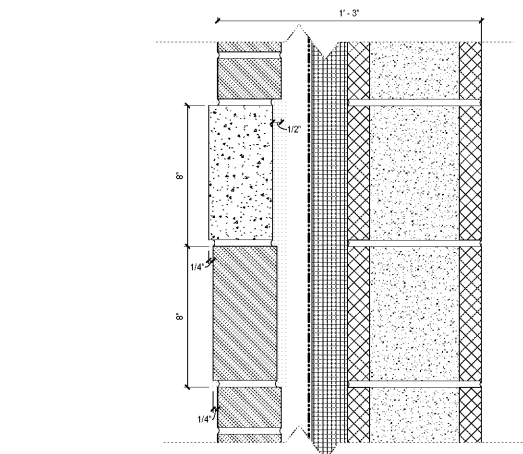
8 WSD WALL - 2" EIFS, 4" BRICK, OVERHANG
SCALE: 3" = 1'-0"



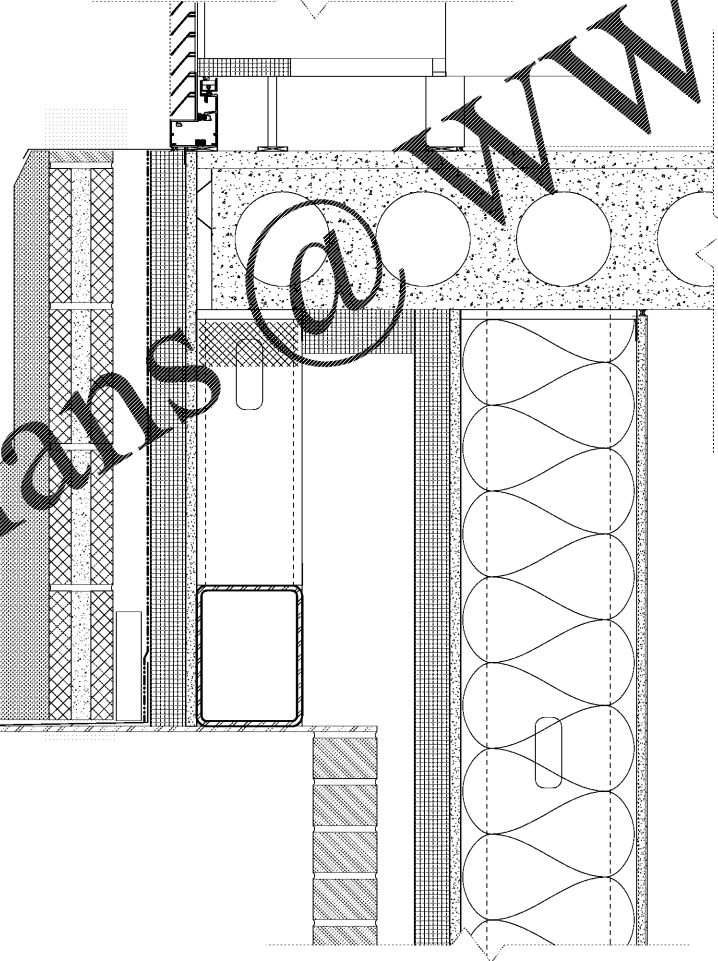
6 WSD WALL - 4" BRICK, 6" CFMF, 4" BRICK, 8" CMU, OVERHANG, NO EIFS
SCALE: 1 1/2" = 1'-0"



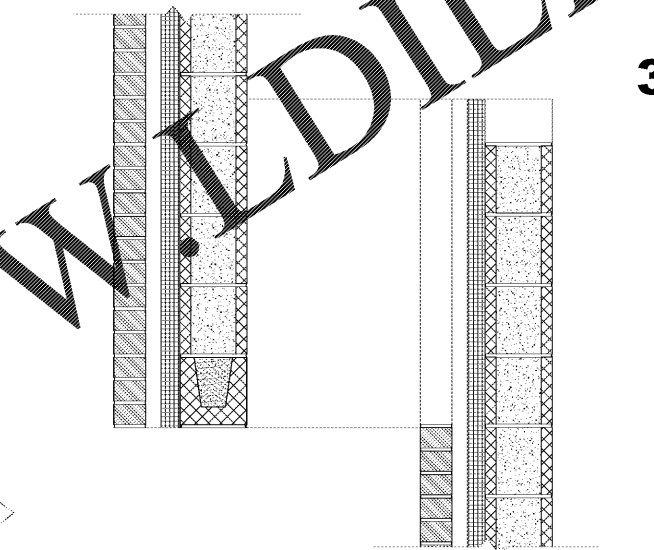
3 WSD WALL - 6" CFMF, BRICK SOLDIER COURSE, PRECAST CONCRETE COURSE
SCALE: 3" = 1'-0"



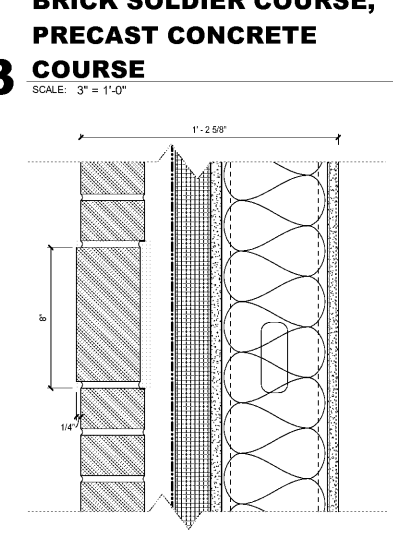
10 WSD WALL - 8" CMU, BRICK SOLDIER COURSE, PRECAST CONCRETE COURSE
SCALE: 3" = 1'-0"



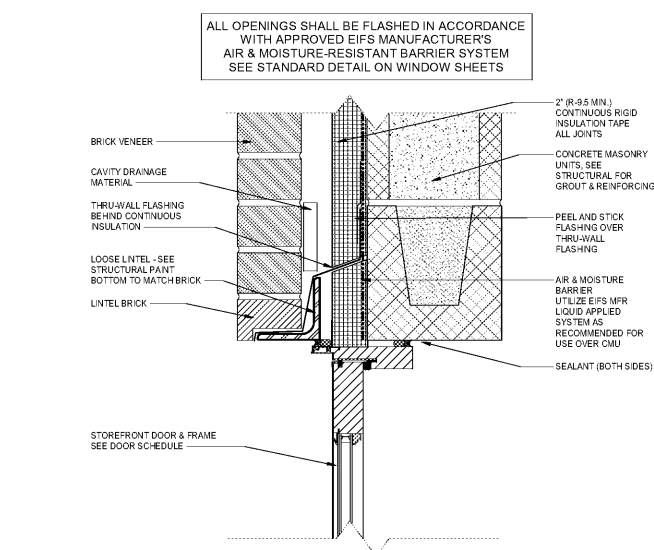
7 WSD WALL - 4" BRICK, 6" CFMF, 4" BRICK, 10" CFMF, OVERHANG
SCALE: 3" = 1'-0"



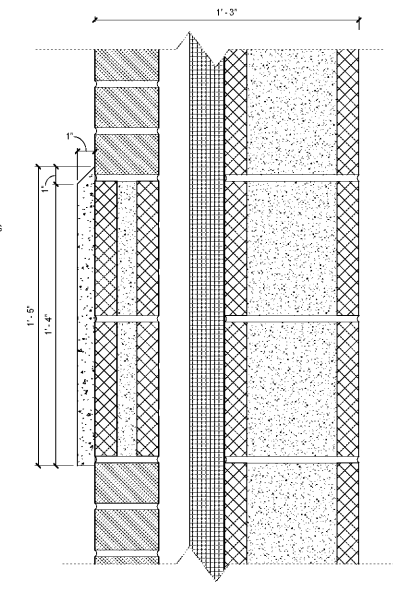
5 WSD WALL - 4" BRICK, 8" CMU, 4" BRICK, 8" CMU, OVERHANG
SCALE: 1 1/2" = 1'-0"



2 WSD WALL - 6" CFMF, BRICK SOLDIER COURSE
SCALE: 3" = 1'-0"

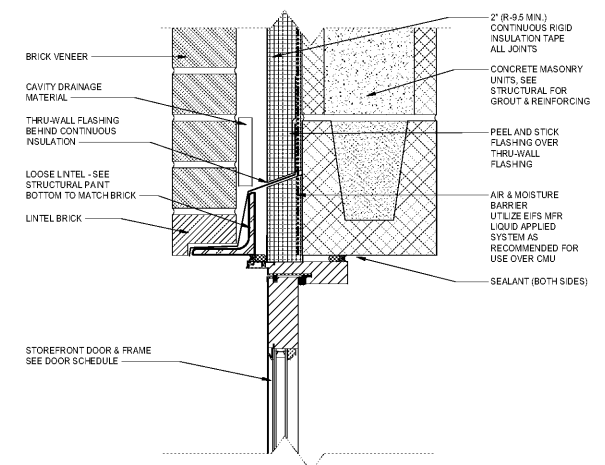


4 WSD WALL - 4" BRICK, 8" CMU, STOREFRONT DOOR HEAD
SCALE: 3" = 1'-0"



1 WSD WALL - 4" BRICK, 8" CMU, PRECAST BUMPOUT
SCALE: 3" = 1'-0"

ALL OPENINGS SHALL BE FLASHED IN ACCORDANCE WITH APPROVED EIFS MANUFACTURER'S AIR & MOISTURE-RESISTANT BARRIER SYSTEM. SEE STANDARD DETAIL ON WINDOW SHEETS.



Order Plans @ WWW.WLDLINE.COM