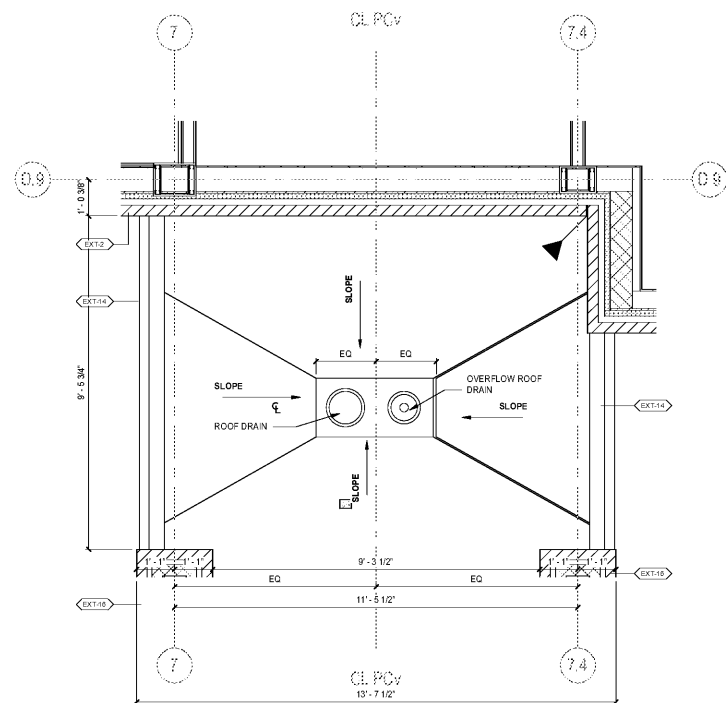
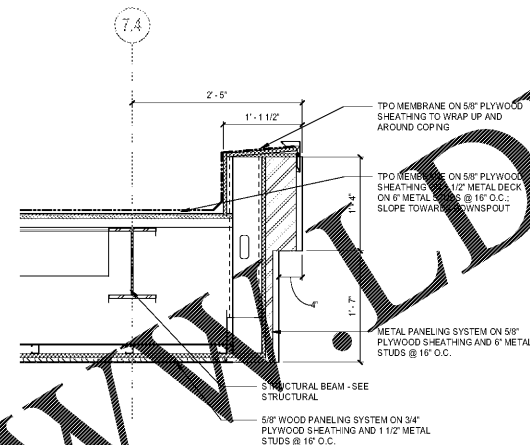


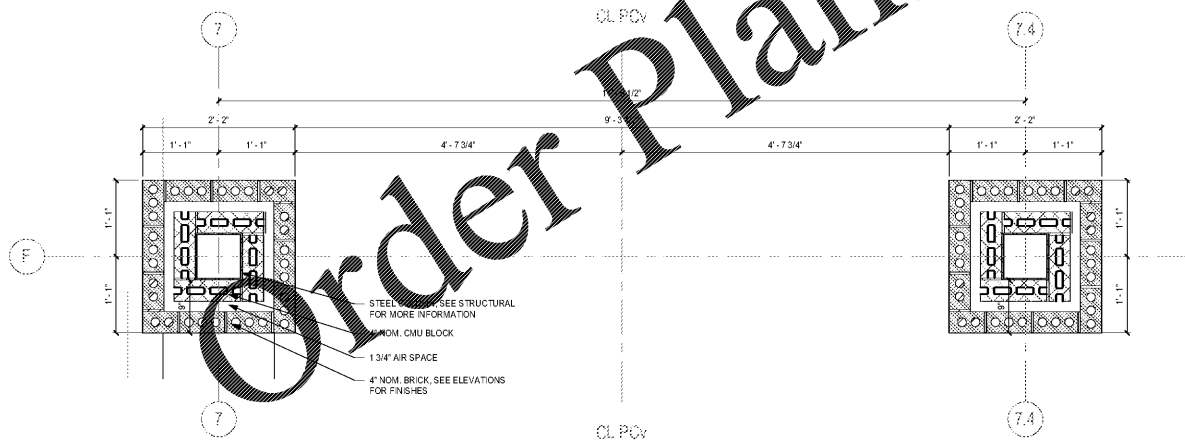
Revisions		
#	Date	Description



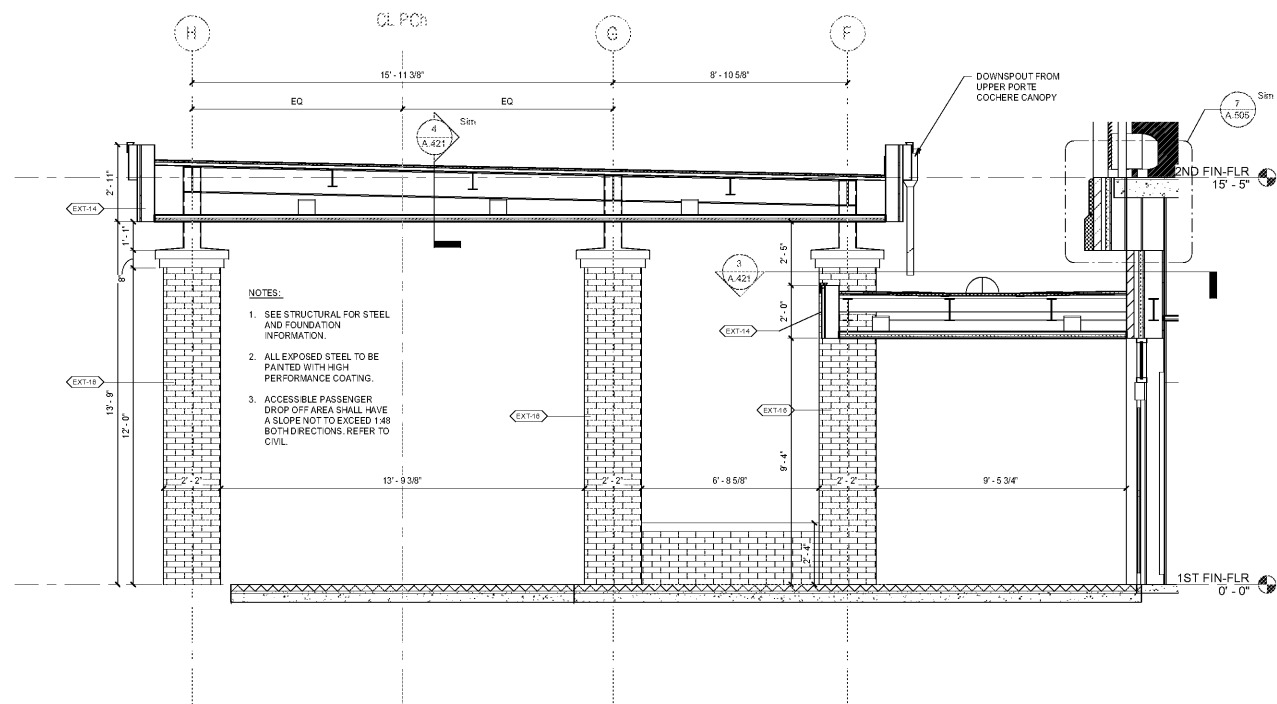
3 DS LOWER CANOPY ROOF @ PORTE COCHERE
SCALE: 1/2" = 1'-0"



4 DS UPPER CANOPY ROOF @ PORTE COCHERE
SCALE: 1" = 1'-0"



2 COLUMN PLAN DETAIL @ PORTE COCHERE
SCALE: 1" = 1'-0"



1 DS PORTE COCHERE
SCALE: 3/8" = 1'-0"