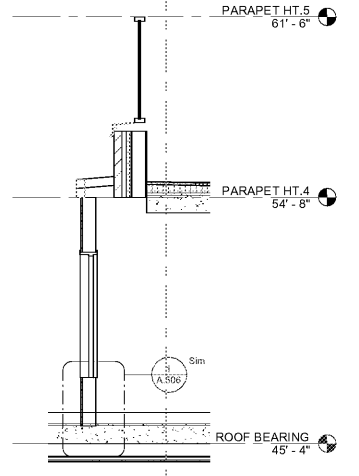


Revisions		
#	Date	Description

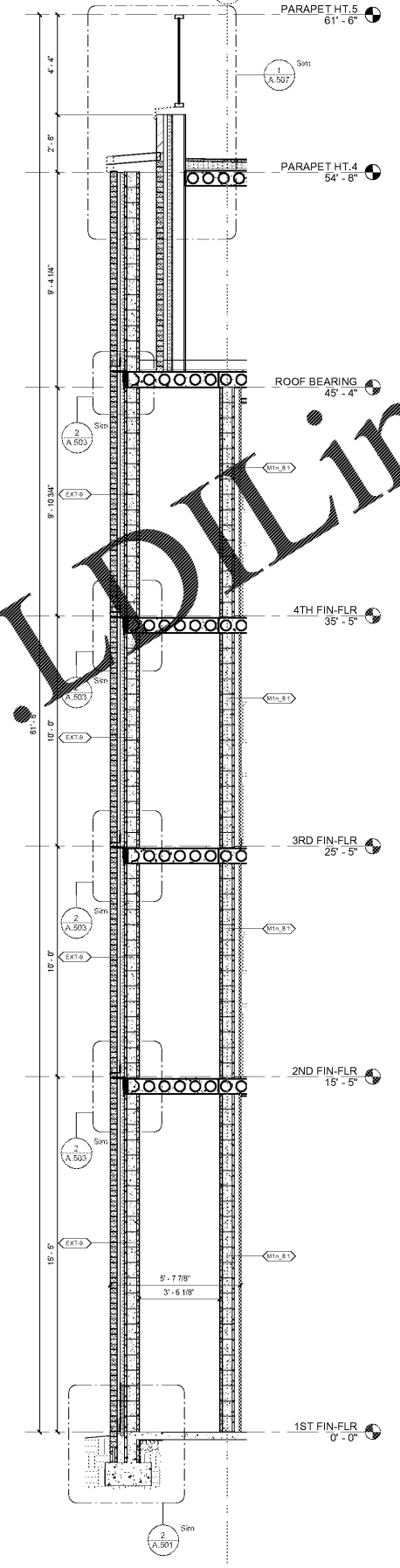
Project Number: 18021
Issued for: CONSTRUCTION
Issue Date: 2019-06-07

DRAWING TITLE
WALL SECTIONS

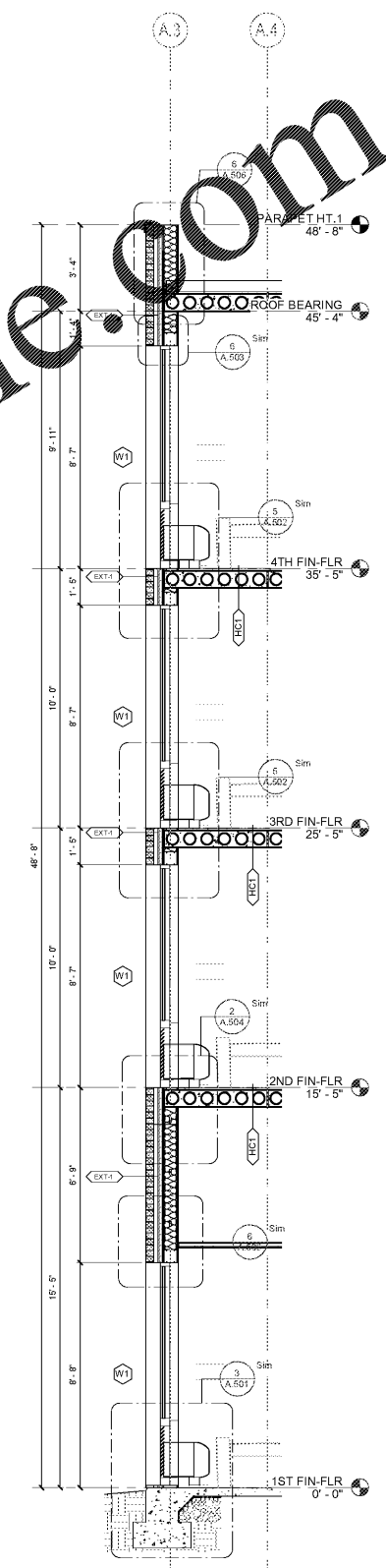
SHEET NUMBER
A.416



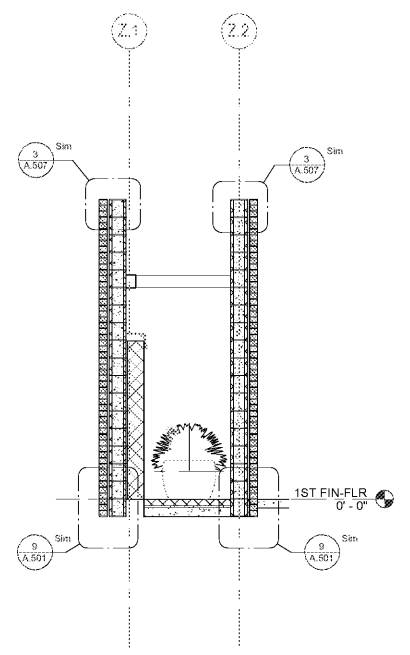
6 WS BRICK TOWER AT HM DOOR
SCALE: 3/8" = 1'-0"



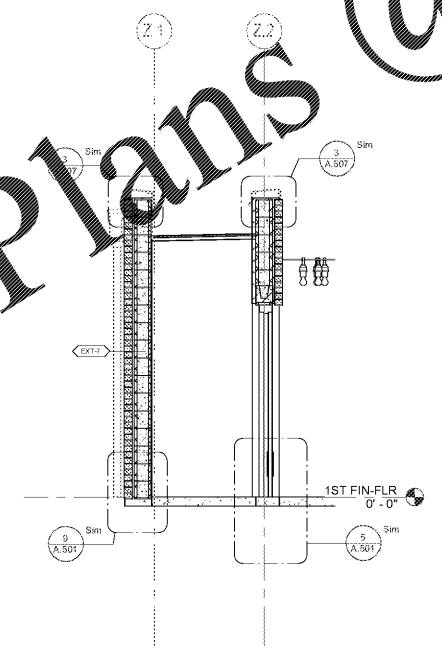
2 WS BRICK TOWER AT SIDE
SCALE: 3/8" = 1'-0"



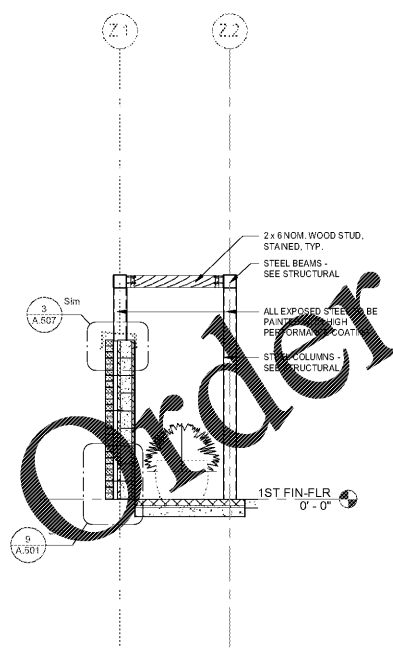
1 WS BRICK AT PTAC
SCALE: 3/8" = 1'-0"



3 WS BRICK AT PATIO
SCALE: 3/8" = 1'-0"



4 WS BRICK AT PATIO AND HM DOOR
SCALE: 3/8" = 1'-0"



5 WS BRICK AT PATIO RAIL
SCALE: 3/8" = 1'-0"

2 x 6 NOM. WOOD STUD, STAINED, TYP.
STEEL BEAMS - SEE STRUCTURAL
ALL EXPOSED STEEL TO BE PAINTED WITH HIGH PERFORMANCE COAT
STEEL COLUMNS - SEE STRUCTURAL