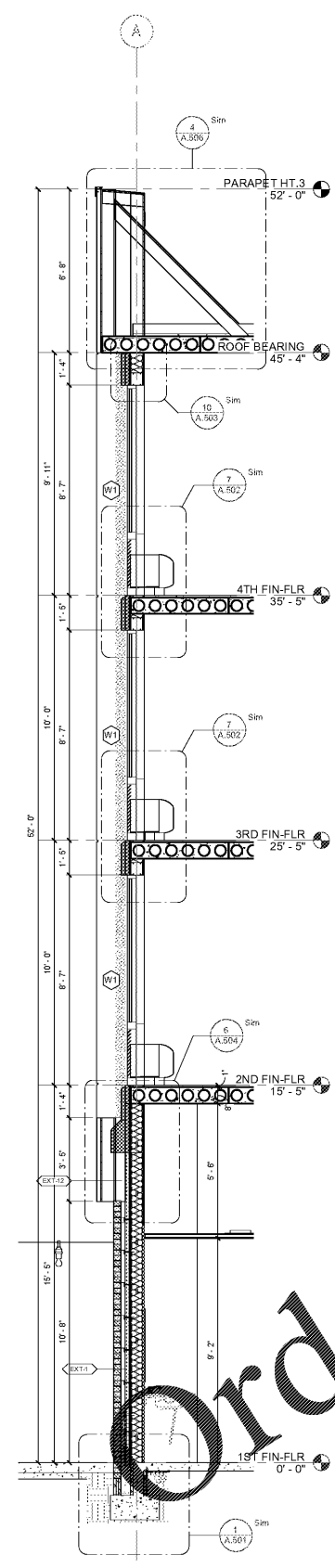
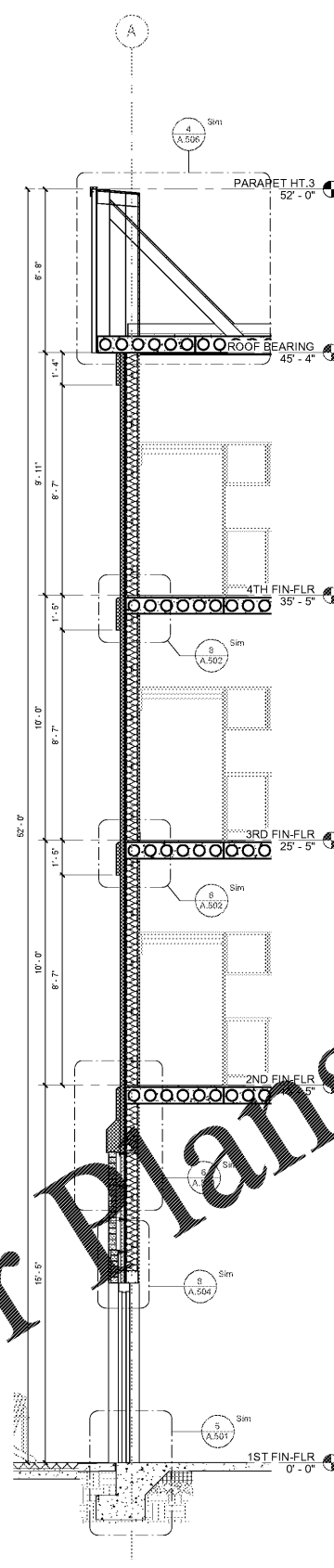


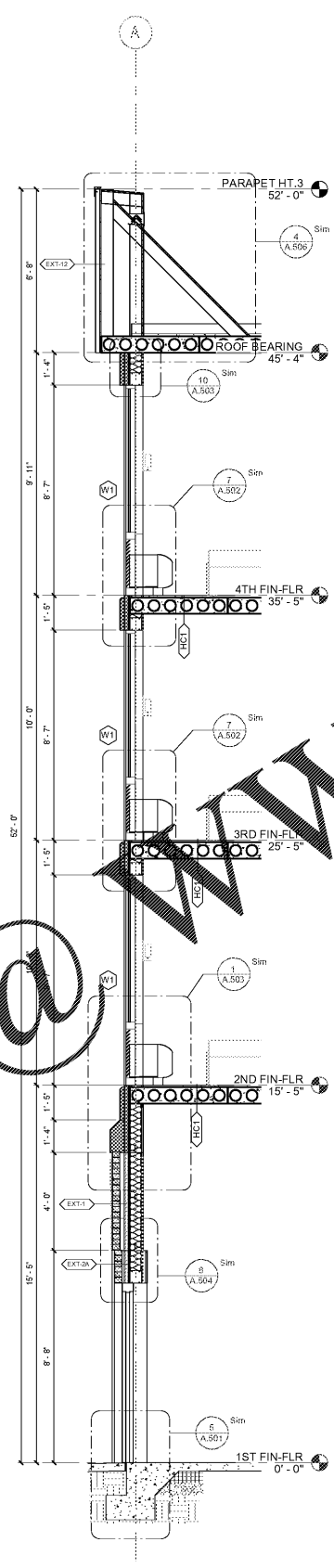
Revisions		
#	Date	Description



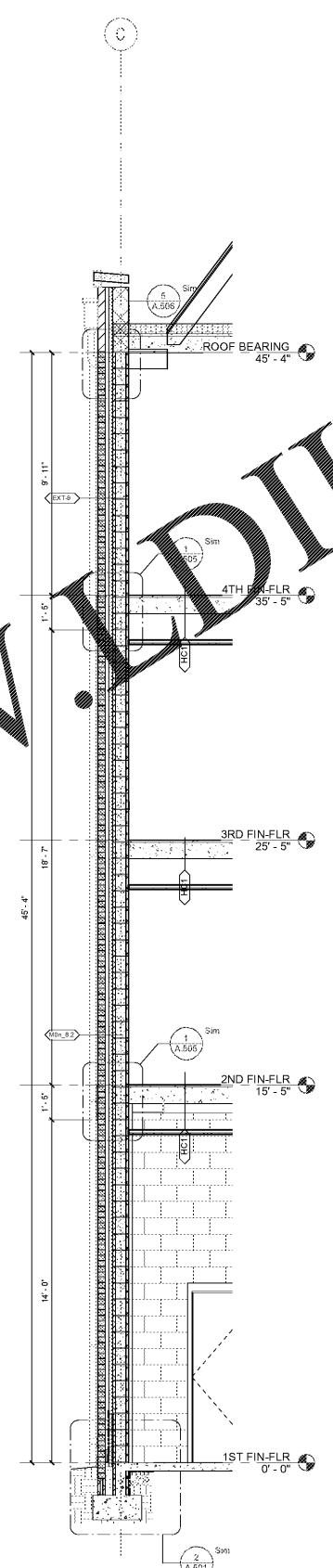
**5** WS\_BRICK BASE, 2" EIFS  
AT PTAC - UPPER ONLY  
SCALE: 3/8" = 1'-0"



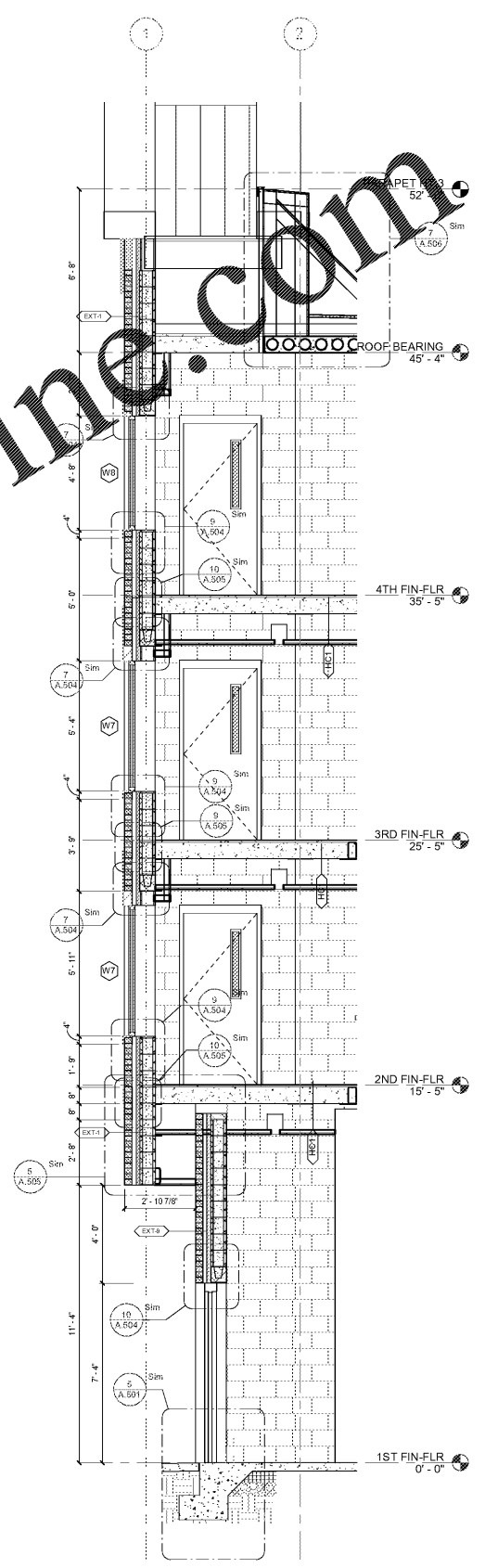
**4** WS\_BRICK BASE, 2" EIFS  
AT HM DOOR  
SCALE: 3/8" = 1'-0"



**3** WS\_BRICK BASE, 2" EIFS  
AT PTAC AND HM DOOR  
SCALE: 3/8" = 1'-0"



**2** WS\_BRICK STAIR TOWER  
AT SIDE LEG  
SCALE: 3/8" = 1'-0"



**1** WS\_BRICK STAIR TOWER  
AT STAIR EXIT  
SCALE: 3/8" = 1'-0"

Order Plans

www.LDILine.com