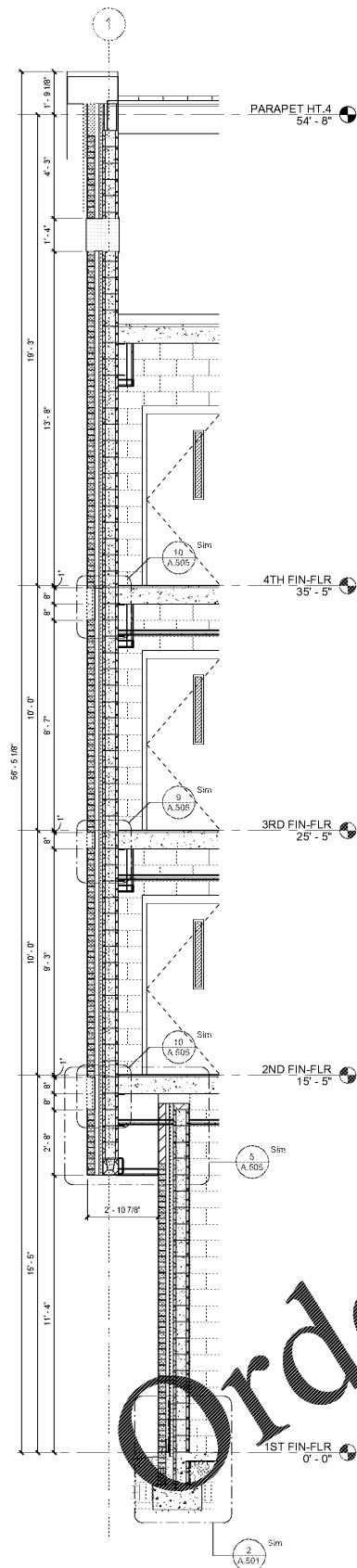
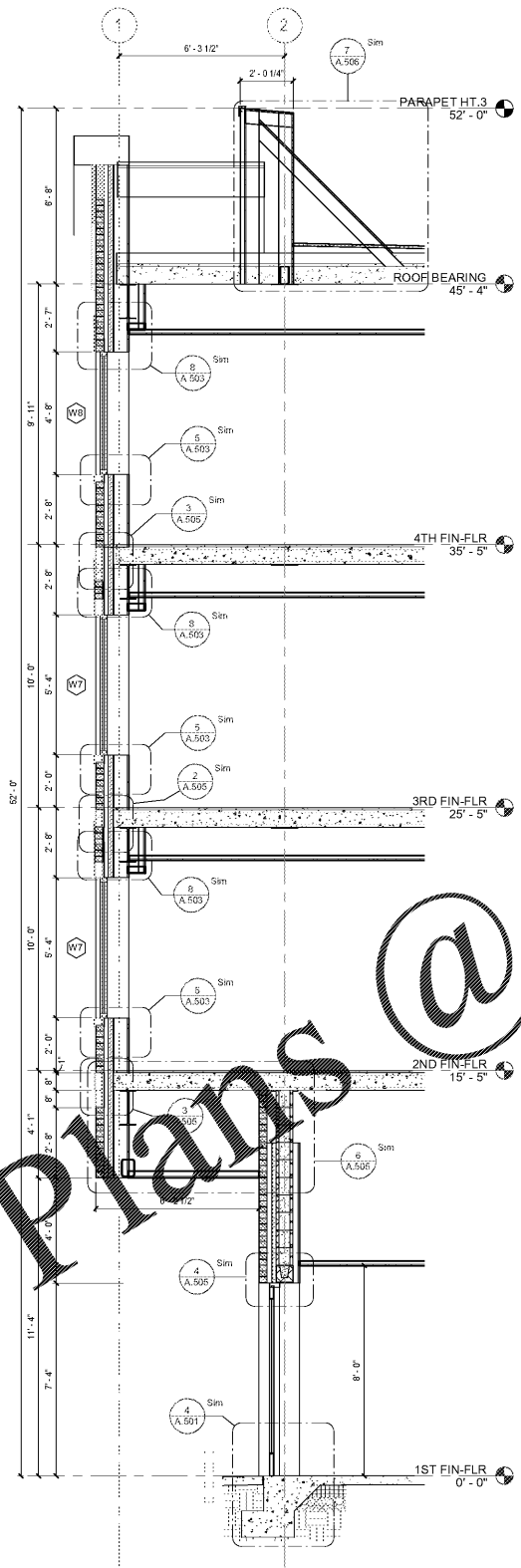




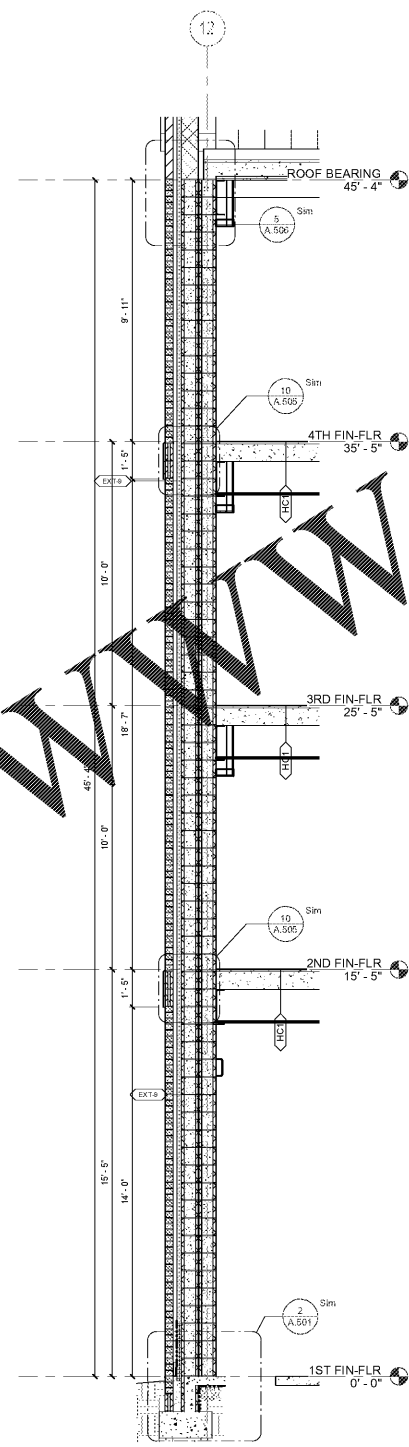
Revisions		
#	Date	Description



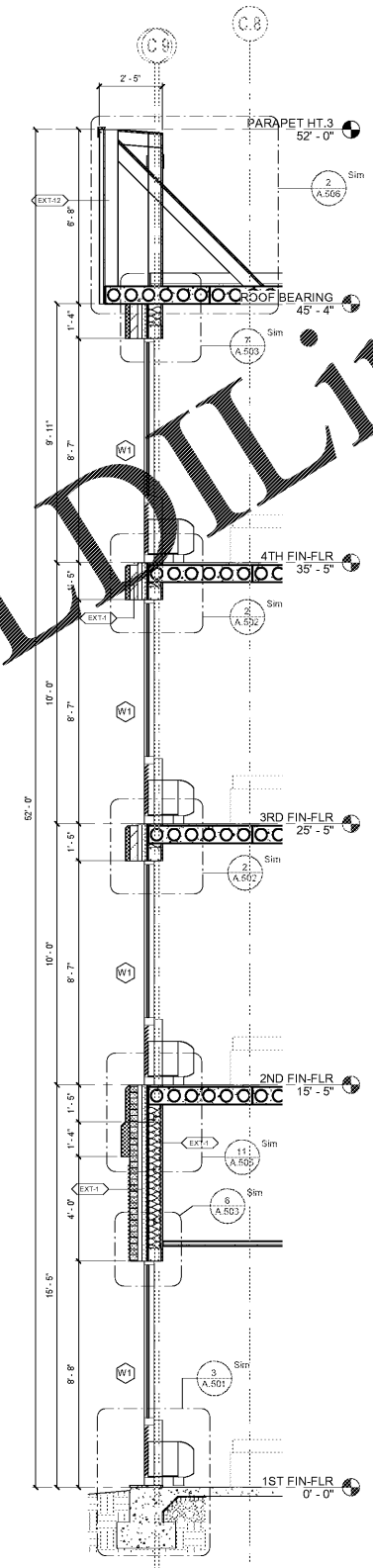
5 WS_BRICK STAIR TOWER AT PEAK
SCALE: 3/8" = 1'-0"



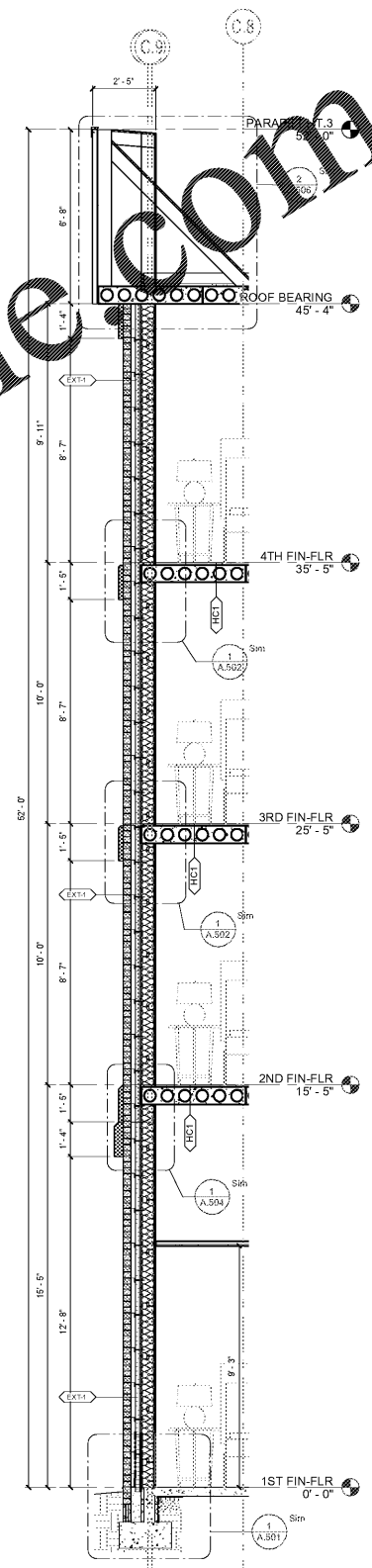
4 WS_BRICK STAIR TOWER AT COORIDOR EXIT
SCALE: 3/8" = 1'-0"



3 WS_BRICK STAIR TOWER
SCALE: 3/8" = 1'-0"



2 WS_TWO TONE BRICK AT PTAC
SCALE: 3/8" = 1'-0"



1 WS_TWO TONE BRICK
SCALE: 3/8" = 1'-0"

Order Plans @ WWW.LDILine.com