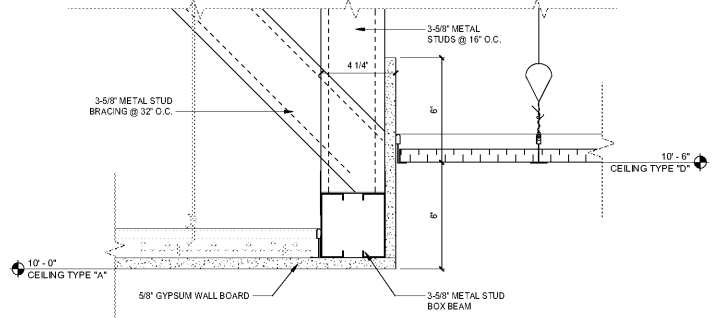
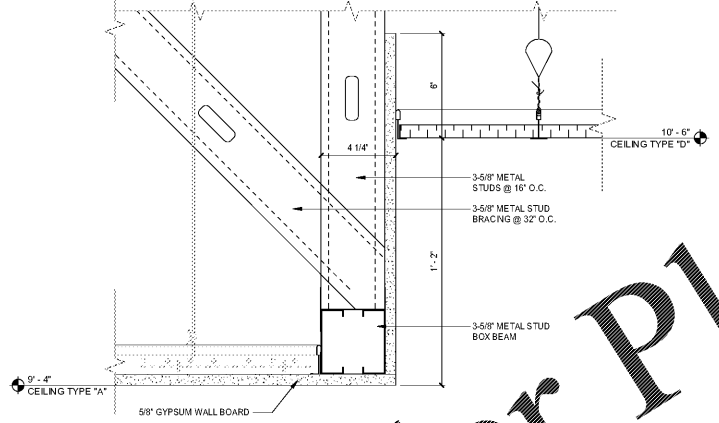


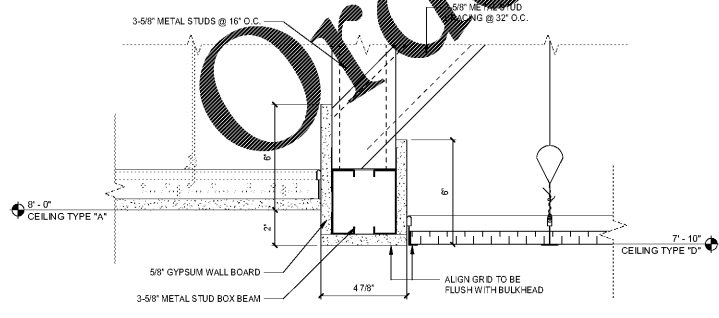
CEILING TRANSITION: BREAKFAST BUFFET



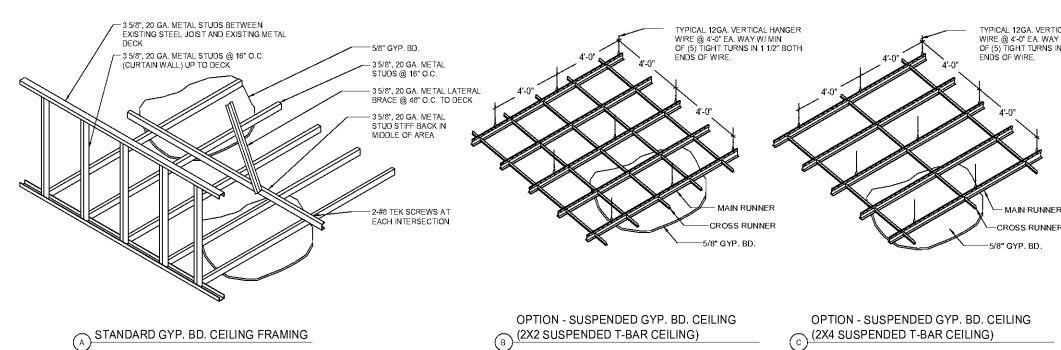
CEILING TRANSITION: LOBBY / MEETING ROOM



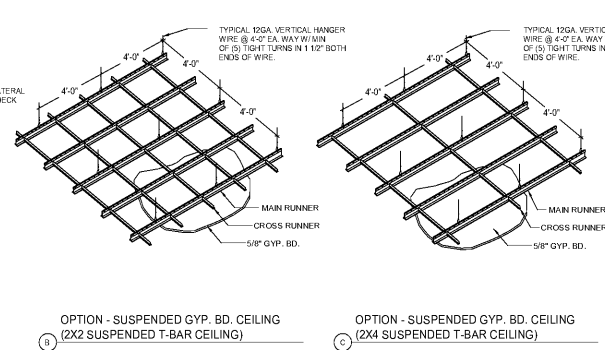
CEILING TRANSITION: FITNESS ROOM



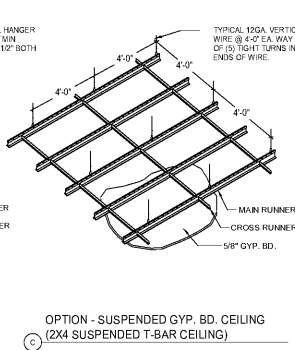
CEILING TRANSITION: GUESTROOM CORRIDORS



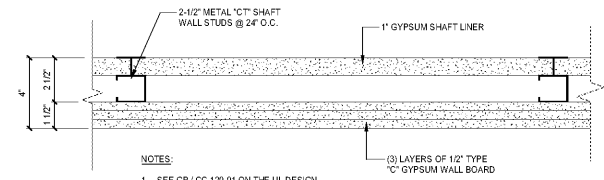
(A) STANDARD GYP. BD. CEILING FRAMING



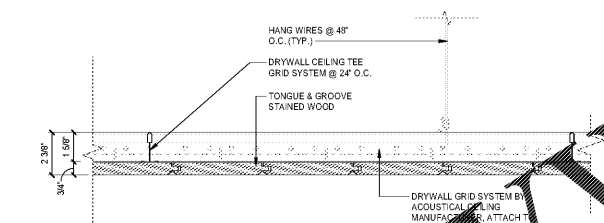
(B) OPTION - SUSPENDED GYP. BD. CEILING (2X2 SUSPENDED T-BAR CEILING)



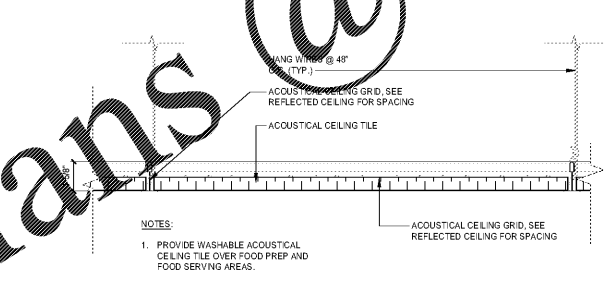
(C) OPTION - SUSPENDED GYP. BD. CEILING (2X4 SUSPENDED T-BAR CEILING)



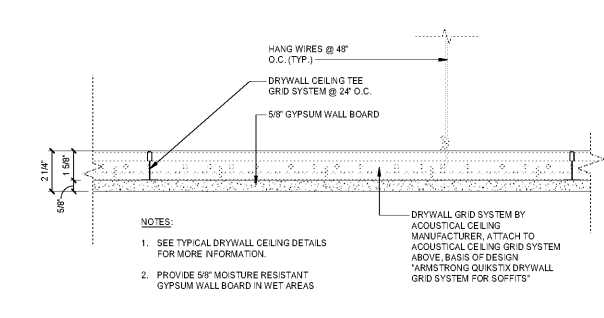
(H) CEILING TYPE: 2-HR HORIZ. SHAFT WALL



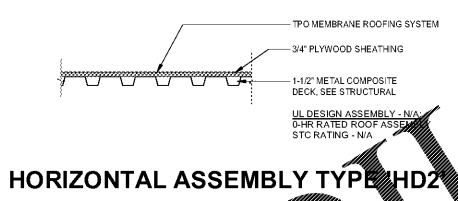
(G) CEILING TYPE: T&G ON QUIKSTIX



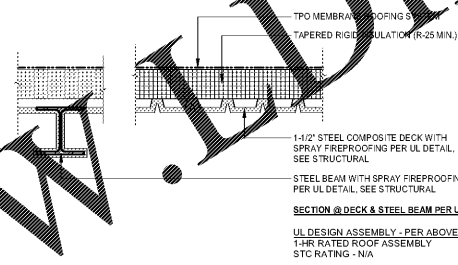
(D/E) CEILING TYPE: ACOUSTICAL CEILING TILE



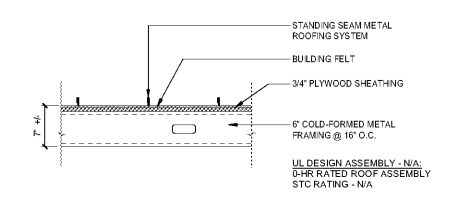
(A/B) CEILING TYPE: GYP. BOARD ON QUIKSTIX



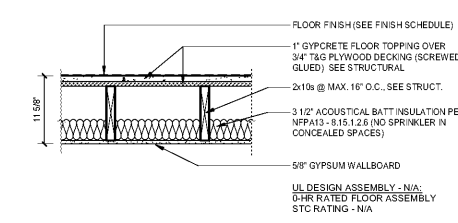
HORIZONTAL ASSEMBLY TYPE 'HD2'



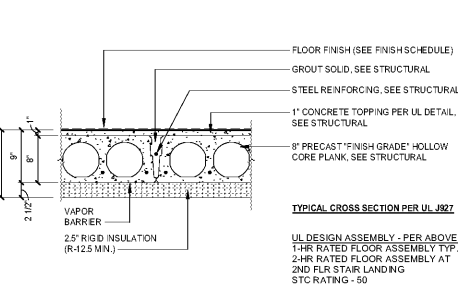
HORIZONTAL ASSEMBLY TYPE 'HC2'



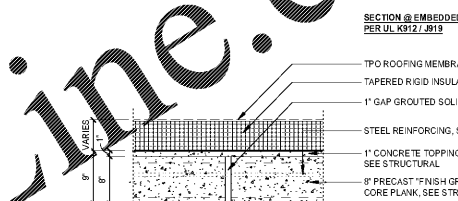
HORIZONTAL ASSEMBLY TYPE 'HD1'



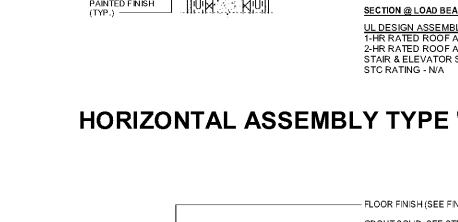
HORIZONTAL ASSEMBLY TYPE 'HS1'



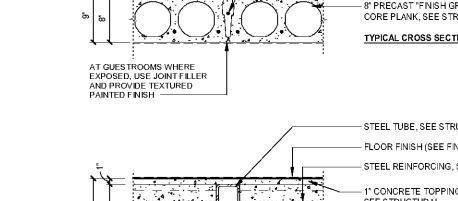
HORIZONTAL ASSEMBLY TYPE 'HW1'



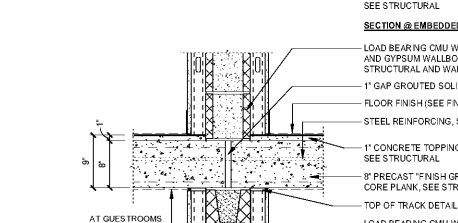
HORIZONTAL ASSEMBLY TYPE 'HC3'



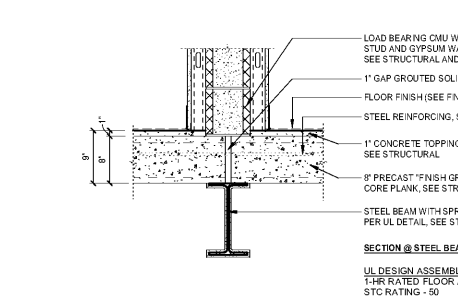
HORIZONTAL ASSEMBLY TYPE 'HC1'



HORIZONTAL ASSEMBLY TYPE 'HC2'



HORIZONTAL ASSEMBLY TYPE 'HC1'



HORIZONTAL ASSEMBLY TYPE 'HC3'