

**PHILLIPS**  
architects + engineers

770.394.1616



**DEL VALLE + MCNEIL, LLC**  
structural engineers

404.369.0058  
dvmstructural.com  
Project No. 19-201016

CONSULTANT



SEAL

ISSUE & REVISION RECORD

#	DATE	DESCRIPTION
	05/30/2019	PERMIT SUBMITTAL

TENANT

PROJECT

# THE PROMENADE

D'IBERVILLE, MS.

CLIENT

**CBL**  
CBL PROPERTIES

300 Peachtree Dunwoody Rd., Suite 450  
Atlanta, GA 30328

PHILLIPS JOB NUMBER: 1925401

ISSUE DATE: 05/30/2019

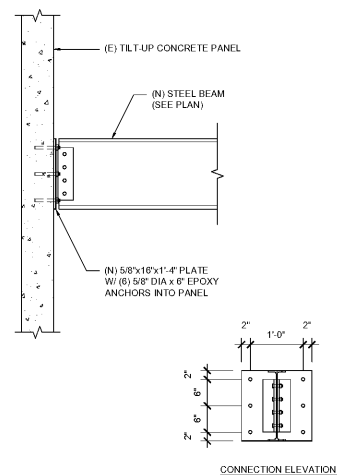
DRAWN BY/CHECKED BY: MM

DRAWING TITLE:  
**ROOF FRAMING SECTIONS & DETAILS**

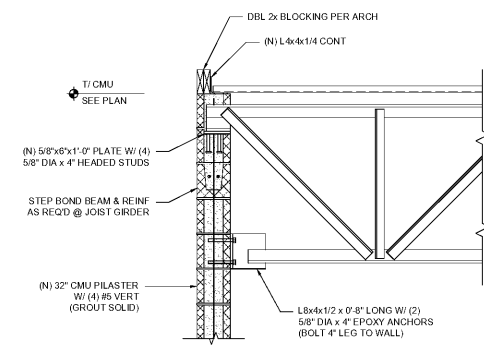
SHEET NUMBER

## S 4.2

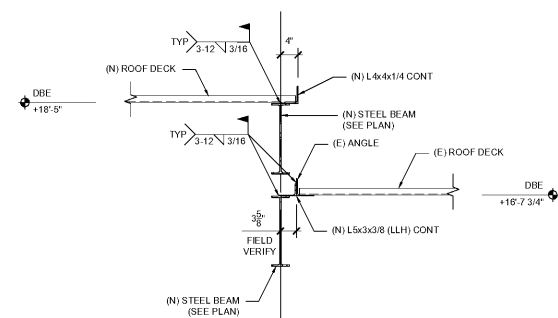
THE PROMENADE  
5901 PEACHTREE DUNWOODY RD.  
BUILDING A, SUITE 450  
ATLANTA, GEORGIA 30328



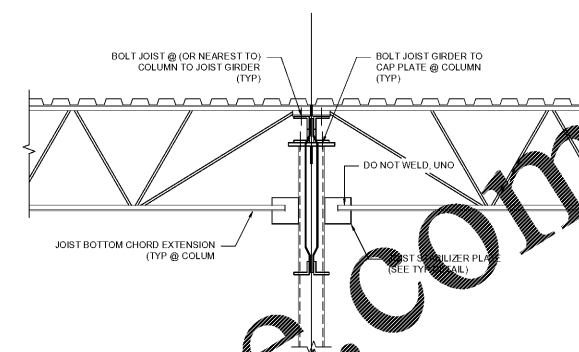
12 STEEL BEAM DETAIL AT TILT-UP PANEL  
SCALE: 3/4" = 1'-0"



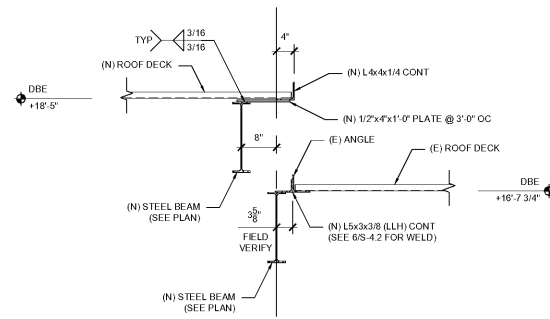
9 JOIST GIRDER AT CMU BLOCK WALL  
SCALE: 3/4" = 1'-0"



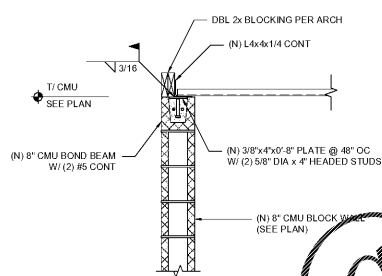
6 SECTION  
SCALE: 3/4" = 1'-0"



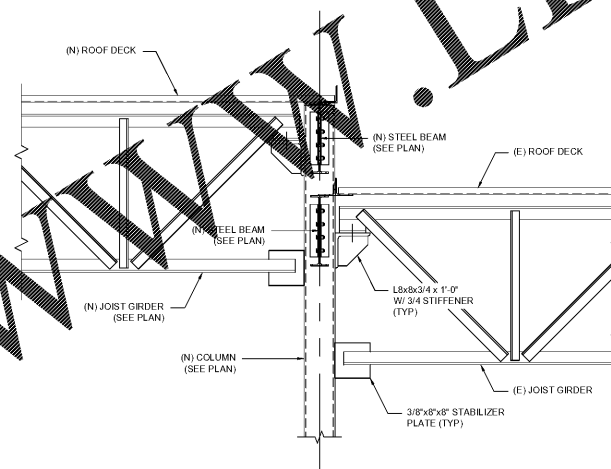
3 TYPICAL STEEL JOISTS AT COLUMN  
SCALE: 3/4" = 1'-0"



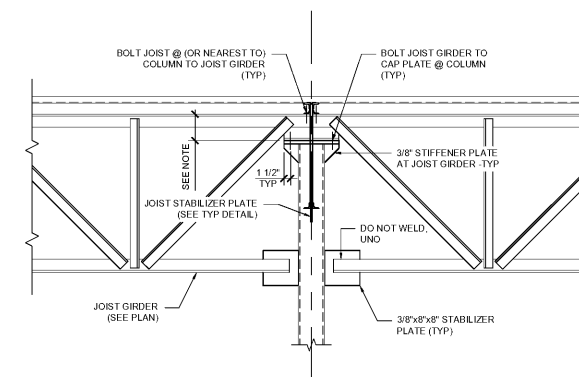
11 SECTION  
SCALE: 3/4" = 1'-0"



8 TYPICAL DECK BEARING AT CMU BLOCK WALL  
SCALE: 3/4" = 1'-0"

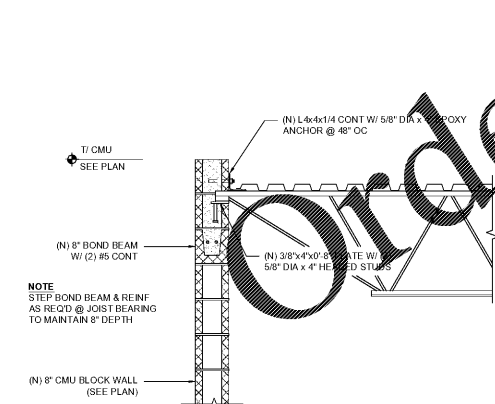


5 SECTION  
SCALE: 3/4" = 1'-0"

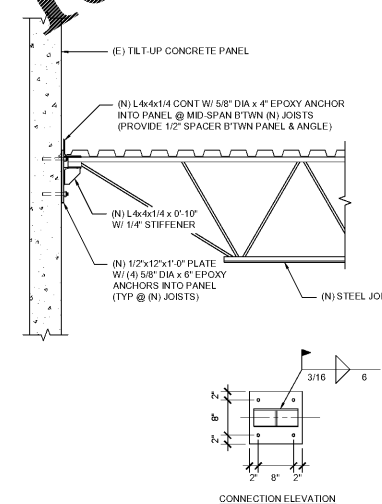


2 TYPICAL JOIST GIRDER AT COLUMN  
SCALE: 3/4" = 1'-0"

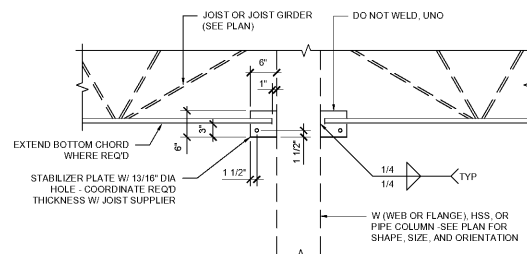
NOTE  
COORDINATE GIRDER SEAT DEPTH AND CAP PLATE ELEVATION TO ENSURE PROPER JOIST BEARING ELEVATION



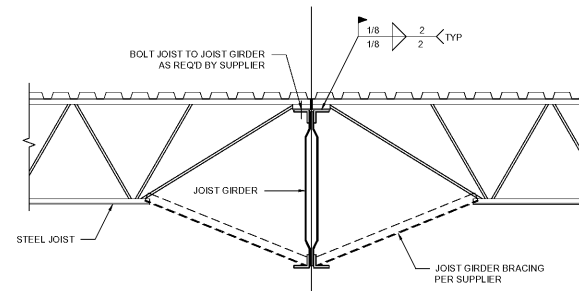
10 TYPICAL JOIST DETAIL AT CMU BLOCK WALL  
SCALE: 3/4" = 1'-0"



7 TYPICAL JOIST DETAIL AT TILT-UP PANEL  
SCALE: 3/4" = 1'-0"



4 TYPICAL COLUMN STABILIZER PLATE DETAIL  
SCALE: 3/4" = 1'-0"



1 TYPICAL SECTION AT JOIST GIRDER  
SCALE: 3/4" = 1'-0"

Order Plans @

WWW.LDILine.com