

PHILLIPS architects + engineers

770.394.1616



DEL VALLE + MCNEIL, LLC structural engineers

404.369.0058 dvmstructural.com Project No. 19-201016

CONSULTANT



SEAL

ISSUE & REVISION RECORD

#	DATE	DESCRIPTION
1	05/30/2019	PERMIT SUBMITTAL

TENANT

PROJECT

THE PROMENADE

D'IBERVILLE, MS.

CLIENT

CBL PROPERTIES

3000 Peachtree Dunwoody Rd., Atlanta, GA 30328

PHILLIPS JOB NUMBER 1925-401

ISSUE DATE 05/30/2019

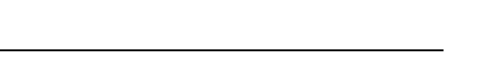
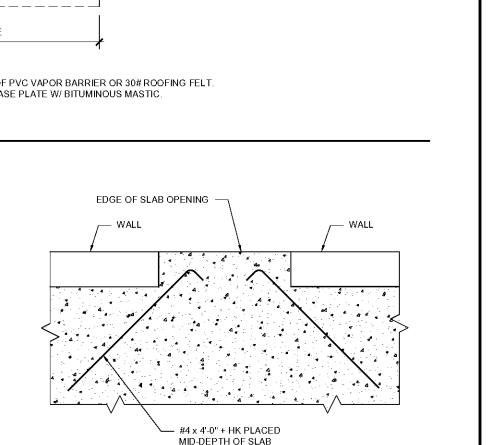
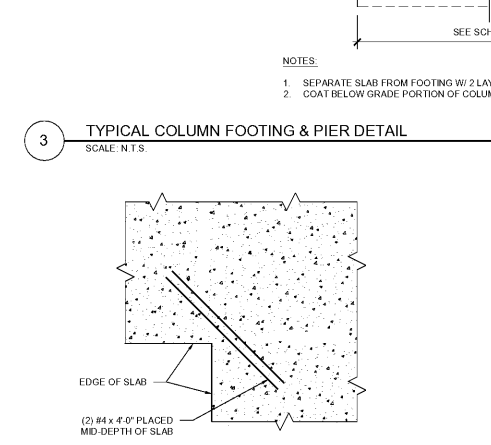
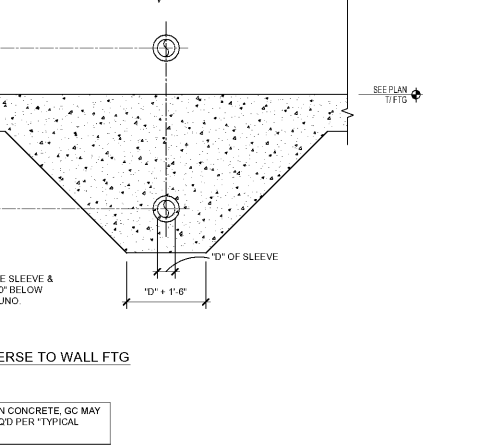
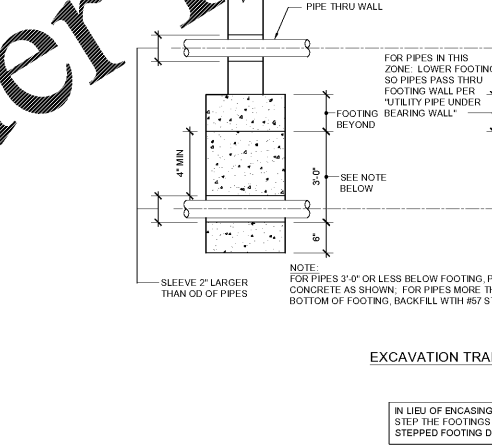
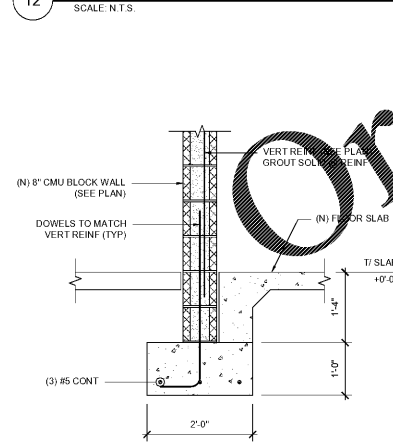
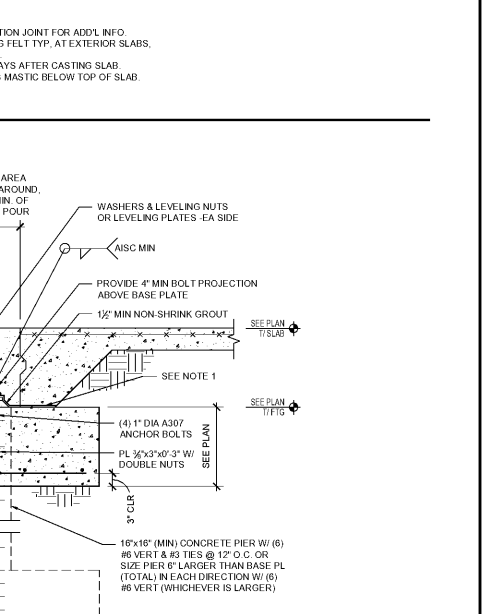
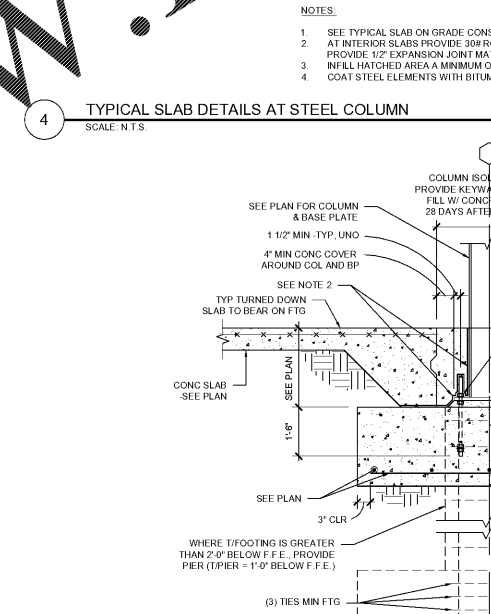
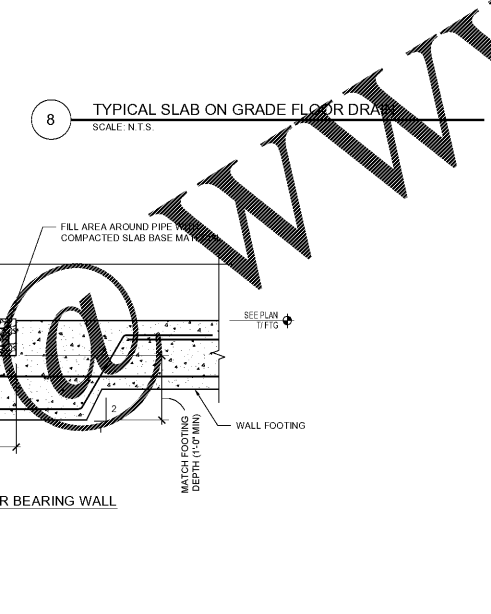
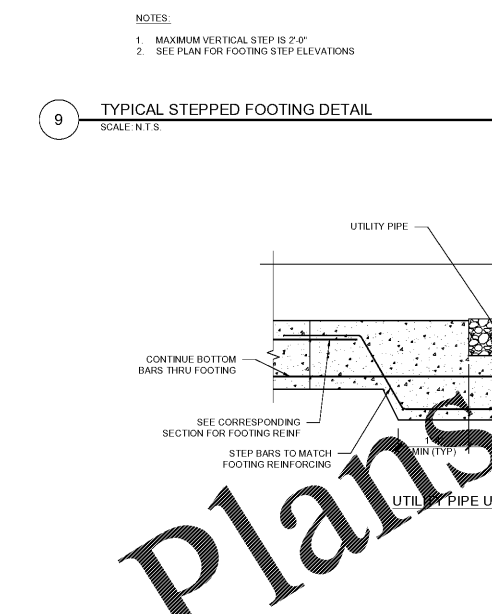
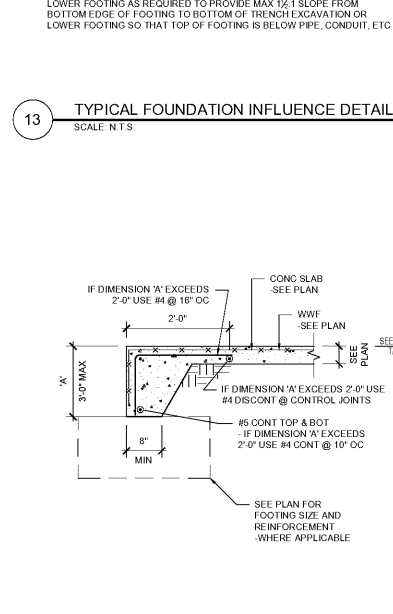
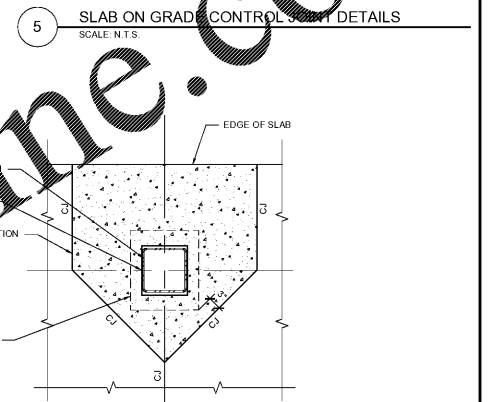
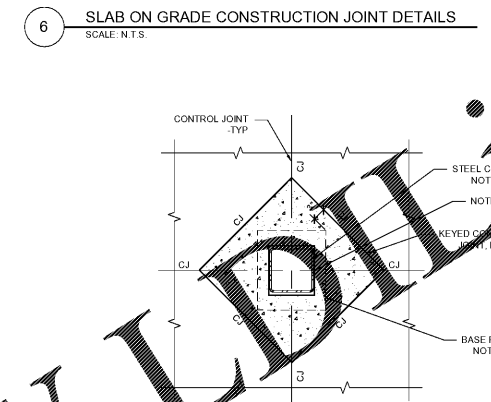
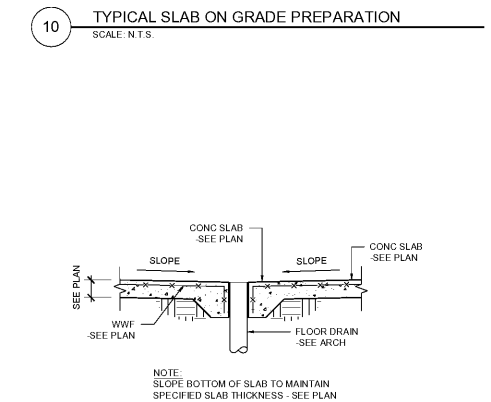
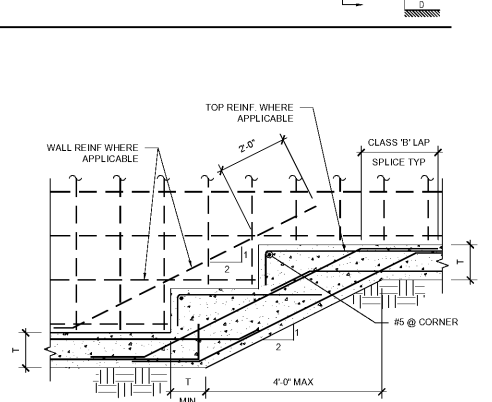
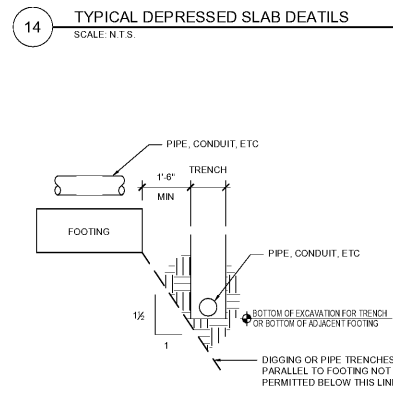
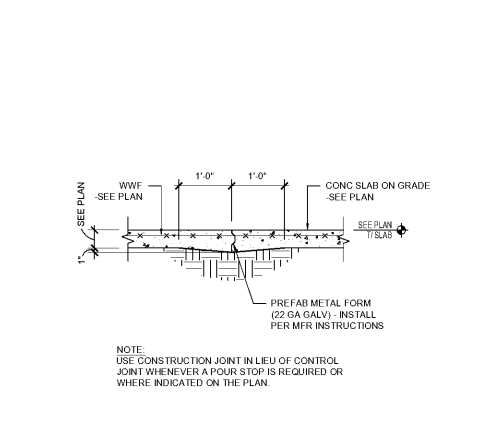
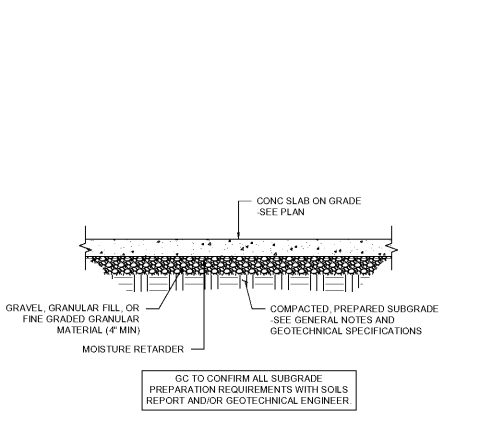
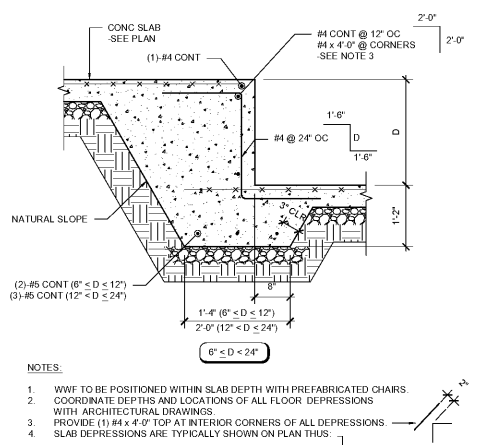
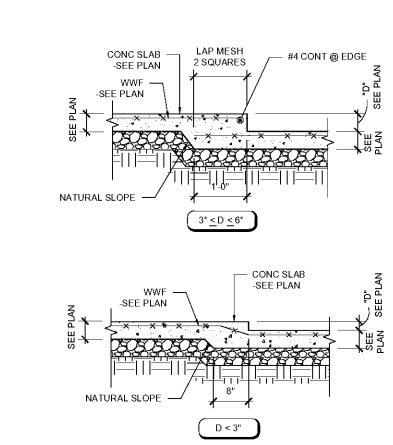
DRAWN BY/CHECKED BY MM

DRAWING TITLE FOUNDATION SECTIONS & DETAILS

SHEET NUMBER

S 4.1

THE PAUSADES 5901 PEACHTREE DUNWOODY RD. BUILDING A, SUITE 450 ATLANTA, GEORGIA 30328



Order Plans @ www.LDOnline.com