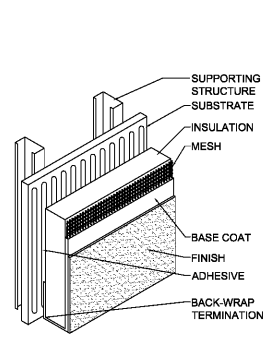
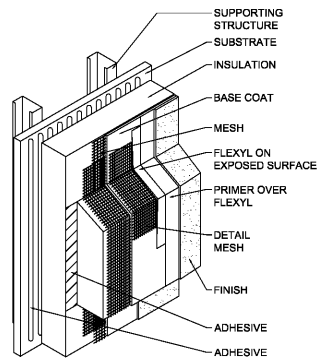


PHILLIPS architects + engineers

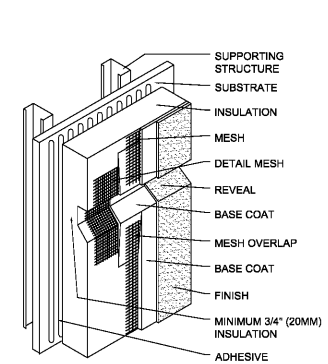
770.394.1616



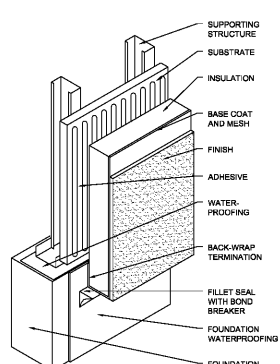
1 TYP. EIFS WALL ON MTL. STUD SCALE: 1/8"



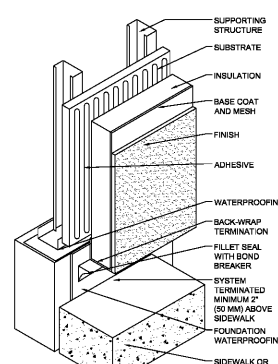
2 TYP. EIFS WALL AT BUILD-OUT ON MTL. STUD SCALE: 1/8"



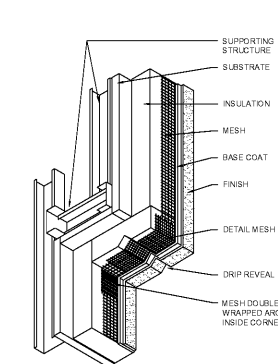
3 TYP. EIFS WALL AT HORIZ. REVEAL ON MTL. STUD SCALE: 1/8"



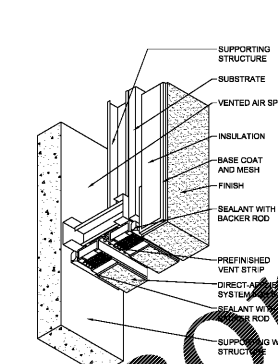
4 TYP. EIFS TERMINATION @ GRADE SCALE: 1/8"



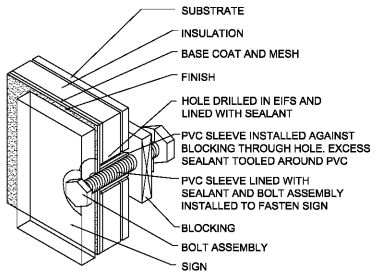
5 TYP. EIFS TERMINATION AT SIDEWALK SCALE: 1/8"



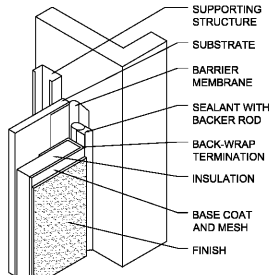
6 TYP. EIFS UNVENTED INSULATED SOFFIT SCALE: 1/8"



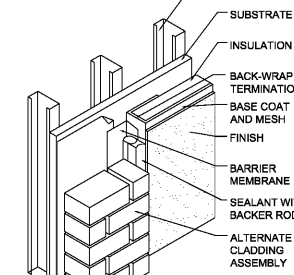
7 TYP. EIFS UNVENTED UNINSULATED SOFFIT SCALE: 1/8"



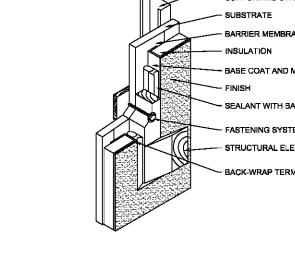
8 TYP. EIFS WALL AT SIGN ATTACHMENT ON MTL. STUD SCALE: 1/8"



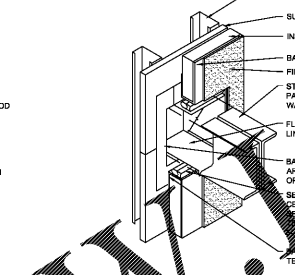
9 TYP. EIFS WALL AT INSIDE CORNER ON MTL. STUD SCALE: 1/8"



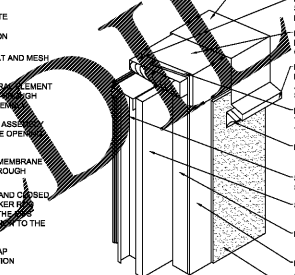
10 TYP. EIFS WALL AT VERT. JOINT BTWN DISSIMILAR MATERIALS ON MTL. STUD SCALE: 1/8"



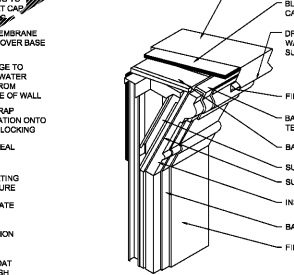
11 TYP. EIFS STRUCTURAL CONNECTION TO SUNSHADE SCALE: 1/8"



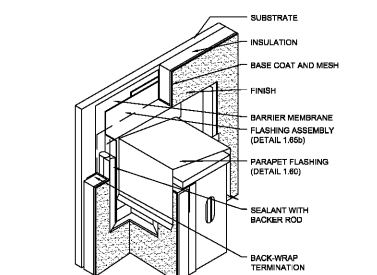
12 TYP. EIFS STRUCTURAL PENETRATION SCALE: 1/8"



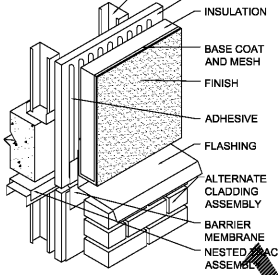
13 TYP. EIFS PARAPET CAP ON MTL. STUDS SCALE: 1/8"



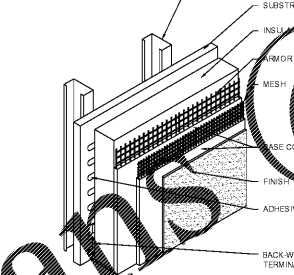
14 TYP. EIFS TERMINATION @ FEATURE PARAPET SCALE: 1/8"



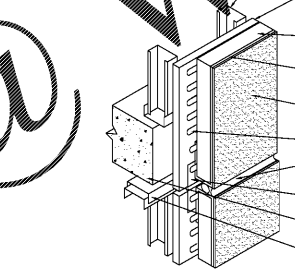
15 TYP. EIFS SADDLE FLASHING ON MTL. STUD SCALE: 1/8"



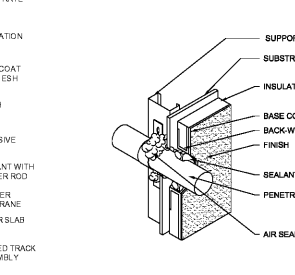
16 TYP. EIFS WALL AT HORIZ. JOINT BTWN DISSIMILAR MATERIALS ON MTL. STUD SCALE: 1/8"



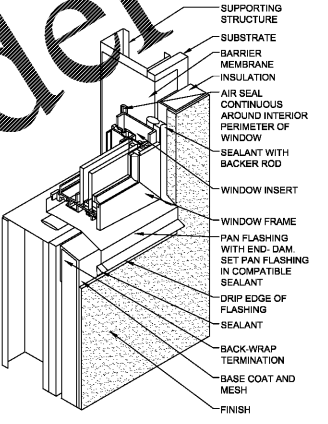
17 TYP. EIFS SYSTEM COMPONENTS WITH HIGH IMPACT SCALE: 1/8"



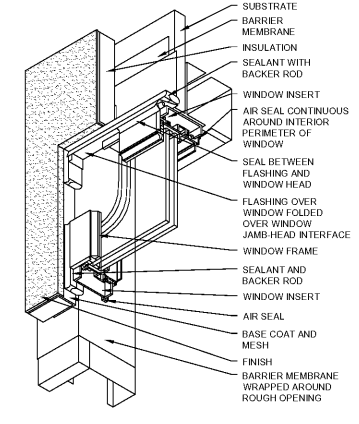
18 TYP. EIFS WALL HORIZONTAL JOINT SCALE: 1/8"



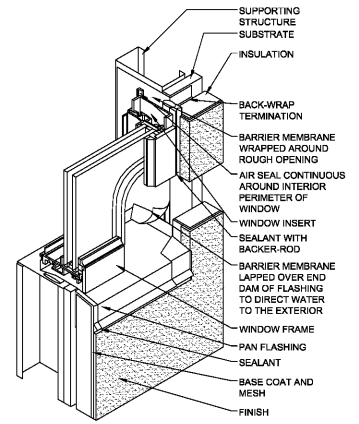
19 TYP. EIFS SYSTEM PREPARED FOR PENETRATION SCALE: 1/8"



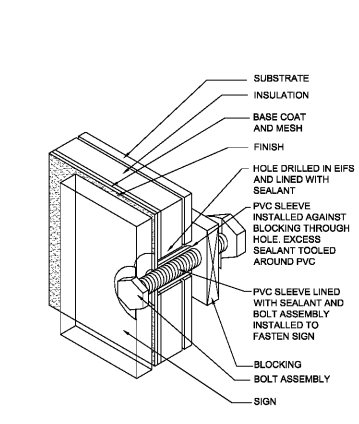
20 TYP. EIFS AT WINDOW SILL ON MTL. STUD SCALE: 1/8"



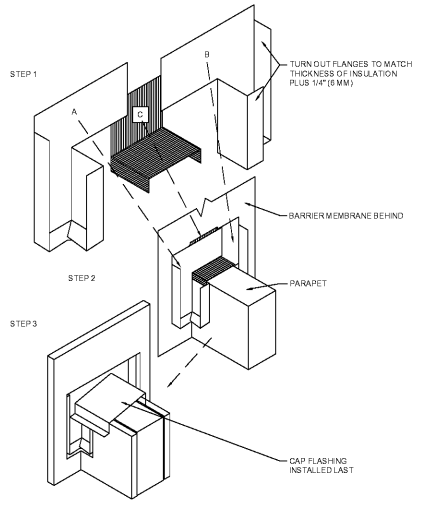
21 TYP. EIFS AT WINDOW HEAD ON MTL. STUD SCALE: 1/8"



22 TYP. EIFS AT WINDOW JAMB ON MTL. STUD SCALE: 1/8"



23 TYP. EIFS SIGN ATTACHMENT SCALE: 1/8"



24 TYP. SADDLE FLASHING ASSEMBLY SCALE: 1/8"

Order Plans @

WWW.DLINE.COM

CONSULTANT \_\_\_\_\_

SEAL \_\_\_\_\_

ISSUE & REVISION RECORD

#	DATE	DESCRIPTION
	05/30/2019	PERMIT SUBMITTAL

TENANT \_\_\_\_\_

PROJECT \_\_\_\_\_

THE PROMENADE  
D'IBERVILLE, MS.

CLIENT \_\_\_\_\_

CBL  
CBL PROPERTIES  
156 Conroy Drive, Suite 200, Dunwoody, GA 30328  
770.424.0001 • 404.252.9827 • info@cblproperties.com

PHILLIPS JOB NUMBER: 1925401  
ISSUE DATE: 05/30/2019  
DRAWN BY/CHECKED BY: MT/GC  
DRAWING TITLE:

TYPICAL DETAILS

SHEET NUMBER \_\_\_\_\_

A-9.1

THE PALISADES  
5901 PEACHTREE DUNWOODY RD.  
BUILDING A, SUITE 150  
ATLANTA, GEORGIA 30328