

PHILLIPS
architects + engineers

770.394.1616

CONSULTANT _____

SCALE _____

ISSUE & REVISION RECORD

#	DATE	DESCRIPTION
1	05/30/2019	PERMIT SUBMITTAL

TENANT _____

PROJECT _____

THE PROMENADE

D'IBERVILLE, MS.

CLIENT _____

CBL

CBL PROPERTIES
5000 Peachtree Dunwoody Rd., Suite 400
Atlanta, Georgia 30328

PHILLIPS JOB NUMBER _____

ISSUE DATE _____

DRAWN BY/CHECKED BY _____

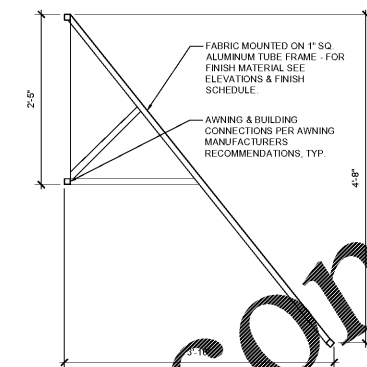
DRAWING TITLE _____

SECTIONS

SHEET NUMBER _____

A-5.2

THE PALISADES
5901 PEACHTREE DUNWOODY RD.
BUILDING A, SUITE 400
ATLANTA, GEORGIA 30328



1 PRE-FINISHED METAL FRAME FOR FABRIC AWNING.

