

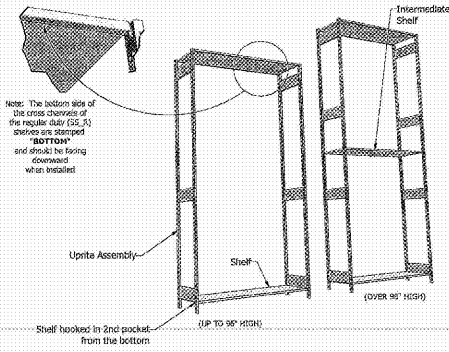
INSTALLATION INSTRUCTIONS

8-SERIES STORAGE SHELVING
BASIC SYSTEM ASSEMBLY INSTRUCTIONS

STARTER SECTION

CAUTION: AT LEAST TWO PEOPLE ARE REQUIRED TO STABILIZE THE SYSTEM DURING ASSEMBLY.

WARNING: REFERENCE PAGE 21 FOR PRODUCT SAFETY INFORMATION.



1. Hold two (2) Uprite assemblies vertical and hook tabs of a shelf into the 2nd pocket from the floor.
2. Insert a shelf near the top of the Uprite and install an Intermediate Shelf on later Uprites. (Over 96" high) The shelf helps stabilize the section. Reference pages 15 & 17 for shelf styles and for proper shelf installation.

WARNING: TO STABILIZE THE FINISHED SYSTEM, A BOTTOM SHELF SHOULD BE INSTALLED WITHIN 6" OF THE FLOOR (UNLESS FLOOR ANCHORS ARE USED. SEE PAGE 7) AND A TOP SHELF WITHIN 12" OF THE TOP OF THE UPRITE. ALSO SHELVES SPACED NO MORE THAN 48" IN EACH SECTION OR THE RISK TO MAINTAIN THE RATED LOAD CARRYING CAPACITY OF THE SYSTEM. SEE SYSTEM & SHELF LOAD CAPACITIES PAGES 15 & 17.

Loyfer 6336 PERSHING DRIVE, OHASKA, MISSOURI 65118 (800) 228-9882 01-04 REV. AA PCDP 81181 10/23/2008 PAGE 3 OF 21

INSTALLATION INSTRUCTIONS

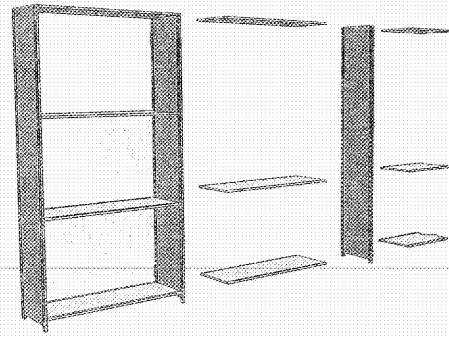
8-SERIES STORAGE SHELVING
CLOSED WOOD STORAGE SHELVING ASSEMBLY INSTRUCTIONS

ADDING SECTIONS:

4. When shelf tabs are present in line with one of the corner brackets of the starter section, hook tabs at other end of shelf into pockets of free uprite. Install remainder of shelves at required positions. Solid wood backs should be attached as instructed by SYSTEM STABILIZING REQUIREMENTS Pages 19 & 20.

WARNING: SOLID WOOD BACKS MUST BE LOCATED, AT A MINIMUM, AS SHOWN BY SYSTEM STABILIZING REQUIREMENTS PAGES 19 & 20.

WARNING: THE SHELVES MUST BE LEVEL AND EACH CORNER MUST FULLY ENGAGE THE UPRITE POCKET.



Loyfer 6336 PERSHING DRIVE, OHASKA, MISSOURI 65118 (800) 228-9882 01-04 REV. AA PCDP 81181 10/23/2008 PAGE 10 OF 21

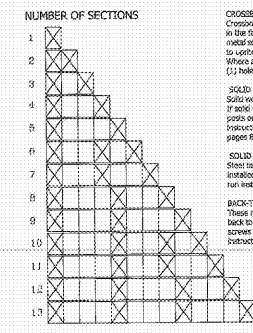
INSTALLATION INSTRUCTIONS

8-SERIES STORAGE SHELVING
SYSTEM STABILIZING REQUIREMENTS

WARNING! ALL RUNS OF STORAGE SHELVING MUST HAVE AT LEAST TWO SECTIONS LATERALLY STABILIZED, AS SHOWN BELOW. (EXCEPT A SINGLE FREE STANDING SECTION)

RUNS MUST BE STABILIZED ON THE END OR STARTER SECTION, AND STABILIZED, AT MINIMUM, ON EVERY FOURTH SECTION THEREAFTER, PLUS STABILIZED ON THE LAST SECTION. FAILURE TO DO THIS MAY RESULT IN PERSONAL INJURY AND PROPERTY DAMAGE.

EXAMPLES OF STABILIZER LOCATIONS:



CROSSBRACE: Crossbraces must be fastened into the small hole in the face of the uprite post with 3/8 x 24" sheet metal screws. DO NOT use pop rivets to fasten crossbraces to Uprites. Start at the bottom as shown on page 10. Where adjacent sections have braces, offset the brace (1) hole on the recessed uprite post.

SOLID WOOD BACKS: Solid wood back panels may be used in place of crossbraces. If solid wood back panels are used in back-to-back runs, the joints on the other side must meet occasionally. See back-to-back instructions for CLOSED WOOD STORAGE SHELVING page 8 line 11.

SOLID STEEL BACKS: Steel back panels may be used in place of crossbraces. Screws must be installed in all slot locations of the steel back panel. See back-to-back instructions for STEEL STORAGE SHELVING pages 12 thru 15.

BACK-TO-BACK RUN BRACING: These runs may share common bracing only if the back to back uprite posts are assembly fastened together with screws or with back-to-back crossbraces. See back to back instructions for individual system of storage shelving.

NOTE: The style and quantity of cross-braces in each braced section depends on the height of the uprites, as shown on page 20.

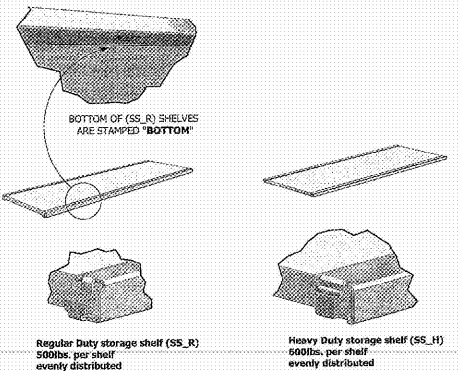
Loyfer 6336 PERSHING DRIVE, OHASKA, MISSOURI 65118 (800) 228-9882 01-04 REV. AA PCDP 81181 10/23/2008 PAGE 19 OF 21

INSTALLATION INSTRUCTIONS

8-SERIES STORAGE SHELVING
SHELF OPTIONS AND SYSTEM LOAD CAPACITIES

WARNING: REFERENCE PAGE 21 FOR PRODUCT SAFETY INFORMATION

NOTE STYLE AND PROPER ORIENTATION OF SHELF HOLES



Regular Duty storage shelf (SS_R)
500lbs per shelf evenly distributed

Heavy Duty storage shelf (SS_H)
600lbs per shelf evenly distributed

Loyfer 6336 PERSHING DRIVE, OHASKA, MISSOURI 65118 (800) 228-9882 01-04 REV. AA PCDP 81181 10/23/2008 PAGE 16 OF 21

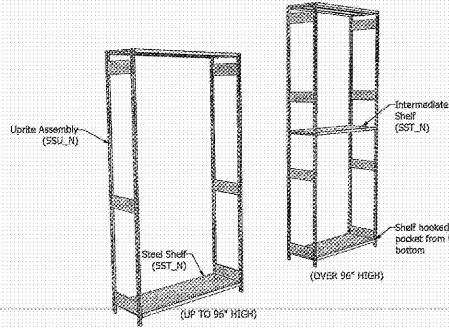
INSTALLATION INSTRUCTIONS

8-SERIES STORAGE SHELVING
STEEL STORAGE SHELVING ASSEMBLY INSTRUCTIONS

STARTER SECTION

CAUTION: AT LEAST TWO PEOPLE ARE REQUIRED TO STABILIZE THE SYSTEM DURING ASSEMBLY.

WARNING: REFERENCE PAGE 21 FOR PRODUCT SAFETY INFORMATION.



1. Hold two (2) Uprite assemblies vertical and hook tabs of a shelf into the 2nd pocket from the floor.
2. Insert a shelf near the top of the Uprite and install an Intermediate Shelf on later Uprites. (Over 96" high) This will help stabilize the system. Reference pages 15 & 17 for shelf styles and for proper shelf installation.

WARNING: TO STABILIZE THE FINISHED SYSTEM, A BOTTOM SHELF SHOULD BE INSTALLED WITHIN 6" OF THE FLOOR (UNLESS FLOOR ANCHORS ARE USED. SEE PAGE 7) AND A TOP SHELF WITHIN 12" OF THE TOP OF THE UPRITE. ALSO SHELVES SPACED NO MORE THAN 48" IN EACH SECTION OR THE RISK TO MAINTAIN THE RATED LOAD CARRYING CAPACITY OF THE SYSTEM. SEE SYSTEM & SHELF LOAD CAPACITIES PAGES 15 & 17.

Loyfer 6336 PERSHING DRIVE, OHASKA, MISSOURI 65118 (800) 228-9882 01-04 REV. AA PCDP 81181 10/23/2008 PAGE 16 OF 21

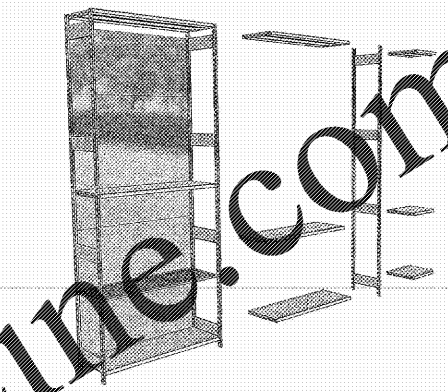
INSTALLATION INSTRUCTIONS

8-SERIES STORAGE SHELVING
STEEL STORAGE SHELVING ASSEMBLY INSTRUCTIONS

ADDING SECTIONS:
4. When shelf tabs are present in line with one of the corner brackets of the starter section, hook tabs at other end of shelf into pockets of free uprite. Install remainder of shelves at required positions. Crossbraces at end back should be attached as instructed by SYSTEM STABILIZING REQUIREMENTS Pages 19 & 20.

WARNING! DO NOT USE POP RIVETS TO FASTEN CROSSBRACES OR BACKS TO UPRITES. ALWAYS USE THE SHELF HOLES. CROSSBRACE MUST BE LOCATED AS SHOWN BY SYSTEM STABILIZING REQUIREMENTS PAGES 19 & 20.

WARNING: THE SHELVES MUST BE LEVEL AND EACH CORNER MUST ENGAGE THE UPRITE POCKET.



Loyfer 6336 PERSHING DRIVE, OHASKA, MISSOURI 65118 (800) 228-9882 01-04 REV. AA PCDP 81181 10/23/2008 PAGE 14 OF 21

FOR REFERENCE ONLY

ENGINEER

ARCHITECTURAL SEAL

DATE ISSUE

DATE	REVISION	NAME

PROJECT NAME / LOCATION

five BELOW
THE PROMENADE
3942 PROMENADE PARKWAY
D'IBERVILLE, MS 39540

PROJECT INFORMATION

DATE: APRIL 26, 2019
PROJECT NO. 190219
DELIVERY TYPE: V-BOX

DRAWN: BLH
CHECKED: TMO

SHEET TITLE / NUMBER

GONDOLA & SHELVING
DETAILS

F2.1

Order Plans @ www.LDOnline.com