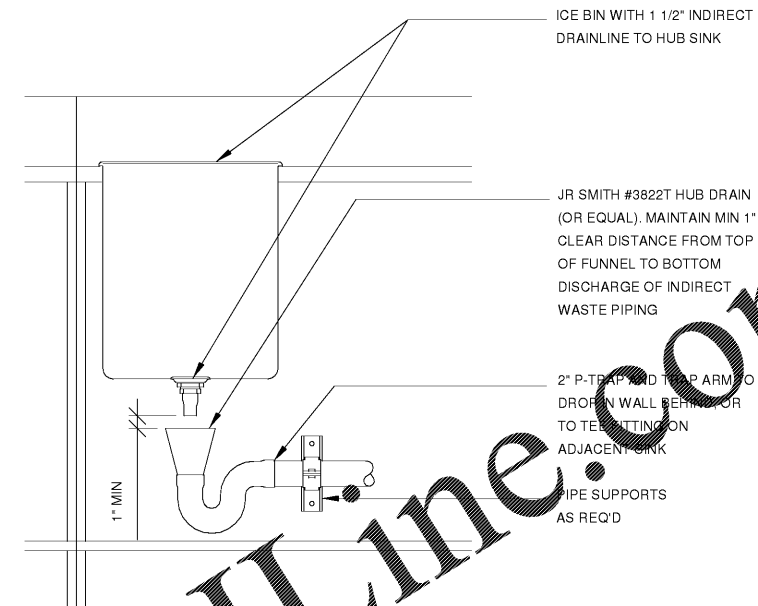


1 MASTRENA WATER SUPPLY INSTALLATION

Scale: NTS

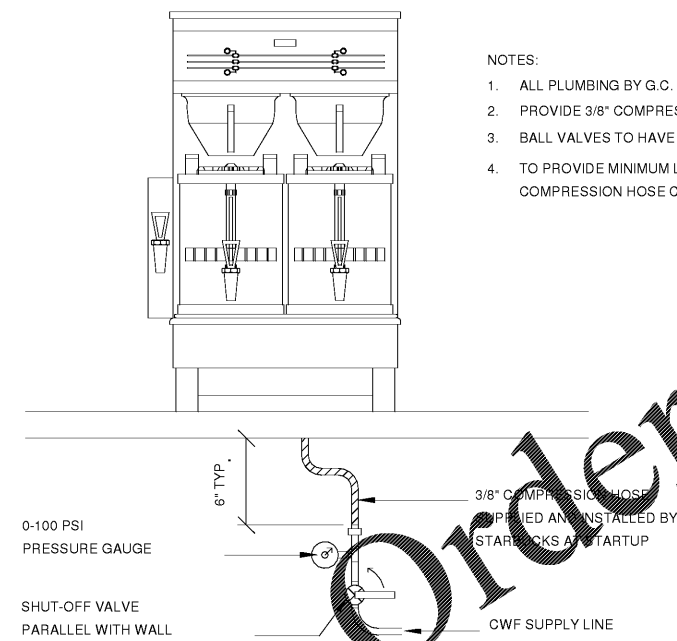
NOTES:

1. ALL PLUMBING BY G.C. AT ESPRESSO BAR SHALL BE INSTALLED USING COPPER PIPING, U.O.N. (NO TUBING)
2. PROVIDE 3/8" COMPRESSION (MALE) CONNECTORS FOR STARBUCKS TO CONNECT COMPRESSION HOSE AS SHOWN.
3. BALL VALVES TO HAVE FULL-SIZE HANDLES (NO MINIS), 90-DEGREE SHUT-OFF COORDINATE EXACT MOUNTING LOCATION WITH UNDERCOUNTER REFRIGERATOR(S)
4. TO PROVIDE MINIMUM LENGTH OF COMPRESSION HOSE ALL PLUMBING LINES SHALL BE SECURED TO CASEWORK DIEWALLS @ 1'-6" O.C. MAX. FROM STUB UP TO COMPRESSION HOSE CONNECTOR.



2 ICE BIN HUB DRAIN

Scale: NTS

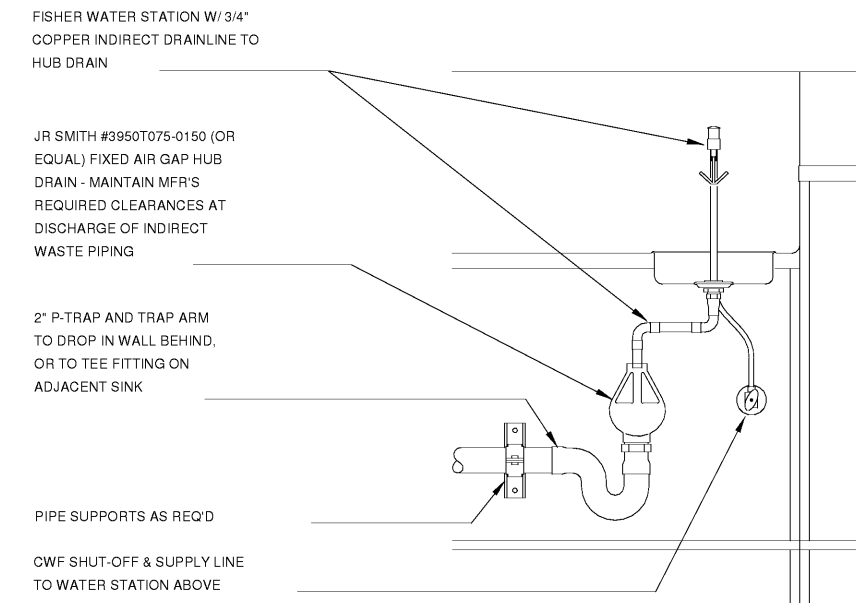


3 BREWER WATER SUPPLY INSTALLATION

Scale: NTS

NOTES:

1. ALL PLUMBING BY G.C. AT ESPRESSO BAR SHALL BE INSTALLED USING COPPER PIPING, U.O.N. (NO TUBING)
2. PROVIDE 3/8" COMPRESSION (MALE) CONNECTORS FOR STARBUCKS TO CONNECT COMPRESSION HOSE AS SHOWN.
3. BALL VALVES TO HAVE FULL-SIZE HANDLES (NO MINIS), 90-DEGREE SHUT-OFF COORDINATE EXACT MOUNTING LOCATION WITH UNDERCOUNTER REFRIGERATOR(S)
4. TO PROVIDE MINIMUM LENGTH OF COMPRESSION HOSE ALL PLUMBING LINES SHALL BE SECURED TO CASEWORK DIEWALLS @ 1'-6" O.C. MAX. FROM STUB UP TO COMPRESSION HOSE CONNECTOR.



4 WATER STATION HUB DRAIN

Scale: NTS



STARBUCKS
2401 UTAH AVENUE SOUTH
SEATTLE, WASHINGTON 98134
(206) 318-1575

THESE DRAWINGS AND THE PROJECT MANUAL ARE CONFIDENTIAL AND SHALL REMAIN THE SOLE PROPERTY OF STARBUCKS CORPORATION, WHICH IS THE OWNER OF THE COPYRIGHT IN THIS WORK. THEY SHALL NOT BE REPRODUCED (IN WHOLE OR IN PART), SHARED WITH THIRD PARTIES OR USED IN ANY MANNER ON OTHER PROJECTS OR EXTENSIONS TO THIS PROJECT WITHOUT THE PRIOR WRITTEN CONSENT OF STARBUCKS CORPORATION. THESE DRAWINGS AND SPECIFICATIONS ARE INTENDED TO EXPRESS DESIGN INTENT FOR A PROTOTYPICAL STARBUCKS STORE (WHICH IS SUBJECT TO CHANGE AT ANY TIME) AND DO NOT REFLECT ACTUAL SITE CONDITIONS. NEITHER PARTY SHALL HAVE ANY OBLIGATION NOR LIABILITY TO THE OTHER (EXCEPT STATED ABOVE) UNTIL A WRITTEN AGREEMENT IS FULLY EXECUTED BY BOTH PARTIES.

STARBUCKS TEMPLATE VERSION I2019.01.11

Jason M. Scates
P.E.

SUITE 5274 478-636-0004
1805 N 2ND ST JOB NO.: 23138
ROGERS, AR 72756 DESIGNED BY: RAC



PROJECT NAME:
CUSICK & ALCOA

PROJECT ADDRESS:
121 CUSICK ROAD
ALCOA, TN 37701
BLOUNT COUNTY

STORE #: 11293
PROJECT #: 36099-035
ISSUE DATE: 04.26.19
DESIGN MANAGER: L. MACEDA
PRODUCTION DESIGNER: RAC
CHECKED BY: JMS

| Revision Schedule | | | |
|-------------------|------|----|-------------|
| Rev | Date | By | Description |
| | | | |
| | | | |
| | | | |

SHEET TITLE:
PLUMBING DETAILS

SCALE: AS SHOWN

SHEET NUMBER:
P503

CONSTRUCTION DOCUMENTS - ISSUED FOR CONSTRUCTION USE

Order Plans @ WWW.LDILine.com