

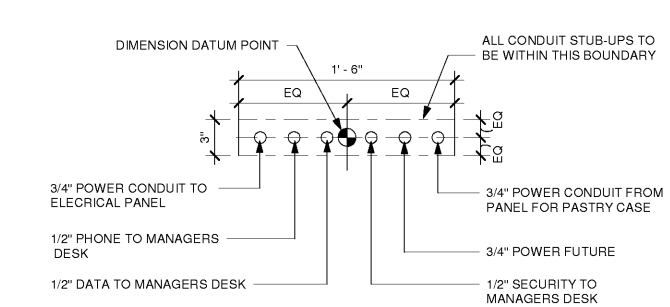
SHEET NOTES

- 1 SAW OUT FLOOR WHERE REQUIRED.
- 2 ALL CONDUITS TO STUB UP AND ROUTE THROUGH WALL INDICATED TO ABOVE CEILING. THEN PROCEED ABOVE CEILING(S) TO PANELBOARD AND/OR DATA RACK.

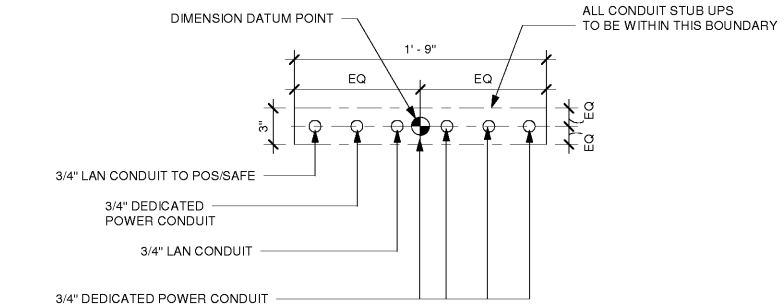
ELECTRICAL UNDERSLAB PLAN NOTES

- A. E.C. SHALL PROVIDE PULLSTRINGS THROUGH ALL CONDUITS. STUB CONDUITS UP IN LOCATIONS PER ARCHITECTURAL SHEETS BASED ON QUANTITIES FOUND ON THIS SHEET.
- B. ALL CONDUITS TO BE 3/4" PVC UNLESS NOTED OTHERWISE. ALL STUB-UPS TO BE RIGID STEEL. E.C. SHALL PROTECT ALL CONDUIT OPENINGS FROM CONTAMINANTS AFTER INSTALLATION.
- C. IF POSSIBLE, ALL STUB-UPS SHALL BE 4" O.C. MINIMUM.
- D. ALL CONDUITS SHALL BE LABELED FOR CLARITY.

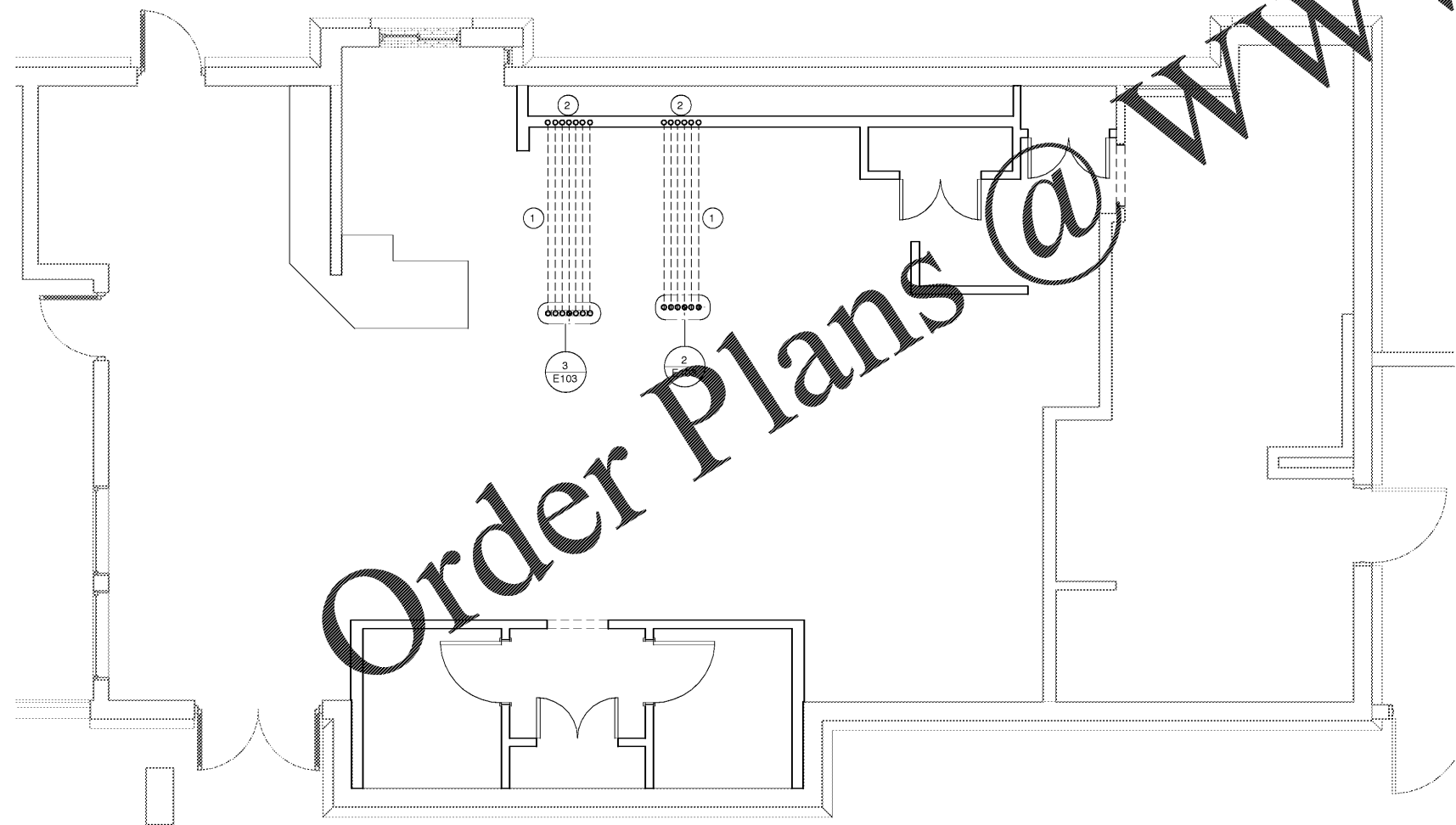
ELECTRICAL DRAWINGS ARE BASED UPON SCOPED WORK PROVIDED BY ARCHITECT AND LIMITED INFORMATION GATHERED FROM SITE SURVEY AND PREVIOUS CONSTRUCTION DRAWINGS, AND MAY NOT REFLECT EXACT "AS-BUILT" CONDITIONS. ELECTRICAL CONTRACTOR SHALL VERIFY EXISTING CONDITIONS, SIZES AND SPECIFICATIONS OF EQUIPMENT PRIOR TO FINAL BIDDING. CONDITIONS ARE FOUND TO BE DIFFERENT THAN SHOWN, NOTIFY THE ENGINEER OF RECORD.



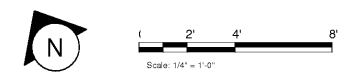
2 STUB UPS - DOUBLE POS/SAFE
Scale: 1 1/2" = 1'-0"



3 STUB UPS - ESPRESSO BAR
Scale: 1 1/2" = 1'-0"



1 ELECTRICAL UNDERSLAB PLAN
Scale: 1/4" = 1'-0"



CONSTRUCTION DOCUMENTS - ISSUED FOR CONSTRUCTION USE

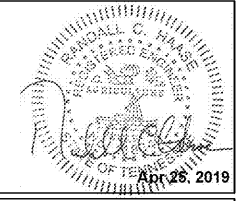


STARBUCKS®
2401 UTAH AVENUE SOUTH
SEATTLE, WASHINGTON 98134
(206) 318-1575

THESE DRAWINGS AND THE PROJECT MANUAL ARE CONFIDENTIAL AND SHALL REMAIN THE SOLE PROPERTY OF STARBUCKS CORPORATION, WHICH IS THE OWNER OF THE COPYRIGHT IN THIS WORK. THEY SHALL NOT BE REPRODUCED (IN WHOLE OR IN PART), SHARED WITH THIRD PARTIES OR USED IN ANY MANNER ON OTHER PROJECTS OR EXTENSIONS TO THIS PROJECT WITHOUT THE PRIOR WRITTEN CONSENT OF STARBUCKS CORPORATION. THESE DRAWINGS AND SPECIFICATIONS ARE INTENDED TO EXPRESS DESIGN INTENT FOR A PROTOTYPICAL STARBUCKS STORE (WHICH IS SUBJECT TO CHANGE AT ANY TIME) AND DO NOT REFLECT ACTUAL SITE CONDITIONS. NEITHER PARTY SHALL HAVE ANY OBLIGATION NOR LIABILITY TO THE OTHER (EXCEPT STATED ABOVE) UNTIL A WRITTEN AGREEMENT IS FULLY EXECUTED BY BOTH PARTIES.

STARBUCKS TEMPLATE VERSION I2019.01.11

Randall C. Haase
P.E.
479-636-5004
1855 N. 2ND ST. JOE NO.: 23118
ROGERS, AR 72756 DESIGNED BY: LES



PROJECT NAME:
CUSICK & ALCOA

PROJECT ADDRESS:
**121 CUSICK ROAD
ALCOA, TN 37701
BLOUNT COUNTY**

STORE #: 11293
PROJECT #: 36099-035
ISSUE DATE: 04.25.19
DESIGN MANAGER: L. MACEDA
PRODUCTION DESIGNER: LES
CHECKED BY: WAJ

Revision Schedule			
Rev	Date	By	Description

SHEET TITLE:
ELECTRICAL UNDERSLAB PLAN
SCALE: AS SHOWN

SHEET NUMBER:
E103