



STARBUCKS COFFEE COMPANY
 2401 UTAH AVENUE SOUTH
 SEATTLE, WASHINGTON 98134
 (206) 318-1575

THESE DRAWINGS AND SPECIFICATIONS ARE CONFIDENTIAL AND SHALL REMAIN THE SOLE PROPERTY OF STARBUCKS CORPORATION, WHICH IS THE OWNER OF THE COPYRIGHT IN THIS WORK. THEY SHALL NOT BE REPRODUCED IN WHOLE OR IN PART, SHARED WITH THIRD PARTIES OR USED IN ANY MANNER ON OTHER PROJECTS OR EXTENSIONS TO THIS PROJECT WITHOUT THE PRIOR WRITTEN CONSENT OF STARBUCKS CORPORATION. THESE DRAWINGS AND SPECIFICATIONS ARE INTENDED TO EXPRESS DESIGN INTENT FOR A PROTOTYPICAL STARBUCKS STORE (WHICH IS SUBJECT TO CHANGE AT ANY TIME) AND DO NOT REFLECT ACTUAL SITE CONDITIONS. NEITHER PARTY SHALL HAVE ANY OBLIGATION NOR LIABILITY TO THE OTHER (EXCEPT AS STATED ABOVE) UNTIL A WRITTEN AGREEMENT IS FULLY EXECUTED BY BOTH PARTIES.

STARBUCKS TEMPLATE VERSION (2018.10.16)

MJM ARCHITECTS
 ARCHITECTURE
 PLANNING
 INTERIORS
 GRAPHICS

112 4TH AVENUE SOUTH
 NASHVILLE, TN 37203
 (615) 244-8175
 (615) 244-8141
 www.mjm-arch.com



PROJECT NAME:
CUSICK & ALCOA

PROJECT ADDRESS:
 121 CUSICK ROAD
 ALCOA, TN 37701
 BLOUNT COUNTY

STORE #: 11293
 PROJECT #: 36099-035
 ISSUE DATE: 04.26.19
 DESIGN MANAGER: L. MACEDA
 LEED AP: N/A
 PRODUCTION DESIGNER: C. POBST
 CHECKED BY: MJM

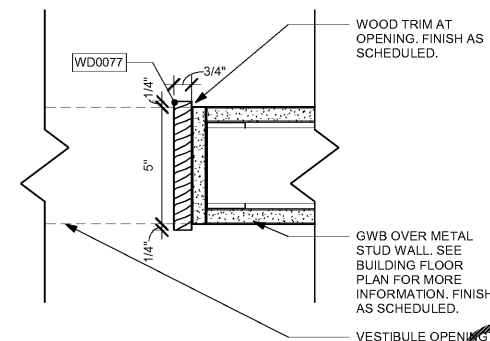
REVISION SCHEDULE			
REV	DATE	BY	DESCRIPTION

SHEET TITLE:
INTERIOR DETAILS

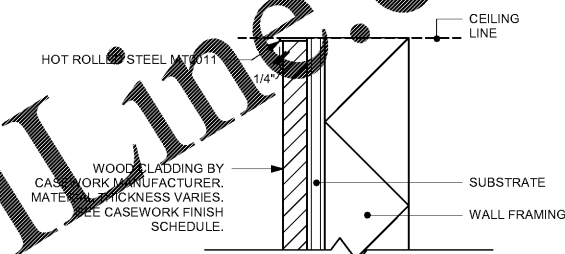
SCALE: AS SHOWN

SHEET NUMBER:

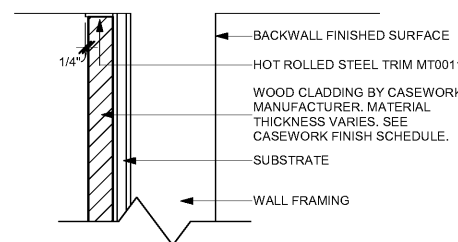
1505



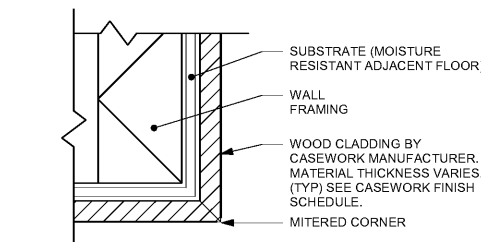
1 X4006 - DOOR FRAME DETAIL
 Scale: 3" = 1'-0"



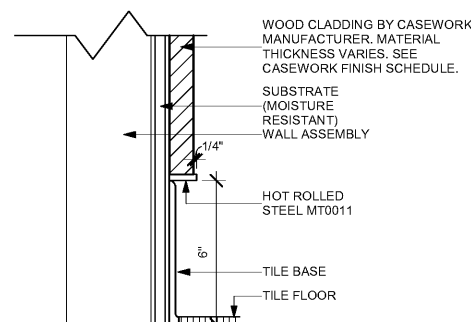
2 CLADDING AT CEILING
 Scale: 3" = 1'-0"



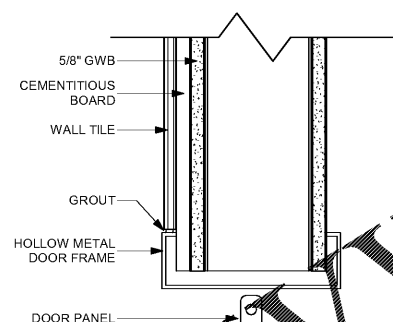
3 CLADDING AT FINISHED WALL
 Scale: 3" = 1'-0"



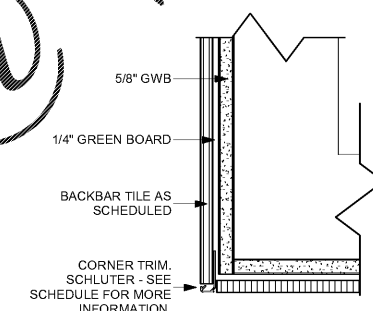
4 CLADDING AT CORNER
 Scale: 3" = 1'-0"



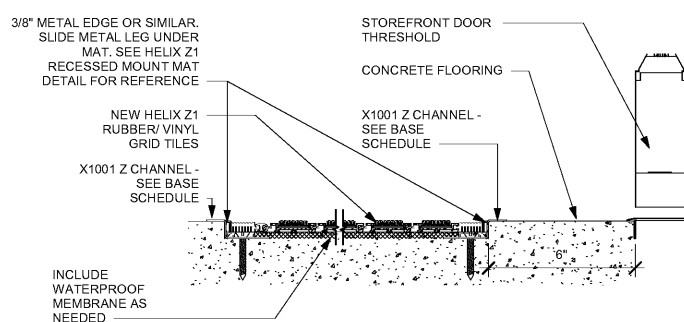
5 CLADDING AT BASE
 Scale: 3" = 1'-0"



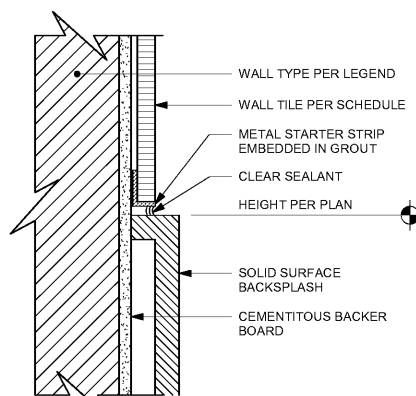
6 WALL TILE AT DOOR FRAME
 Scale: 3" = 1'-0"



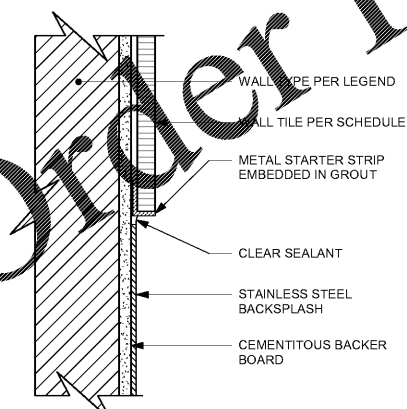
7 WALL TILE TRIM AT OUTSIDE CORNER
 Scale: 3" = 1'-0"



8 TRANSITION - CONCRETE FLOOR TO WALK OFF MAT
 Scale: 3" = 1'-0"



9 SS BACKSPASH TO TILE TRANSITION
 Scale: 6" = 1'-0"



10 SST BACKSPASH TO TILE TRANSITION
 Scale: 6" = 1'-0"

Z:\proj\cm\starbucks\coffee\company\alcoa\Tn-Reno-Cusick & Alcoa\Drawings\11293_TN_Cusick & Alcoa_Revit\Model.rvt 4/26/2019 2:42:59 PM

Order Plans @ www.LDOnline.com