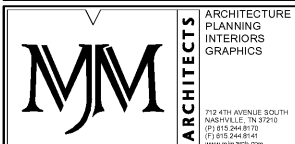




STARBUCKS COFFEE COMPANY
 2401 UTAH AVENUE SOUTH
 SEATTLE, WASHINGTON 98134
 (206) 318-1575

THESE DRAWINGS AND SPECIFICATIONS ARE CONFIDENTIAL AND SHALL REMAIN THE SOLE PROPERTY OF STARBUCKS CORPORATION, WHICH IS THE OWNER OF THE COPYRIGHT IN THIS WORK. THEY SHALL NOT BE REPRODUCED IN WHOLE OR IN PART, SHARED WITH THIRD PARTIES OR USED IN ANY MANNER ON OTHER PROJECTS OR EXTENSIONS TO THIS PROJECT WITHOUT THE PRIOR WRITTEN CONSENT OF STARBUCKS CORPORATION. THESE DRAWINGS AND SPECIFICATIONS ARE INTENDED TO EXPRESS DESIGN INTENT FOR A PROTOTYPICAL STARBUCKS STORE (WHICH IS SUBJECT TO CHANGE AT ANY TIME) AND DO NOT REFLECT ACTUAL SITE CONDITIONS. NEITHER PARTY SHALL HAVE ANY OBLIGATION NOR LIABILITY TO THE OTHER (EXCEPT AS STATED ABOVE) UNTIL A WRITTEN AGREEMENT IS FULLY EXECUTED BY BOTH PARTIES.

STARBUCKS TEMPLATE VERSION: 2018.10.16



PROJECT NAME:
CUSICK & ALCOA

PROJECT ADDRESS:
**121 CUSICK ROAD
ALCOA, TN 37701
BLOUNT COUNTY**

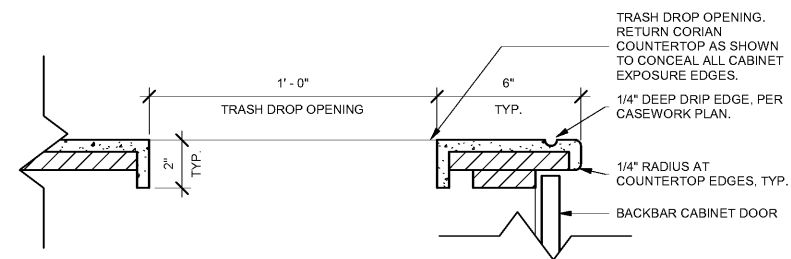
STORE #: 11293
 PROJECT #: 36099-035
 ISSUE DATE: 04.26.19
 DESIGN MANAGER: L. MACEDA
 LEED AP: N/A
 PRODUCTION DESIGNER: C. POBST
 CHECKED BY: M.J.M.

REVISION SCHEDULE			
REV	DATE	BY	DESCRIPTION

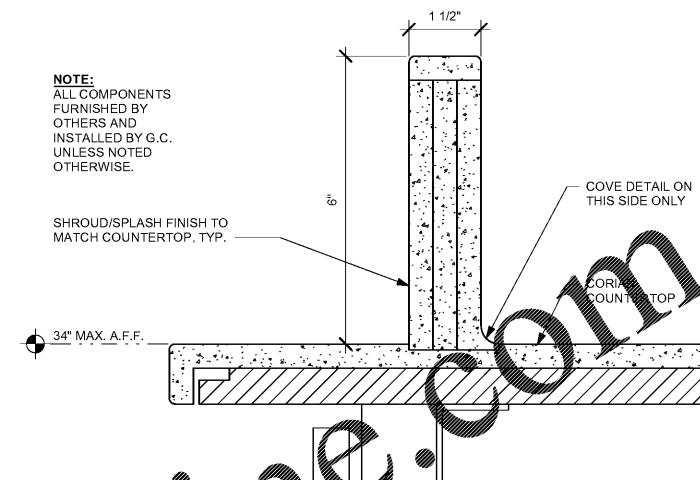
SHEET TITLE:
INTERIOR DETAILS

SCALE: AS SHOWN

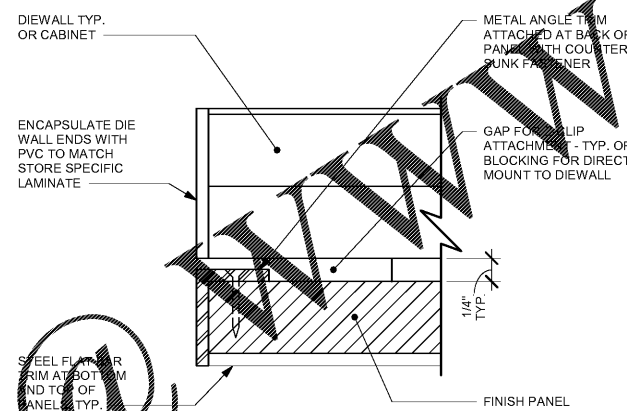
SHEET NUMBER:
1502



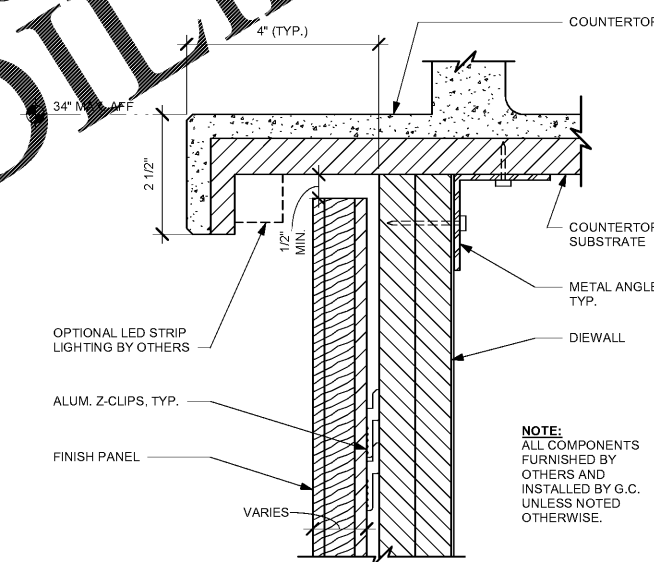
2 CASEWORK DETAIL - TRASH DROP
 Scale: 3/4" = 1'-0"



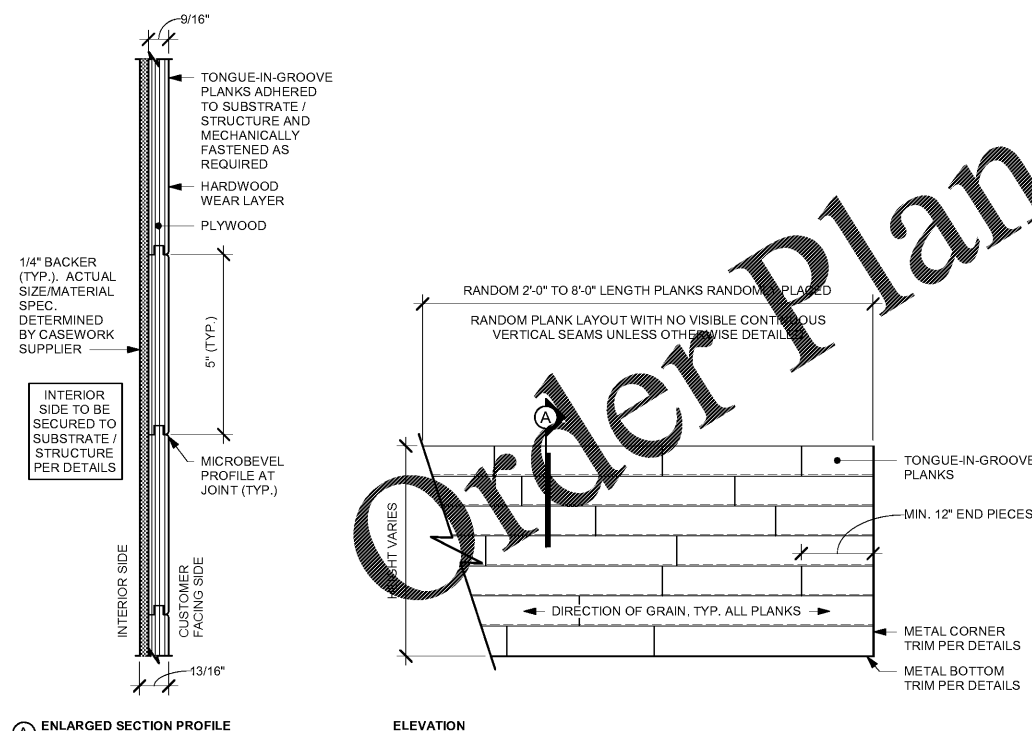
1 ESP SHROUD CORIAN
 Scale: 6" = 1'-0"



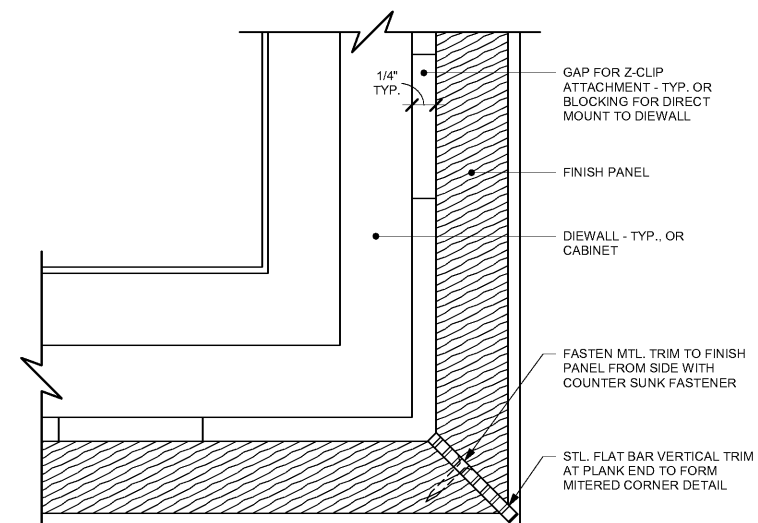
4 TYPICAL DETAIL AT FINISH PANEL END - VERTICAL METAL TRIM
 Scale: 1/2" = 1'-0"



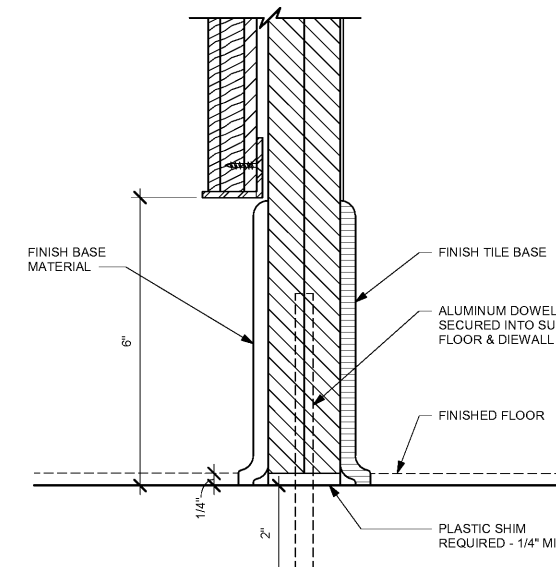
3 FINISH PANEL - BUILT-UP COUNTERTOP OVERHANG
 Scale: 6" = 1'-0"



7 FINISH APPLICATION (MAD 100-H) FIXED WIDTH WIDE PLANK
 Scale: 3/4" = 1'-0"



6 MITER DETAIL AT VERTICAL CORNER TRIM
 Scale: 1/2" = 1'-0"



5 FINISH PANEL - 6" BASE
 Scale: 6" = 1'-0"

Z:\projects\starbucks\10889-Starbucks Coffee Company\Alcoa - TN-Reno-Cusick & Alcoa\Drawings\11293_TN_Cusick & Alcoa_Revit\Model.rvt 4/29/2019 2:42:56 PM