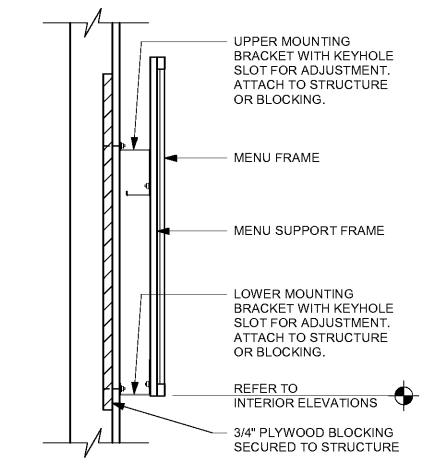


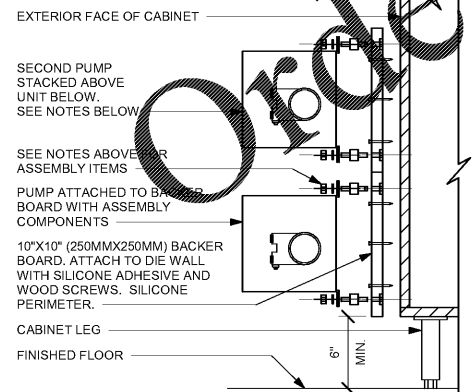
- NOTES:**
- ALL 24"x48" CEILING LIGHT FIXTURES AND 24"x24" HVAC AIR REGISTERS SHALL BE SUPPORTED BY A MINIMUM OF (2) HANGERS @ OPPOSITE CORNERS. CEILING SYSTEM SHALL NOT SUPPORT OTHER ITEMS.
 - ALL INTERIOR WALL AND CEILING FINISHES SHALL BE INSTALLED TO CLASS III FLAME SPREAD.
 - 45-DEGREE BRACE WIRES AND COMPRESSION STUDS ARE TO BE PROVIDED ONLY IF REQUIRED BY LOCAL BUILDING DEPARTMENT.

8 T-BAR CEILING DETAIL
Scale: 3/4" = 1'-0"

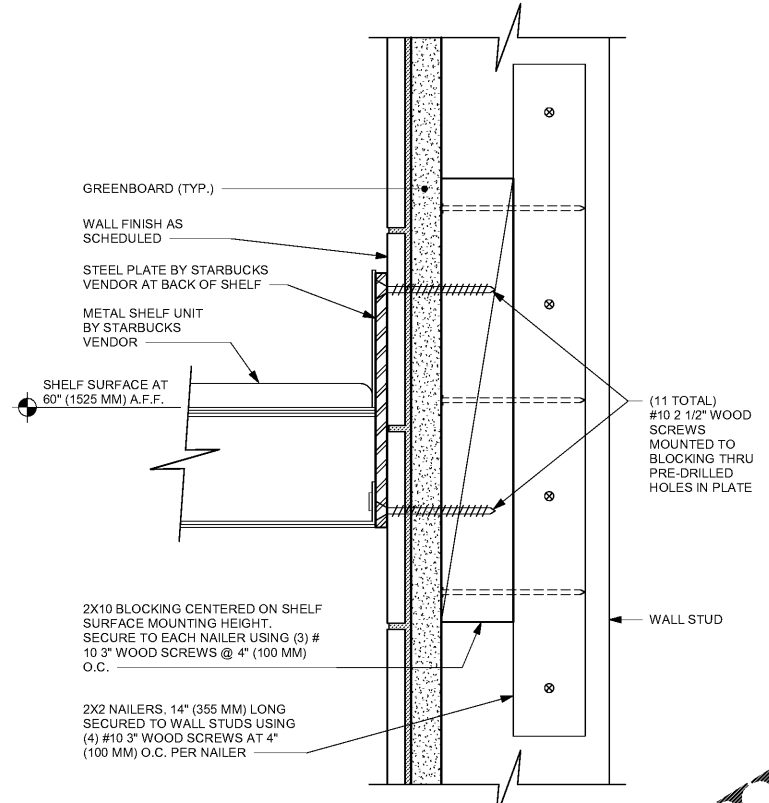


3 MENU - WALL MOUNT
Scale: 1 1/2" = 1'-0"

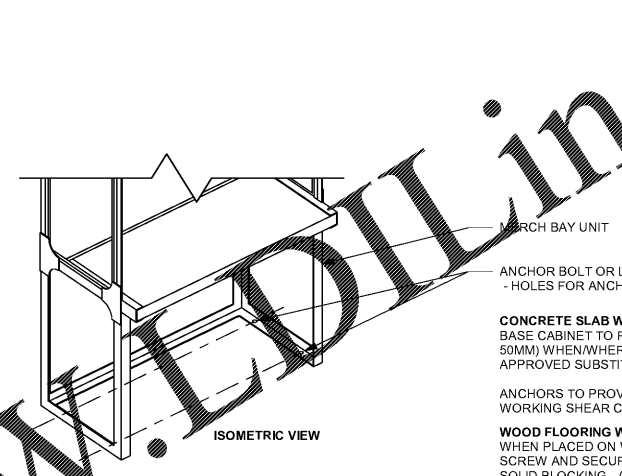
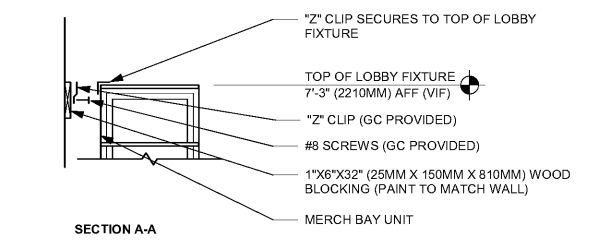
- NOTES:**
- LOCATE PUMP WITHIN CORD LENGTH LIMIT. ORIENT WITH PUMP HEAD LEFT, RIGHT AND AT BOTTOM. LOOSEN PUMP HEAD CLAMP, ROTATE AND RE-TIGHTEN AS REQUIRED PER ORIENTATION TO PROVIDE FRONT ACCESS TO FLOW. ADJUSTMENT WITHIN CORD LENGTH LIMIT.
 - USE LOCKTITE ON ISOLATOR THREADS. DO NOT OVER TIGHTEN.
 - LOOSEN PUMP HEAD CLAMP, ROTATE AND RE-TIGHTEN AS REQUIRED FOR PUMP ORIENTATION.
 - BACKER BOARD ASSEMBLY INCLUDES:
 - (1) BACKER BOARD
 - (4) TENETS, 1/4-20 VENDOR MOUNTED
 - (8) WOOD SCREWS #8 1-1/4" (32MM)
 - (4) NEOPRENE ISOLATORS, KARMAN RUBBER, K84-60 NEOPRENE
 - (4) LOCK NUTS, 1/4-20 NYLON
 - (4) WASHERS, 1/4" (7MM) FLAT



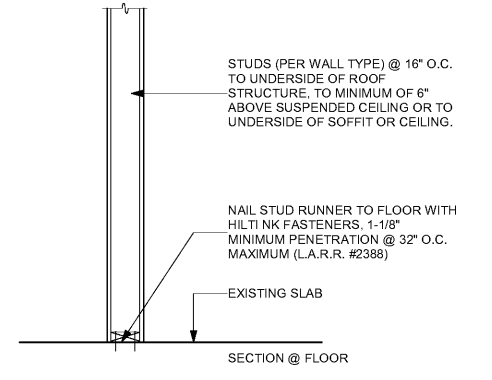
7 ESPRESSO PUMP MOUNTED AT CABINET
Scale: 1 1/2" = 1'-0"



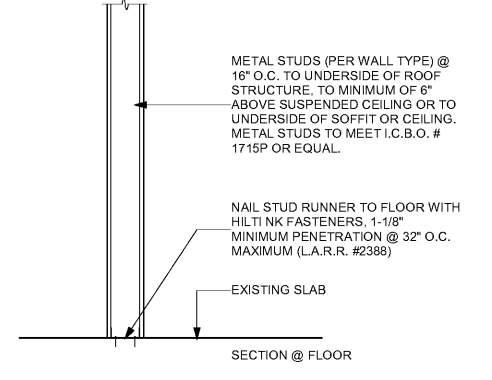
2 METAL TEA SHELF WOOD WALL ATTACHMENT
Scale: 6" = 1'-0"



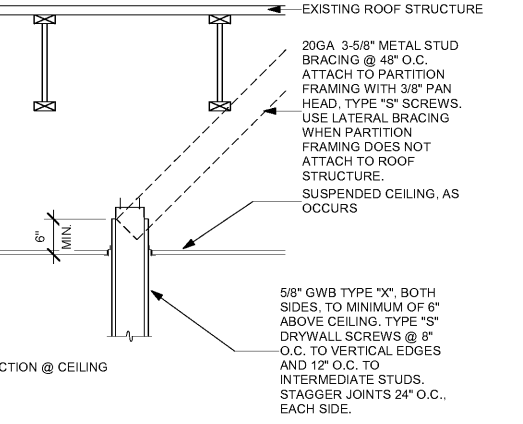
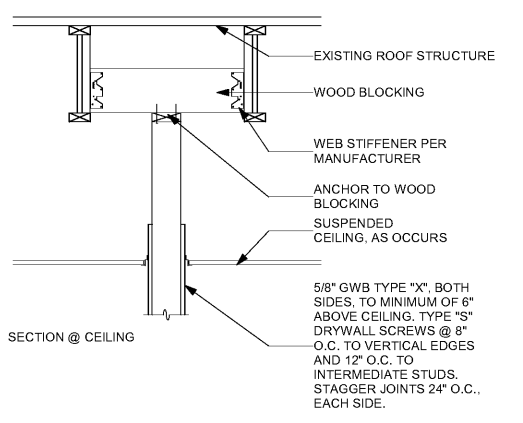
1 MERCH BAY WALL BACKING
Scale: 3/4" = 1'-0"



4 NEW PARTITION WALL TO STRUCTURE
Scale: 3/4" = 1'-0"



5 NEW PARTITION WALL 6" ABOVE CEILING
Scale: 3/4" = 1'-0"



STARBUCKS COFFEE COMPANY
2401 UTAH AVENUE SOUTH
SEATTLE, WASHINGTON 98134
(206) 318-1575

THESE DRAWINGS AND SPECIFICATIONS ARE CONFIDENTIAL AND SHALL REMAIN THE SOLE PROPERTY OF STARBUCKS CORPORATION, WHICH IS THE OWNER OF THE COPYRIGHT IN THIS WORK. THEY SHALL NOT BE REPRODUCED IN WHOLE OR IN PART, SHARED WITH THIRD PARTIES OR USED IN ANY MANNER ON OTHER PROJECTS OR EXTENSIONS TO THIS PROJECT WITHOUT THE PRIOR WRITTEN CONSENT OF STARBUCKS CORPORATION. THESE DRAWINGS AND SPECIFICATIONS ARE INTENDED TO EXPRESS DESIGN INTENT FOR A PROTOTYPICAL STARBUCKS STORE (WHICH IS SUBJECT TO CHANGE AT ANYTIME) AND DO NOT REFLECT ACTUAL SITE CONDITIONS. NEITHER PARTY SHALL HAVE ANY OBLIGATION NOR LIABILITY TO THE OTHER (EXCEPT AS STATED ABOVE) UNTIL A WRITTEN AGREEMENT IS FULLY EXECUTED BY BOTH PARTIES.

STARBUCKS TEMPLATE VERSION: 2018.10.16



PROJECT NAME:
CUSICK & ALCOA

PROJECT ADDRESS:
121 CUSICK ROAD
ALCOA, TN 37701
BLOUNT COUNTY

STORE #:	11293
PROJECT #:	36099-035
ISSUE DATE:	04.26.19
DESIGN MANAGER:	L. MACEDA
LEED AP:	N/A
PRODUCTION DESIGNER:	C. POBST
CHECKED BY:	MJM

REVISION SCHEDULE			
REV	DATE	BY	DESCRIPTION

SHEET TITLE:
INTERIOR DETAILS

SCALE: AS SHOWN

SHEET NUMBER:
1501

Order Plans @

WWW.LOOLINE.COM