



STARBUCKS COFFEE COMPANY
2401 UTAH AVENUE SOUTH
SEATTLE, WASHINGTON 98134
(206) 318-1575

THESE DRAWINGS AND SPECIFICATIONS ARE CONFIDENTIAL AND SHALL REMAIN THE SOLE PROPERTY OF STARBUCKS CORPORATION, WHICH IS THE OWNER OF THE COPYRIGHT IN THIS WORK. THEY SHALL NOT BE REPRODUCED IN WHOLE OR IN PART, SHARED WITH THIRD PARTIES OR USED IN ANY MANNER ON OTHER PROJECTS OR EXTENSIONS TO THIS PROJECT WITHOUT THE PRIOR WRITTEN CONSENT OF STARBUCKS CORPORATION. THESE DRAWINGS AND SPECIFICATIONS ARE INTENDED TO EXPRESS DESIGN INTENT FOR A PROTOTYPICAL STARBUCKS STORE (WHICH IS SUBJECT TO CHANGE AT ANY TIME) AND DO NOT REFLECT ACTUAL SITE CONDITIONS. NEITHER PARTY SHALL HAVE ANY OBLIGATION NOR LIABILITY TO THE OTHER EXCEPT AS STATED ABOVE UNTIL A WRITTEN AGREEMENT IS FULLY EXECUTED BY BOTH PARTIES.

STARBUCKS TEMPLATE VERSION | 2018.10.16

MM ARCHITECTS
ARCHITECTURE
PLANNING
INTERIORS
GRAPHICS
112 4TH AVENUE SOUTH
NASHVILLE, TN 37203
615.254.8175
615.254.8141
www.mm-arch.com



PROJECT NAME:
CUSICK & ALCOA

PROJECT ADDRESS:
121 CUSICK ROAD
ALCOA, TN 37701
BLOUNT COUNTY

STORE #: 11293
PROJECT #: 36099-035
ISSUE DATE: 04.26.19
DESIGN MANAGER: L. MACEDA
LEED AP: N/A
PRODUCTION DESIGNER: C. POBST
CHECKED BY: MJM

REVISION SCHEDULE			
REV	DATE	BY	DESCRIPTION

SHEET TITLE:
RESTROOM PLAN & ELEVATIONS
SCALE: AS SHOWN

SHEET NUMBER:

1401

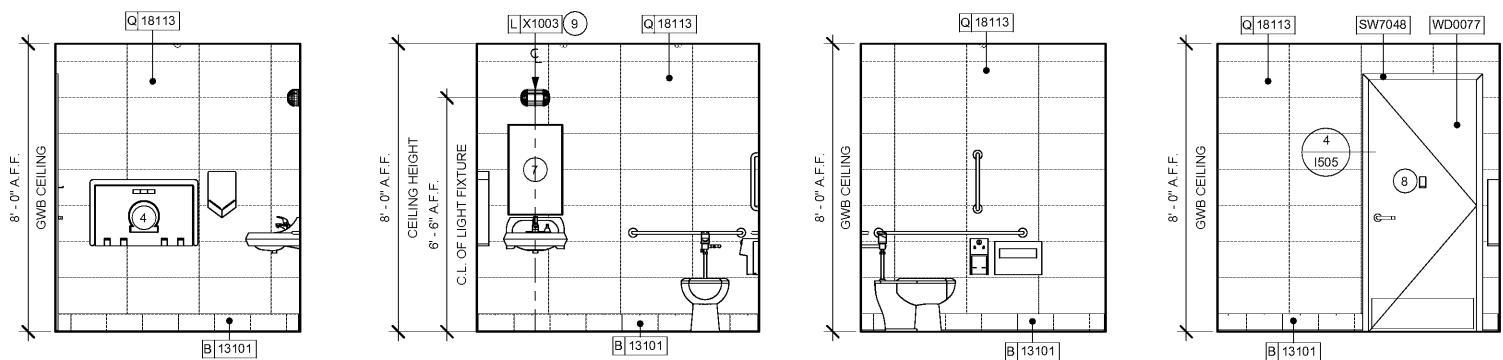
KEYED NOTES

- 60" (1525mm) ADA TURNING RADIUS.
- 30" (760mm) X 52" (1015MM) CLEAR FLOOR SPACE.
- WATER CLOSET CLEAR FLOOR SPACE.
- BABY CHANGING FIXTURE. GENERAL CONTRACTOR TO PROVIDE BLOCKING PER MANUFACTURER'S RECOMMENDATION.
- TILE START POINT WHERE INDICATED.
- WALL MOUNTED LAVATORY INSTALLED WITH INSULATED BOOT AT EXPOSED PIPES.
- CENTER MIRROR OVER LAVATORY. MOUNT AT 40" (1015MM) MAX. TO BOTTOM EDGE OF REFLECTIVE SURFACE.
- COAT HOOK. MOUNT AT CENTERLINE OF DOOR.
- CENTER SCONCE LIGHTING OVER MIRROR (SEE ELECTRICAL).

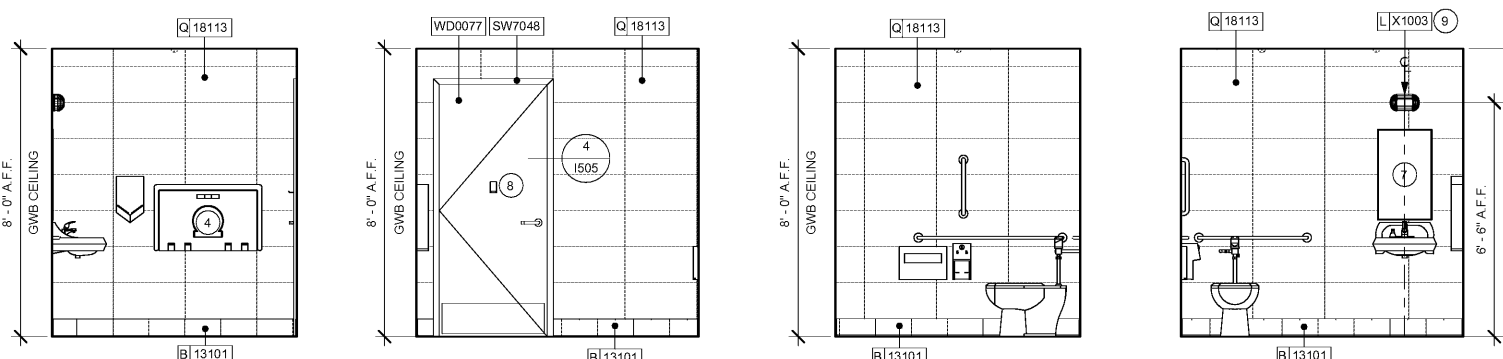
GENERAL NOTES

- GENERAL CONTRACTOR TO VERIFY ALL DIMENSIONS AND NOTIFY STARBUCKS CONSTRUCTION MANAGER OF ANY DISCREPANCIES PRIOR TO CONSTRUCTION.
- ALL DIMENSIONS ARE TO BE TAKEN FROM A DESIGNATED DATUM POINT.
- DIMENSIONS ARE TO FACE OF FINISHED SURFACE UNLESS OTHERWISE NOTED.
- DIAPER CHANGING STATION IS TO BE INSTALLED PER MANUFACTURER'S INSTRUCTIONS. UNIT IS TO BE FASTENED TO STRUCTURE AT ALL SIX CHASSIS ATTACHMENT POINTS.
- LOCATE DIAPER CHANGING STATION AS SHOWN TO ALLOW NECESSARY CLEARANCE FOR OPERATION OF ALL RESTROOM FIXTURES. LOCATION SHALL NOT INTERFERE ACCESS, EGRESS, OR DOOR SWING.
- ALL RESTROOM ACCESSORY MOUNTING HEIGHTS AND CLEARANCES SHALL COMPLY WITH THE ACCESSIBILITY REQUIREMENTS OF THE LOCAL JURISDICTION.

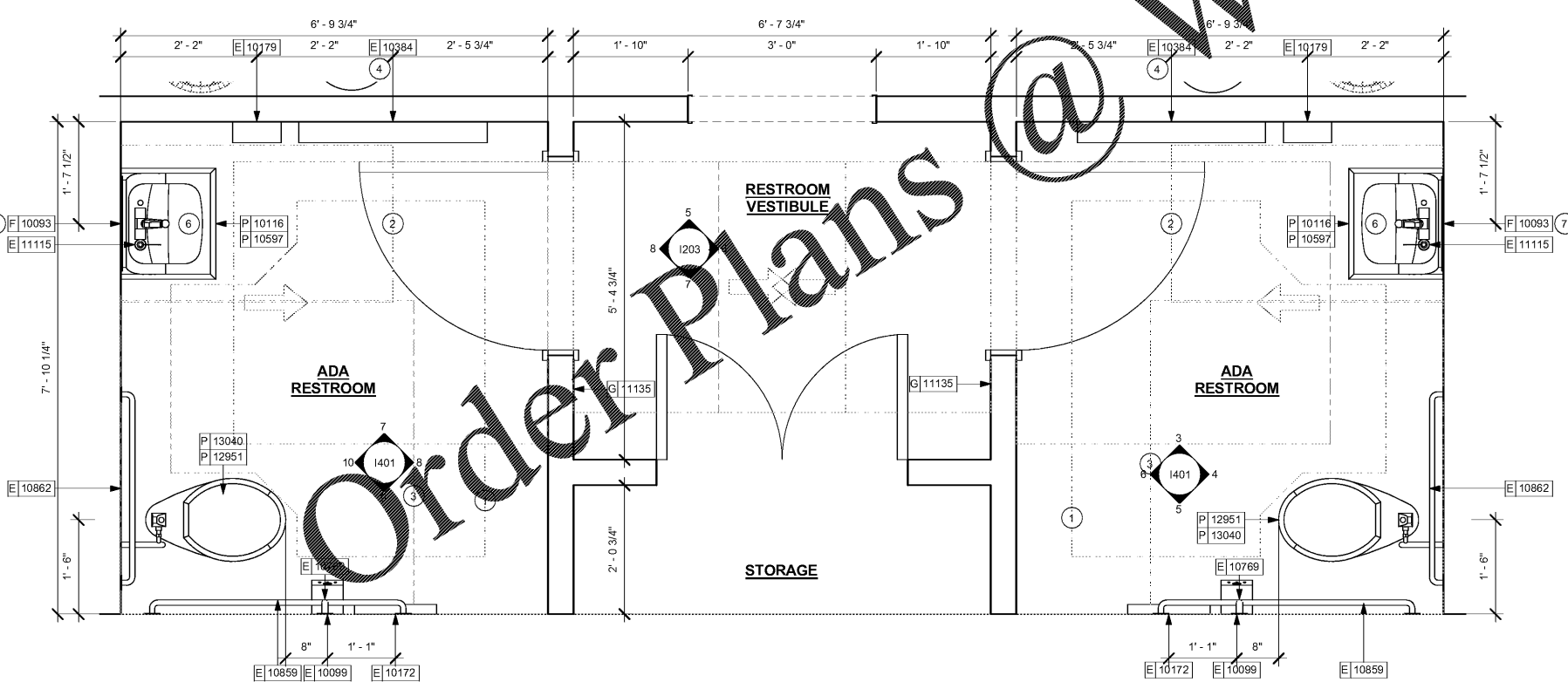
WWW.LDILine.com



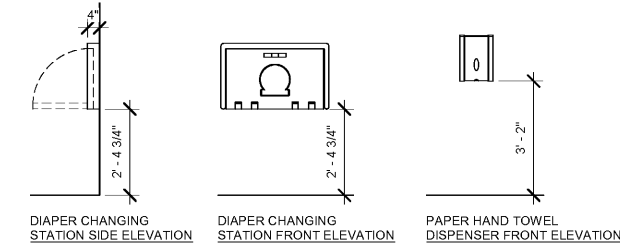
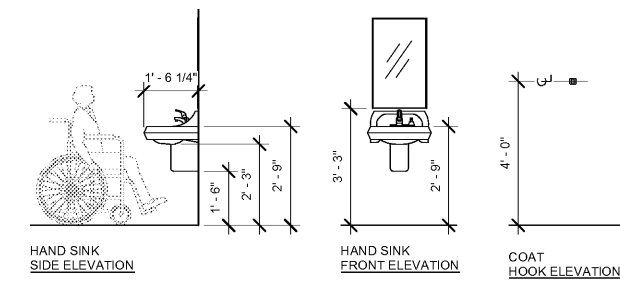
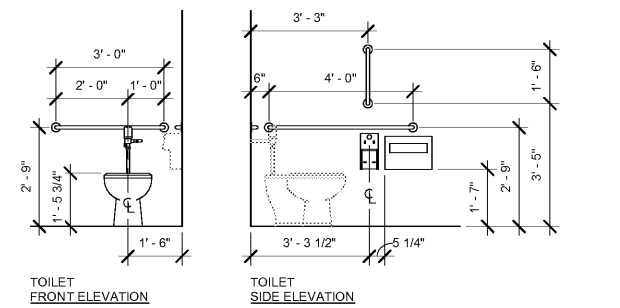
3 RESTROOM A - DRYER Scale: 3/8" = 1'-0"
4 RESTROOM A - SINK Scale: 3/8" = 1'-0"
5 RESTROOM A - TOILET Scale: 3/8" = 1'-0"
6 RESTROOM A - EXIT Scale: 3/8" = 1'-0"



7 RESTROOM B - DRYER Scale: 3/8" = 1'-0"
8 RESTROOM B - EXIT Scale: 3/8" = 1'-0"
9 RESTROOM B - TOILET Scale: 3/8" = 1'-0"
10 RESTROOM B - SINK Scale: 3/8" = 1'-0"



2 ENLARGED RESTROOM PLAN Scale: 3/4" = 1'-0"



1 MOUNTING HEIGHTS FOR RESTROOM ACCESSORIES Scale: 3/8" = 1'-0"

2/25/2019 2:42:33 PM Z:\proj\client\1889- Starbucks Coffee Company\Alcoa_TN-Reno-Cusick & Alcoa\Drawings\11293_TN_Cusick & Alcoa_Revit Model.rvt