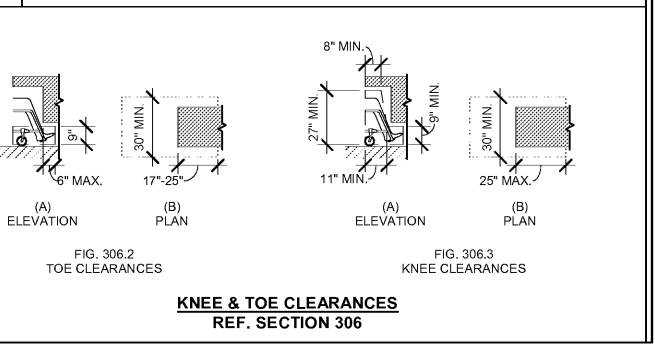
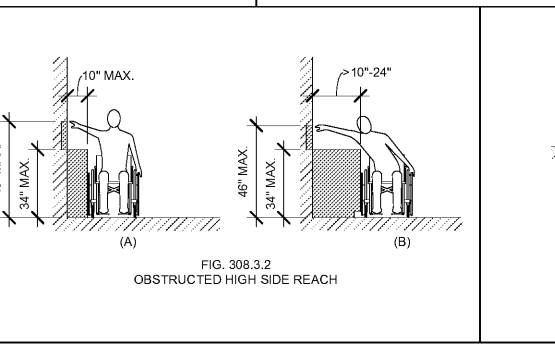
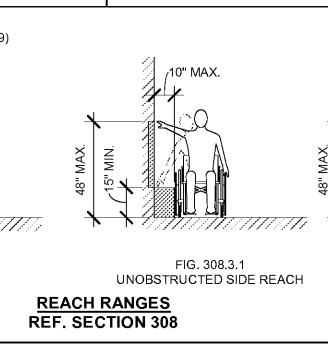
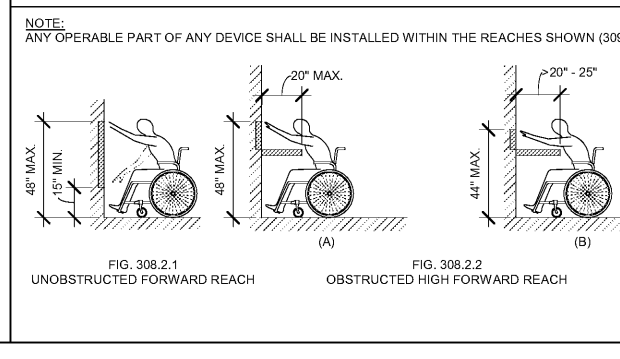
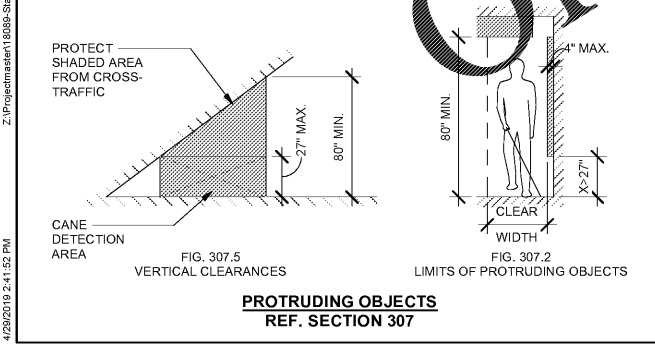
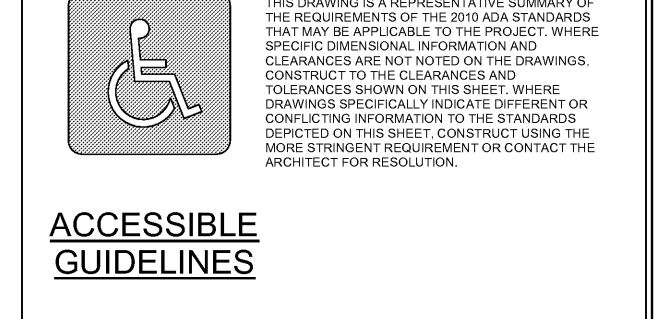
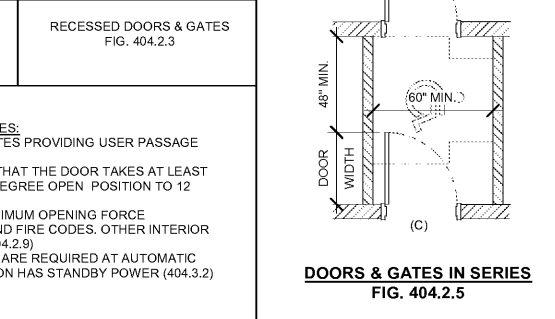
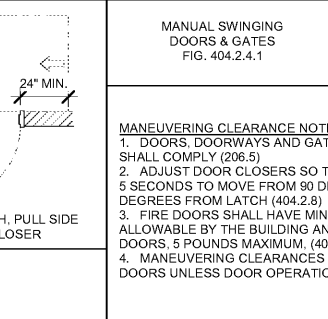
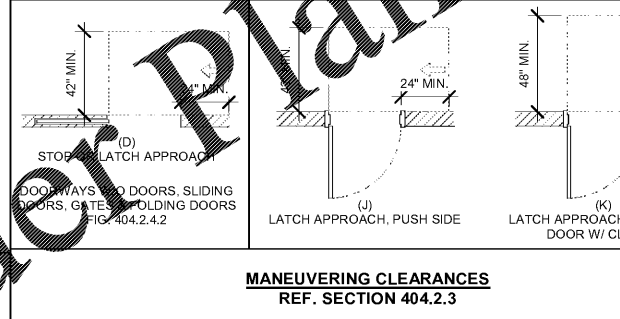
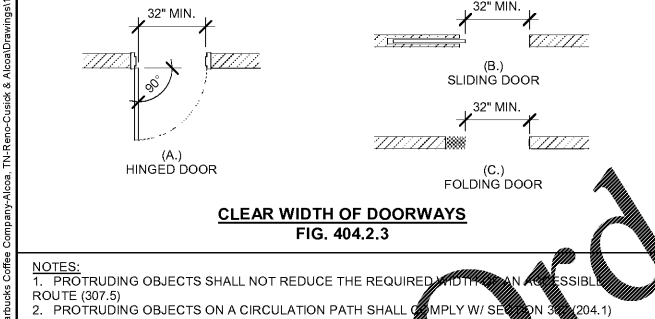
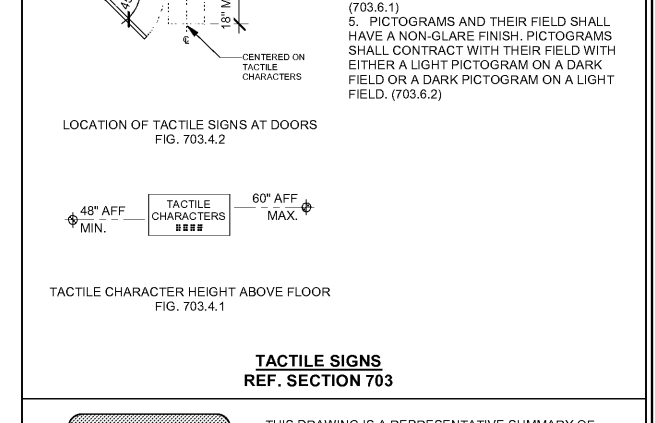
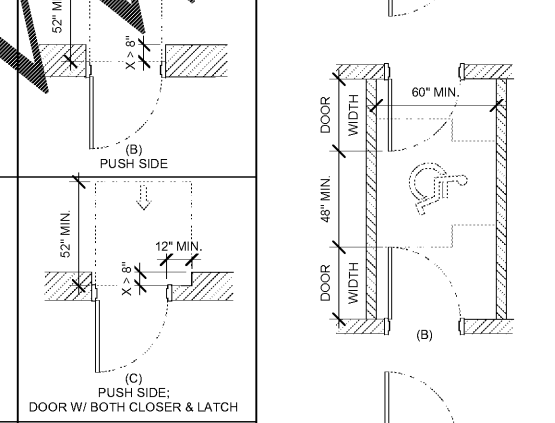
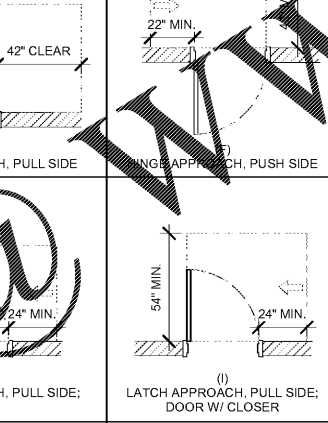
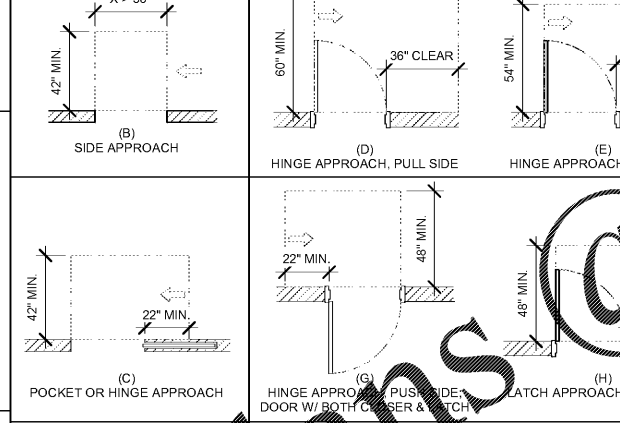
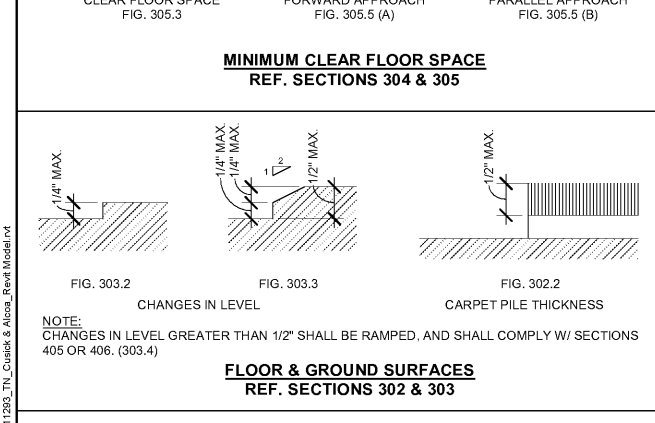
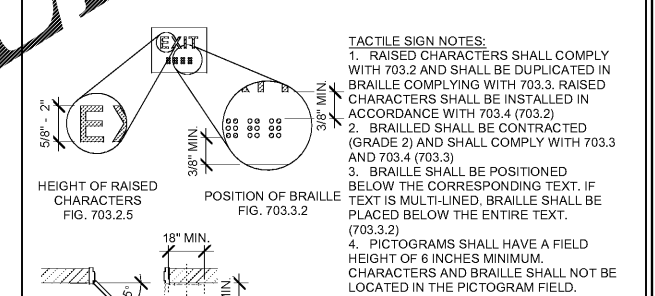
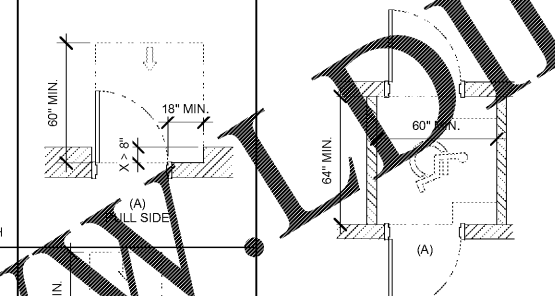
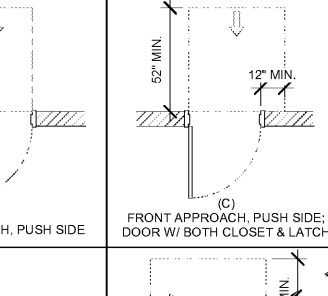
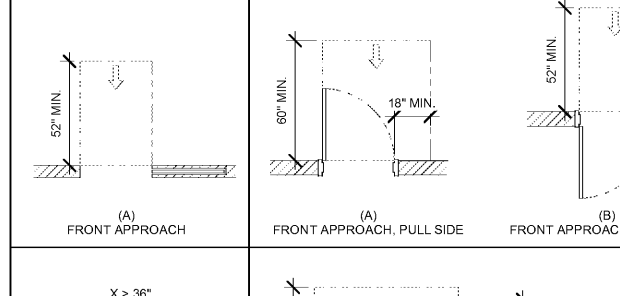
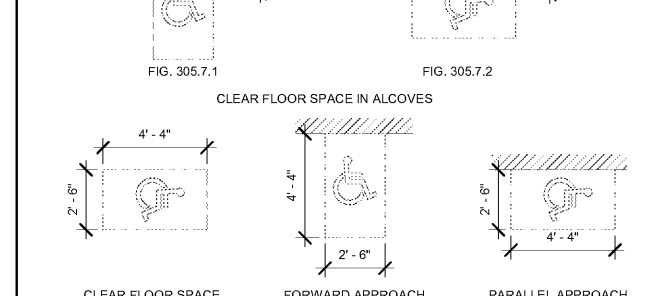


STARBUCKS COFFEE COMPANY
2401 UTAH AVENUE SOUTH
SEATTLE, WASHINGTON 98134
(206) 318-1575

STARBUCKS TEMPLATE VERSION (2018.10.16)

ARCHITECTURE
PLANNING
INTERIORS
GRAPHICS

MM ARCHITECTS
112 4TH AVENUE SOUTH
NASHVILLE, TN 37203
(615) 254-8175
(615) 244-8174
www.mmarchitects.com



PROJECT NAME:
CUSICK & ALCOA

PROJECT ADDRESS:
121 CUSICK ROAD
ALCOA, TN 37701

BLOUNT COUNTY

STORE #: 11293

PROJECT #: 36099-035

ISSUE DATE: 04.26.19

DESIGN MANAGER: L. MACEDA

LEED AP: N/A

PRODUCTION DESIGNER: C. POBST

CHECKED BY: M.M.

REVISION SCHEDULE

REV	DATE	BY	DESCRIPTION

SHEET TITLE:
ADA DETAILS

SCALE: AS SHOWN

SHEET NUMBER:
G003

2:10pm 2/19/2019 2:41:52 PM Z:\proj\client\1089-Starbucks-Coffee-Company\Alcoa-TN-Reno-Cusick & Alcoa\Drawings\111595_TN_Cusick & Alcoa_Revit\Model.rvt