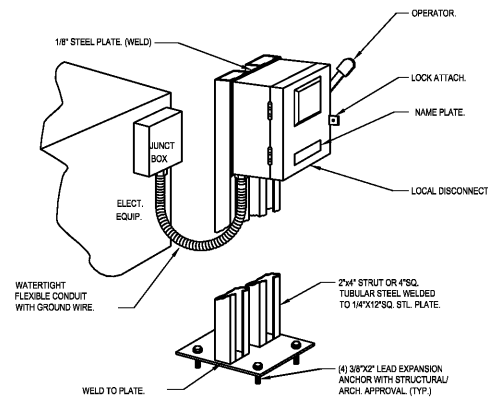
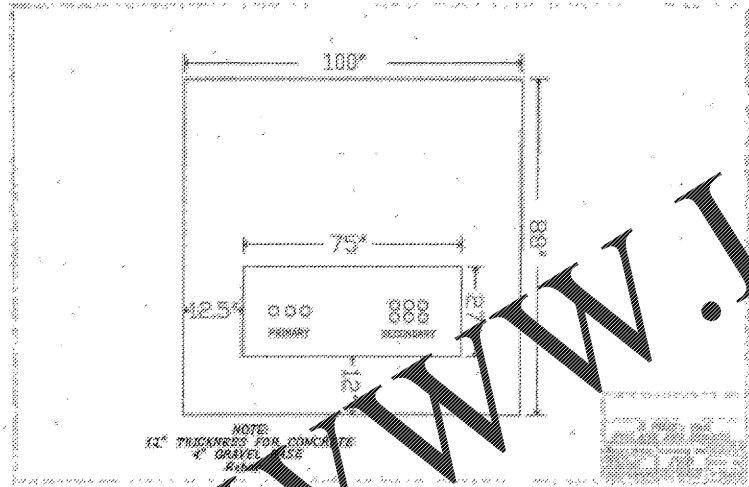


ALL BUILDING FLOOD LIGHTING BRANCH CIRCUIT WIRING SHALL BE #8 AWG. WITH #10 GROUND IN 1" MINIMUM PVC CONDUIT.

1 GROUND SPOT LIGHT DETAIL
ES102 SCALE: NONE

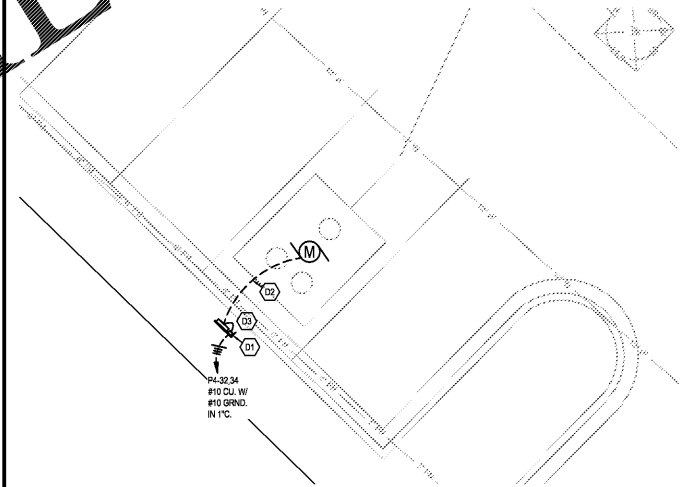


5 FREE STANDING DISCONNECT SWITCH
ES102 SCALE: NONE

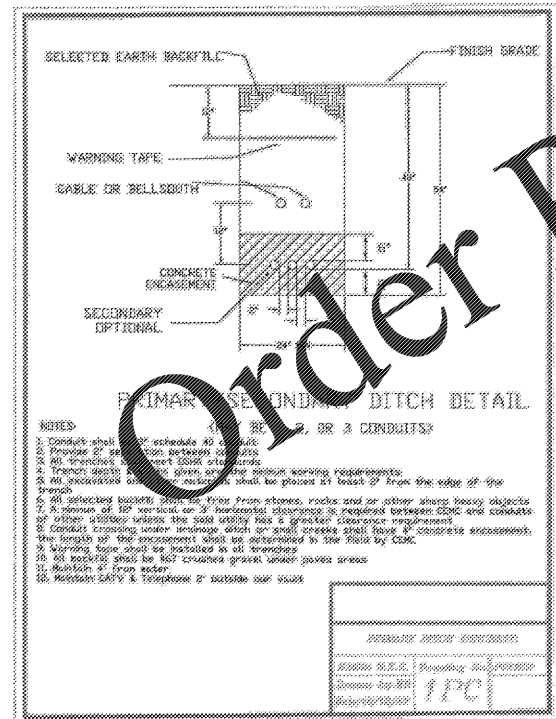


2 TRANSFORMER PAD
ES102 SCALE: NONE

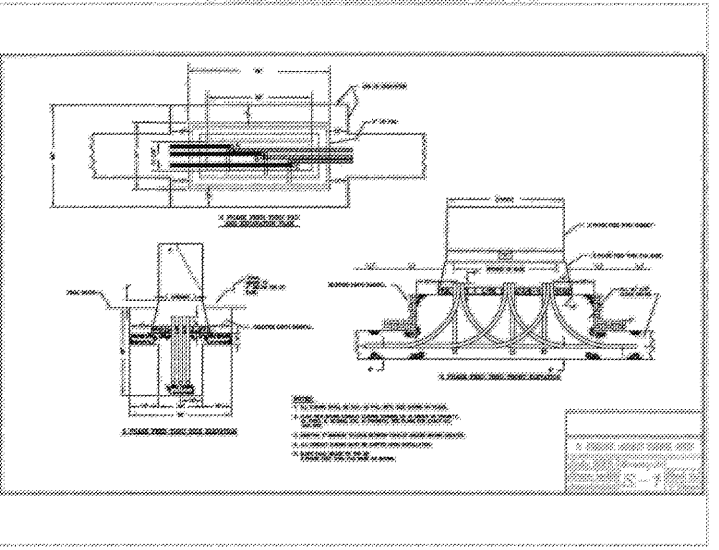
- ELECTRICAL KEYED NOTES**
- (01) LIFT STATION PUMP DISCONNECT. 30 AMP 120V 1PH 3W 30 AMP STAINLESS STEEL DISCONNECT FUSED AT 15A. PROVIDE WIRING CONNECTION TO PUMP CONTROL PANEL.
 - (02) UNDERGROUND BRANCH FEED TO SECONDARY PUMP. ELECTRICAL CONTRACTOR TO PROVIDE UNDERGROUND BRANCH FEED TO SECONDARY PUMP. PUMP INSTALLER TO EXTEND FEED TO PUMP CONTROL PANEL. PROVIDE WIRING CONNECTIONS PER MANUFACTURER SPECIFICATIONS.
 - (03) CONDUCTOR TO PUMP AND CONNECT PUMP CONTROL PANELS. RUN 2\"/>



3 LIFT STATION DETAIL
ES102 SCALE: NONE



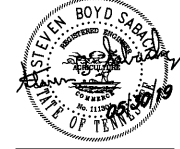
- NOTES:**
1. Conduit shall be schedule 40.
 2. Provide 2\"/>



- NOTES:**
1. Provide 12\"/>

Order Plans @ www.LDILiving.com

HAMPTON INN
NEW HOTEL
ASHLAND CITY, TENNESSEE
WWW.DAVIDRCARTER.NET
DAVID R. CARTER AND ASSOCIATES



ISSUE DATE 05-30-19
REVISION LOG

PROJECT 00755

ELECTRICAL SITE DETAILS ES102