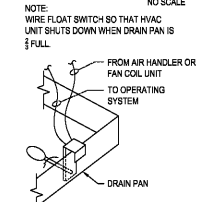
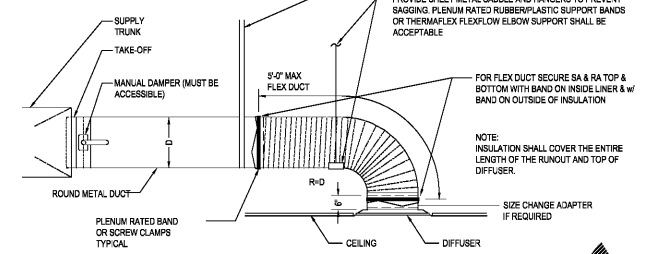


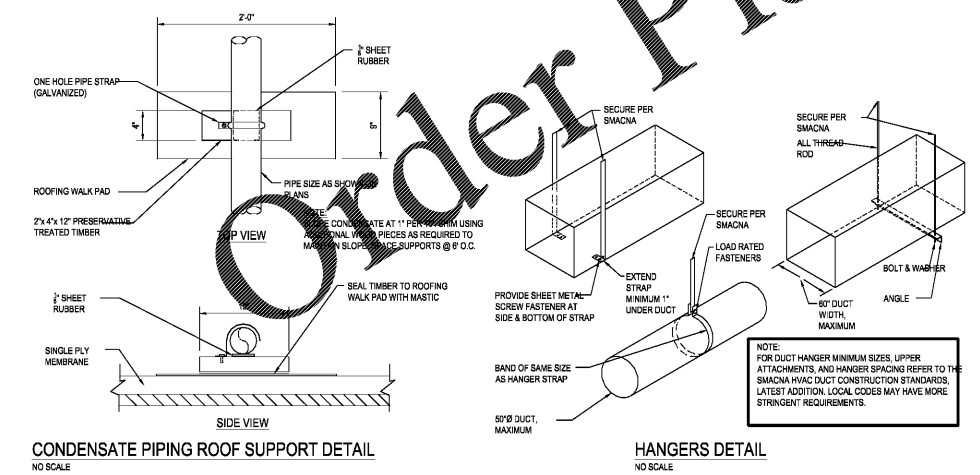
POOL UNIT CONNECTION DETAIL
NO SCALE



AIR HANDLER & FAN COIL DRAIN PAN FLOAT SWITCH DETAIL
NO SCALE

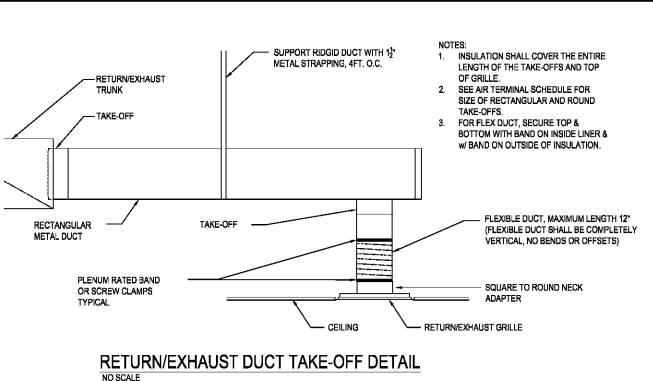


SUPPLY DUCT TAKE-OFF DETAIL
NO SCALE

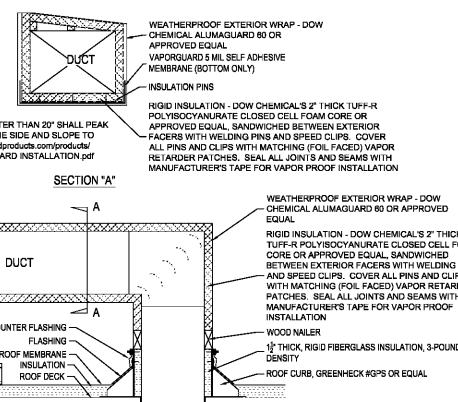


CONDENSATE PIPING ROOF SUPPORT DETAIL
NO SCALE

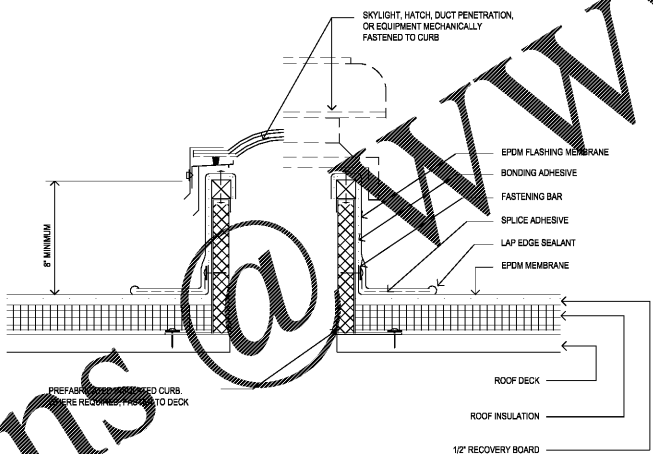
HANGERS DETAIL
NO SCALE



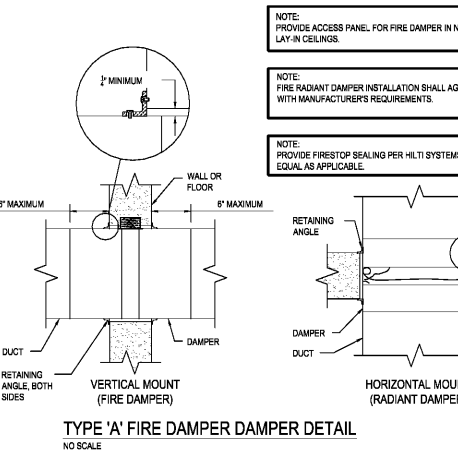
RETURN/EXHAUST DUCT TAKE-OFF DETAIL
NO SCALE



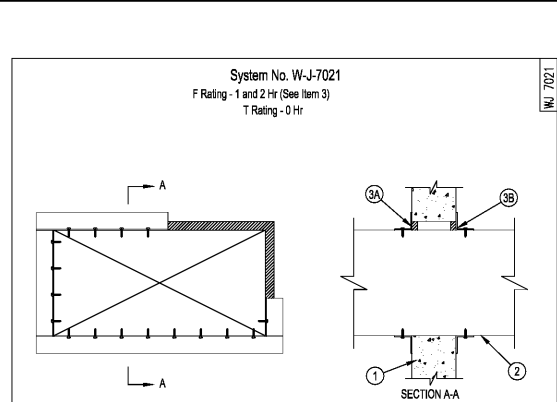
DUCT ROOF PENETRATION DETAIL
NO SCALE



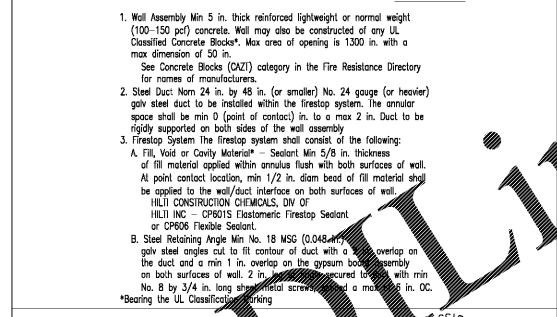
CURB FLASHING DETAIL
NO SCALE



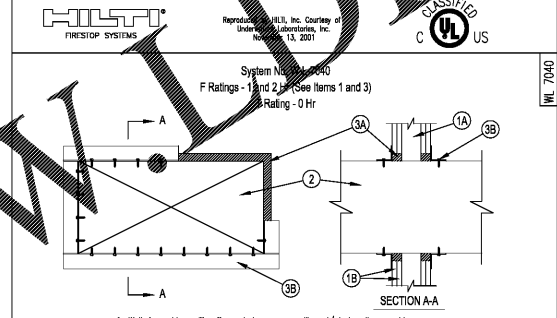
TYPE 'A' FIRE DAMPER DAMPER DETAIL
NO SCALE



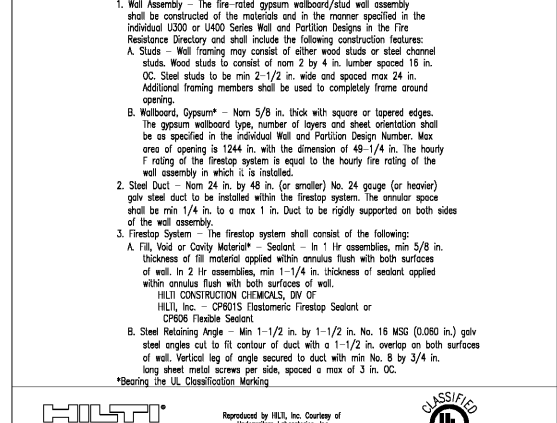
System No. W-J-7021
F Rating - 1 and 2 Hr (See Item 3)
T Rating - 0 Hr



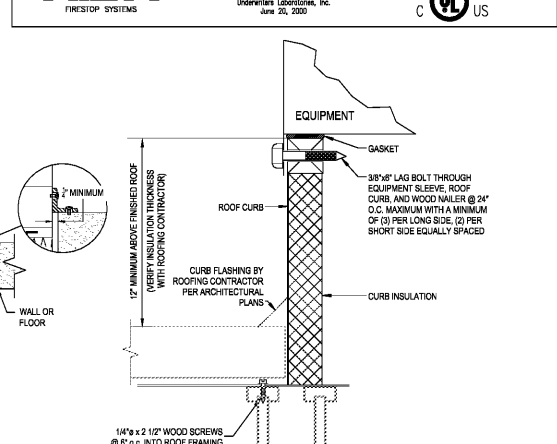
System No. W-L-7042
F Rating - 1 and 2 Hr (See Items 1 and 3)
T Rating - 0 Hr



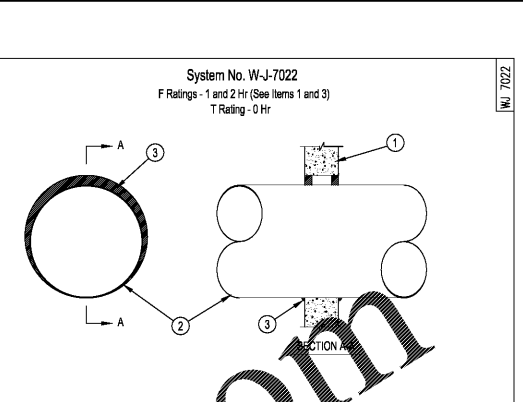
System No. W-L-7042
F Rating - 1 and 2 Hr (See Items 1 and 3)
T Rating - 0 Hr



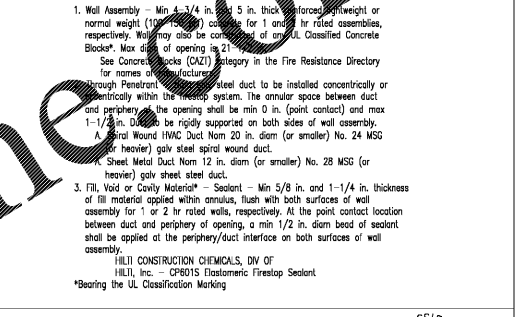
System No. W-L-7042
F Rating - 1 and 2 Hr (See Items 1 and 3)
T Rating - 0 Hr



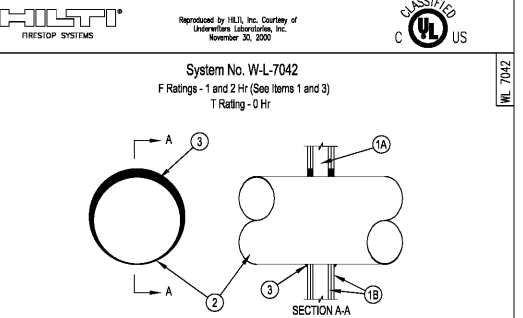
ROOF EQUIPMENT SECUREMENT DETAIL
NO SCALE



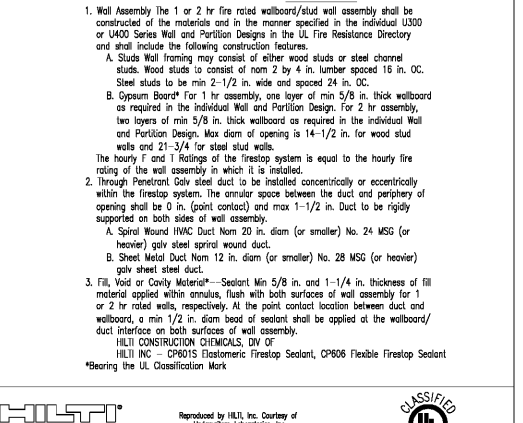
System No. W-J-7022
F Ratings - 1 and 2 Hr (See Items 1 and 3)
T Rating - 0 Hr



System No. W-L-7042
F Rating - 1 and 2 Hr (See Items 1 and 3)
T Rating - 0 Hr



System No. W-L-7042
F Rating - 1 and 2 Hr (See Items 1 and 3)
T Rating - 0 Hr



COIL CONDENSATE DRAIN PIPING DETAIL
NO SCALE

MECHANICAL DETAILS M302

1 HOUR FIRE RATED PARTITION
2 HOUR FIRE RATED PARTITION

March Adams & Associates
1000 Dobbins Ave.
Chattanooga, Tennessee 37408
Tel: 423-698-6673
Fax: 423-698-6673

HAMPTON INN
NEW HOTEL
ASHLAND CITY, TENNESSEE

WWW.DAVIDRCARTER.NET
DAVID R. CARTER AND ASSOCIATES



ISSUE DATE: 05-30-19
REVISION LOG

PROJECT 00755