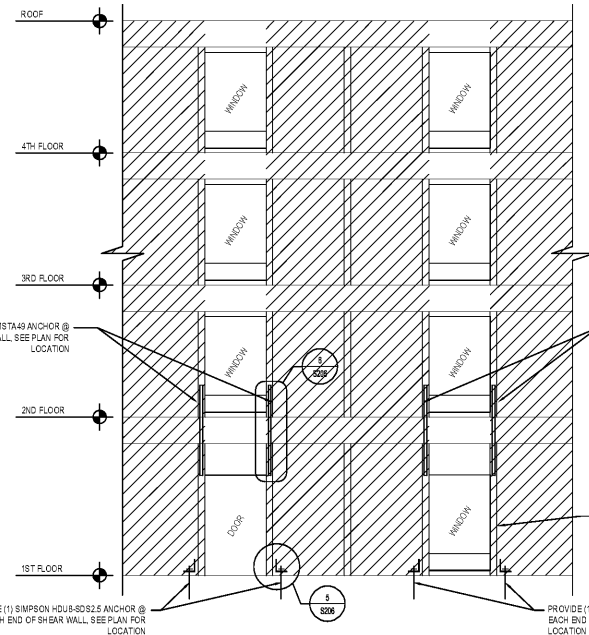
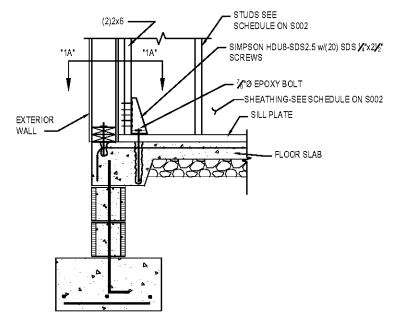


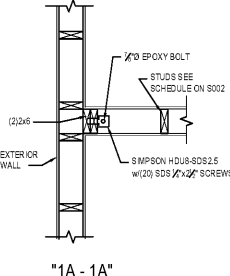
TYPICAL INTERIOR SHEAR WALL ELEVATION
 SCALE: N.T.S.



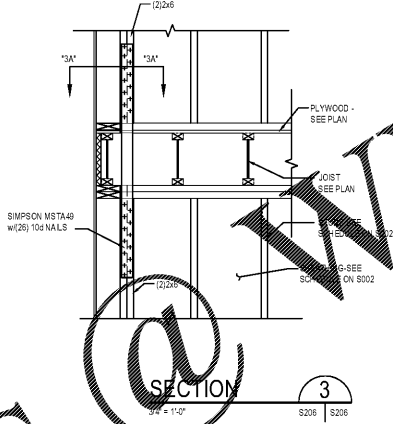
TYPICAL EXTERIOR SHEAR WALL ELEVATION
 SCALE: N.T.S.



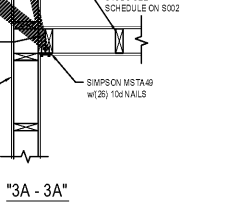
SECTION 1
 3/4" = 1'-0"
 S206 S206



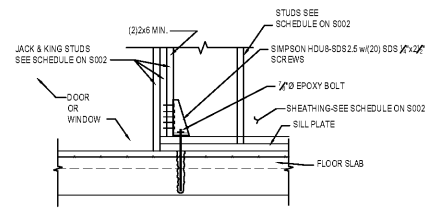
"1A - 1A"



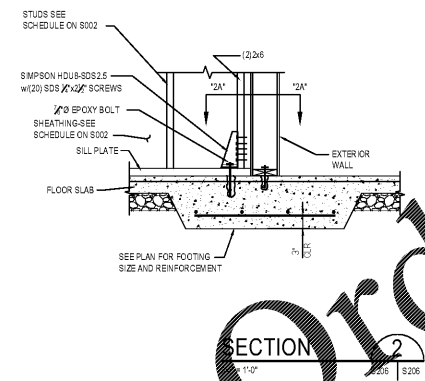
SECTION 3
 3/4" = 1'-0"
 S206 S206



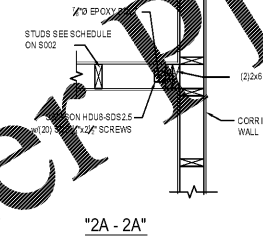
"3A - 3A"



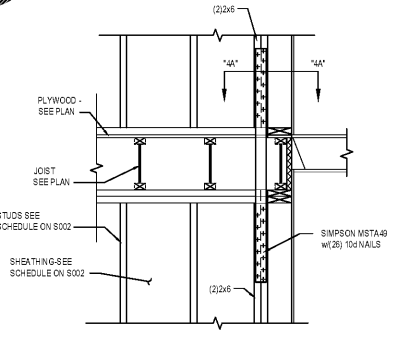
SECTION 5
 3/4" = 1'-0"
 S206 S206



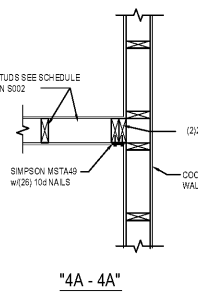
SECTION 2
 1/2" = 1'-0"
 S206 S206



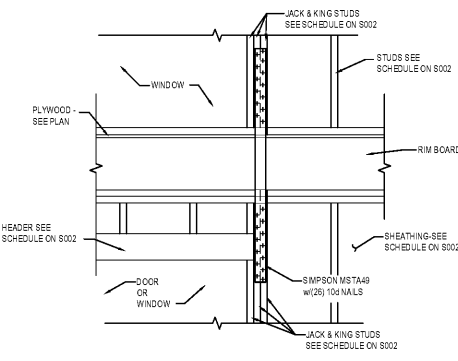
"2A - 2A"



SECTION 4
 3/4" = 1'-0"
 S206 S206



"4A - 4A"



SECTION 6
 3/4" = 1'-0"
 S206 S206

Order Plans

www.LDILine.com

HAMPTON INN
 NEW HOTEL
 ASHLAND CITY, TENNESSEE
 WWW.DAVIDRCARTER.NET
 DAVID R. CARTER AND ASSOCIATES



ISSUE DATE 05-30-19
 REVISION LOG

PROJECT 00755

SHEAR WALLS S206