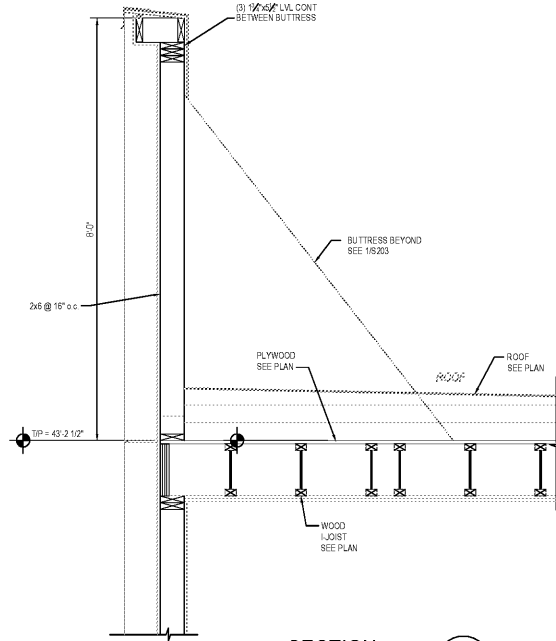
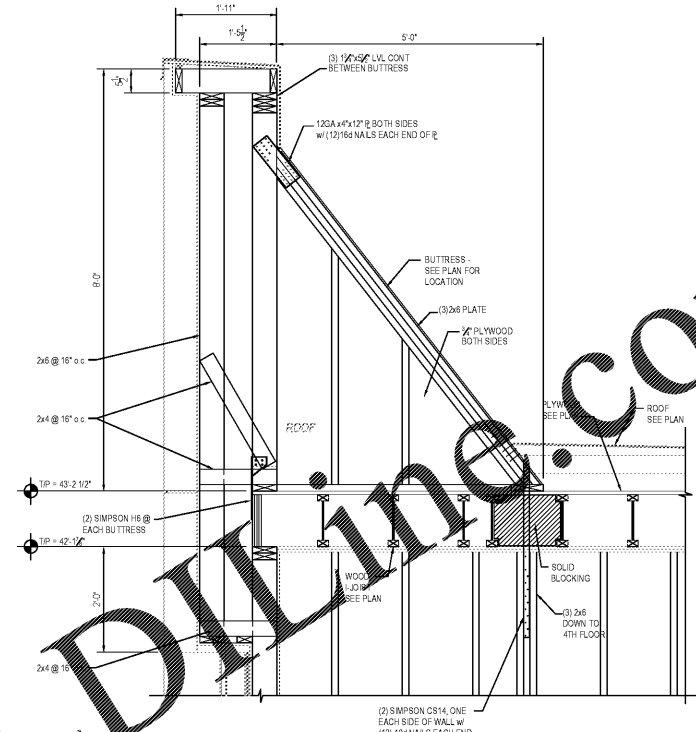


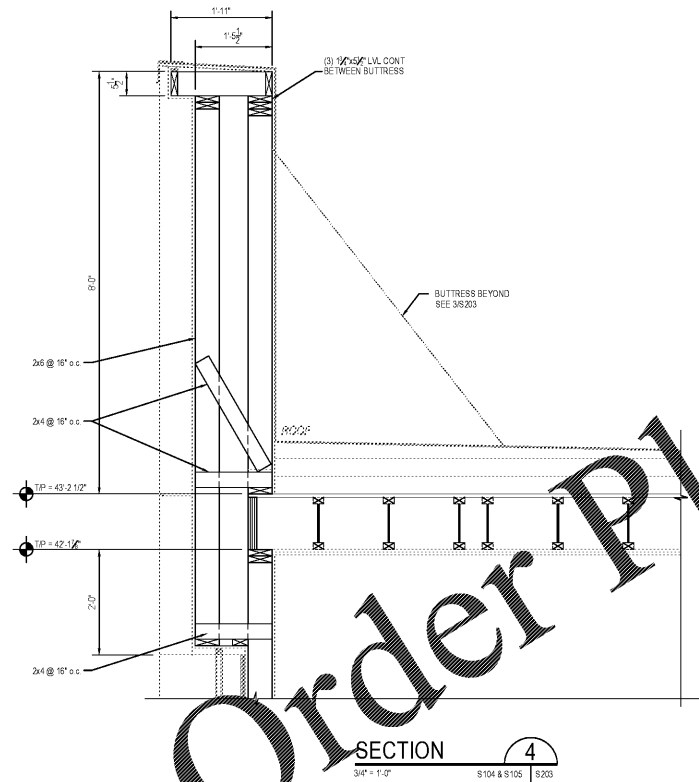
SECTION 1
 3/4" = 1'-0" S104 & S105 S203



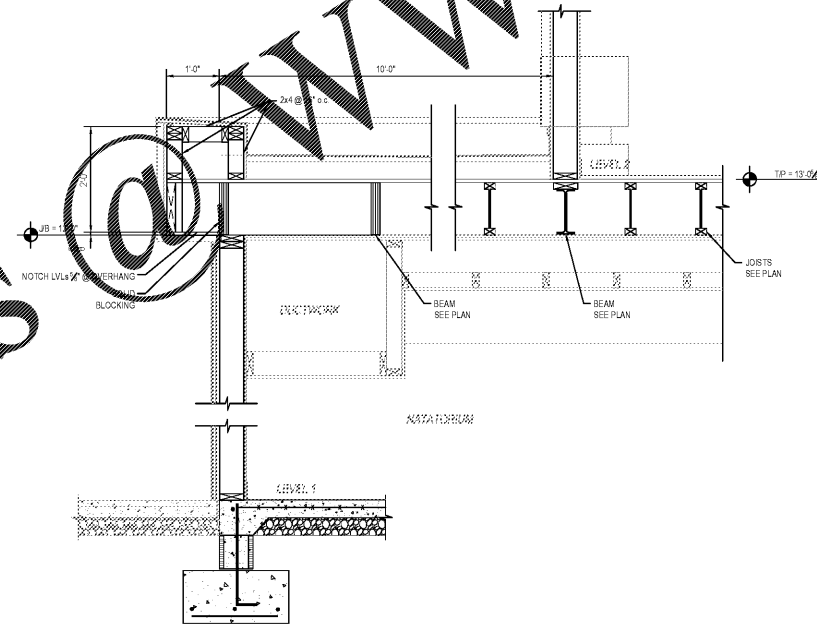
SECTION 2
 3/4" = 1'-0" S104 & S105 S203



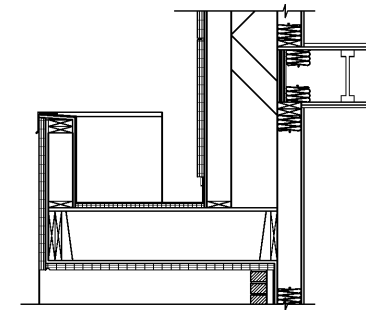
SECTION 3
 3/4" = 1'-0" S104 & S105 S203



SECTION 4
 3/4" = 1'-0" S104 & S105 S203



SECTION 5
 3/4" = 1'-0" S102 S203



SECTION 6
 3/4" = 1'-0" S102 S203

Order Plans @ WWW.LDILING.COM

HAMPTON INN
 NEW HOTEL
 ASHLAND CITY, TENNESSEE
 WWW.DAVIDRCARTER.NET
 DAVID R. CARTER AND ASSOCIATES



ISSUE DATE 05-30-19
 REVISION LOG

PROJECT 00755

FRAMING SECTIONS S203