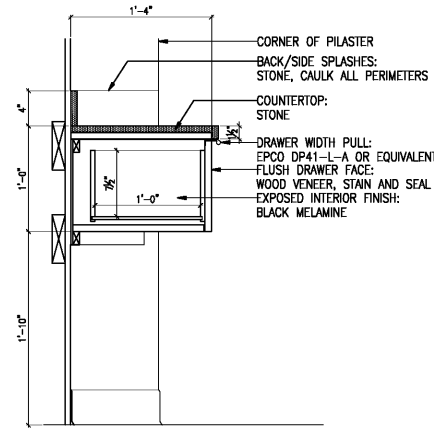
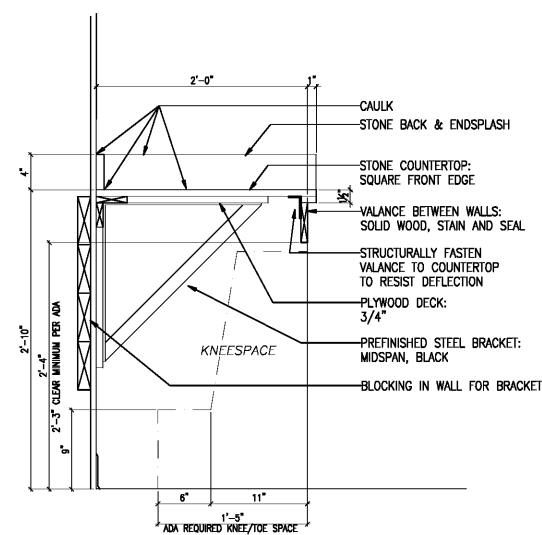


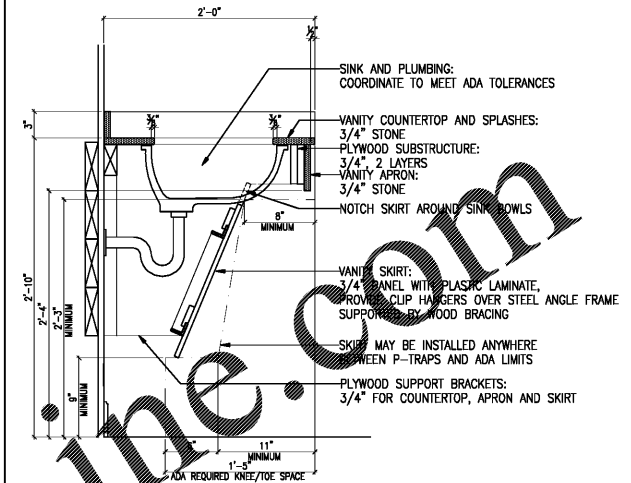
01 MEETING ROOM &



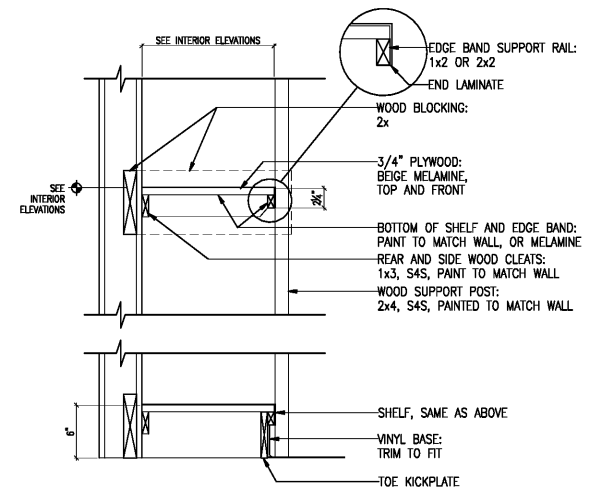
02 MEETING ROOM &



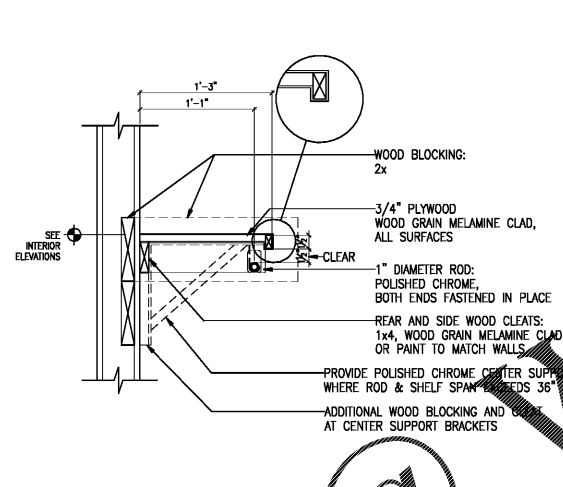
03 GUEST LAUNDRY &



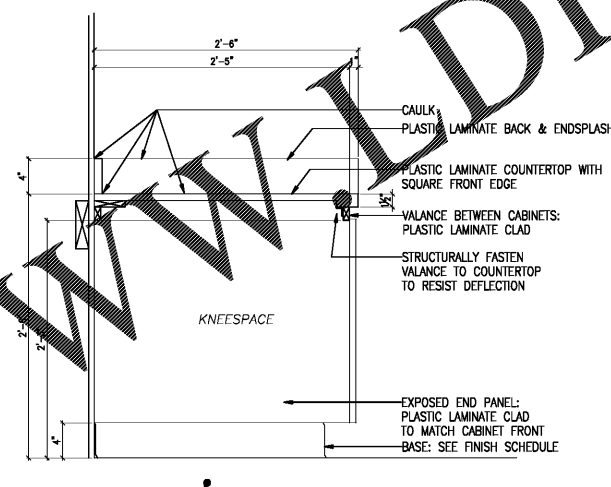
04 VANITY SKIRT &



05 LAMINATED WOOD STORAGE SHELF

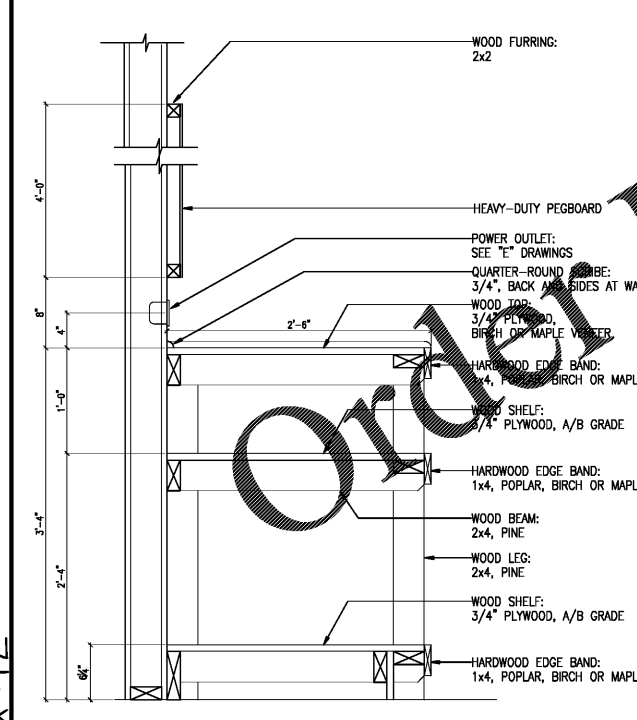


06 LAMINATED WOOD SHELF AND ROD

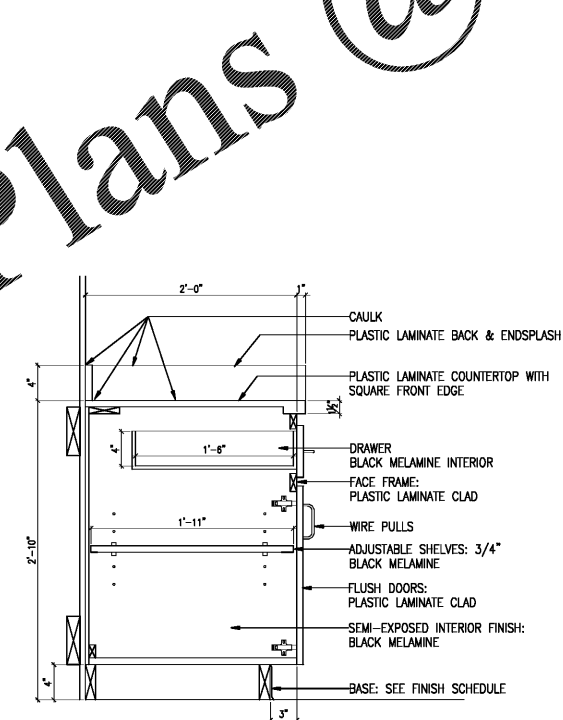


07 WORK ROOM &

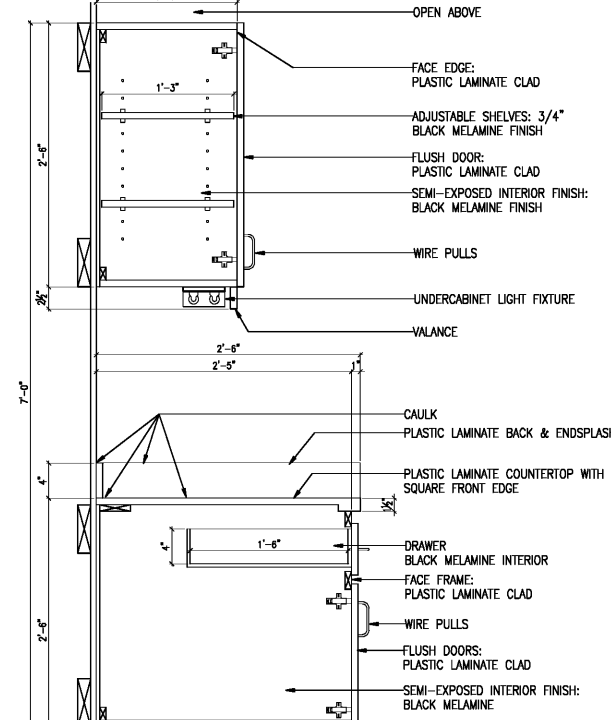
08 NOT USED



09 MAINTENANCE



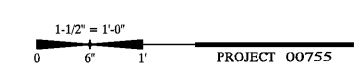
10 BREAK ROOM &



11 WORK ROOM &

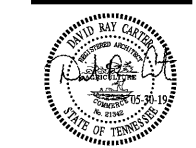
**SHEET NOTES**  
 1. SEE CABINETWORK NOTES, SHEET A902.  
 2. ALL WOOD IN CONTACT WITH FLOOR SHALL BE PRESERVATIVE TREATED.  
 3. PANEL TYPE SHALL BE INDUSTRIAL PARTICLEBOARD CORE OR MDF WITH FACE VENEER.

ISSUE DATE: 05-30-19  
 REVISION LOG



MILLWORK SECTIONS A903

HAMPTON INN  
 NEW HOTEL  
 ASHLAND CITY, TENNESSEE  
 WWW.DAVIDRCARTER.NET  
 DAVID R. CARTER AND ASSOCIATES



30 x 42