

ROOM FINISH SCHEDULE

ROOMS	FLOOR	BASE	WALLS	CEILING	TRIM	REMARKS
GUEST UNITS	TYPICAL BED/LIVING AREAS	CARPET TILE	RUBBER	PAINT-TEXTURED	PAINT-TEXTURED	HEADBOARD WALL ACCENT COLOR
TYPICAL ENTRY FOYER	PORCELAIN TILE	PORCELAIN TILE	PORCELAIN TILE	PAINT-TEXTURED	PAINT-SMOOTH	NONE
TYPICAL CLOSETS	PORCELAIN TILE	PORCELAIN TILE	PORCELAIN TILE	PAINT-SMOOTH	PAINT-SMOOTH	NONE
TYPICAL BATHROOMS	PORCELAIN TILE	PORCELAIN TILE	PORCELAIN TILE	VWC	PAINT-SMOOTH	NONE
TYPICAL TUB/SHOWER SURROUNDS	---	---	---	CULTURED MARBLE	PAINT-SMOOTH	NONE
TYPICAL ROLL-IN SHOWERS	PORCELAIN TILE	---	---	CULTURED MARBLE	PAINT-SMOOTH	NONE
TYPICAL WINDOW STOOLS	---	---	---	---	---	QUARTZ
LEVEL 1	1001 MECHANICAL	STAINED/SEALED CONCRETE	VINYL	PAINT-SMOOTH	PAINT-SMOOTH	NONE
1002 MEETING A	CARPET/PAD	WOOD BASE 4A	VWC	AC-1/PAINT-SMOOTH	AC-2	NONE
1003 MEETING B	CARPET/PAD	WOOD BASE 4A	VWC	AC-1/PAINT-SMOOTH	AC-1/PAINT-SMOOTH	NONE
1004 MEETING STORAGE	VINYL COMPOSITION TILE	VINYL	FRP	PAINT-SMOOTH	FRP	NONE
1005 WOMEN- PUBLIC	PORCELAIN TILE	PORCELAIN TILE	VWC/PORCELAIN TILE	PAINT-SMOOTH	PAINT-SMOOTH	NONE
1006 MEN- PUBLIC	PORCELAIN TILE	PORCELAIN TILE	VWC/PORCELAIN TILE	PAINT-SMOOTH	PAINT-SMOOTH	NONE
1007 LINEN CHUTE DISCHARGE	VINYL COMPOSITION TILE	VINYL	PAINT-SMOOTH	PAINT-SMOOTH	PAINT-SMOOTH	NONE
1008 LAUNDRY	VINYL COMPOSITION TILE	VINYL	FRP	AC-2	NONE	STAIN/SEALED CONCRETE WASHER SLAB
1009 LAUNDRY STORAGE	VINYL COMPOSITION TILE	VINYL	PAINT-SMOOTH	PAINT-SMOOTH	PAINT-SMOOTH	NONE
1010 DRYER	STAINED/SEALED CONCRETE	VINYL	PAINT-SMOOTH	PAINT-SMOOTH	PAINT-SMOOTH	NONE
1011 BREAK	VINYL COMPOSITION TILE	VINYL	PAINT-SMOOTH	AC-1	AC-1	NONE
1012 UNISEX- EMPLOYEE	PORCELAIN TILE	PORCELAIN TILE	PORCELAIN TILE/PAINT-SMOOTH	AC-1	AC-1	NONE
1013 MECHANICAL	VINYL COMPOSITION TILE	VINYL	PAINT-SMOOTH	PAINT-SMOOTH	PAINT-SMOOTH	NONE
1014 ELECTRICAL	STAINED/SEALED CONCRETE	VINYL	PAINT-SMOOTH	PAINT-SMOOTH	PAINT-SMOOTH	NONE
1015 STORAGE	VINYL COMPOSITION TILE	VINYL	PAINT-SMOOTH	PAINT-SMOOTH	PAINT-SMOOTH	NONE
1016 FITNESS	VINYL & SPORT	REVEALED RUBBER	VWC	AC-1/PAINT-SMOOTH	AC-1	NONE
1017 GUEST LAUNDRY	PORCELAIN TILE	PORCELAIN TILE	VWC	AC-1	AC-1	NONE
1018 MAINTENANCE	VINYL COMPOSITION TILE	VINYL	PAINT-SMOOTH	PAINT-SMOOTH	PAINT-SMOOTH	NONE
1019 FIRE RISER	STAINED/SEALED CONCRETE	VINYL	PAINT-SMOOTH	PAINT-SMOOTH	PAINT-SMOOTH	NONE
1020 FOOD PREP KITCHEN	QUARRY TILE	QUARRY TILE	FRP	AC-2	AC-2	NONE
1021 PANTRY	PORCELAIN TILE	PORCELAIN TILE	VWC	PAINT-SMOOTH	PAINT-SMOOTH	NONE
1022 BREAKFAST	CARPET/PAD&PORCELAIN TILE	WOOD BASE 4A	VWC	AC-1/PAINT-SMOOTH	AC-1/PAINT-SMOOTH	NONE
1023 LOBBY	CARPET/PAD&PORCELAIN TILE	WOOD BASE 4A	VWC	AC-1/PAINT-SMOOTH	AC-1/PAINT-SMOOTH	NONE
1024 TREATS SHOPPE	PORCELAIN TILE	WOOD BASE 4A	VWC	PAINT-SMOOTH	PAINT-SMOOTH	NONE
1025 REGISTRATION	PORCELAIN TILE	WOOD BASE 4A	VWC	PAINT-SMOOTH	PAINT-SMOOTH	NONE
1026 WORK A	CARPET/GLUE DOWN	VINYL	VWC	AC-1	AC-1	NONE
1027 COMMUNICATIONS	VINYL COMPOSITION TILE	VINYL	PAINT-SMOOTH	PAINT-SMOOTH	PAINT-SMOOTH	NONE
1028 STORAGE	VINYL COMPOSITION TILE	VINYL	PAINT-SMOOTH	PAINT-SMOOTH	PAINT-SMOOTH	NONE
1029 GENERAL MANAGER	CARPET/GLUE DOWN	VINYL	VWC	AC-1	AC-1	NONE
1030 MECHANICAL	VINYL COMPOSITION TILE	VINYL	PAINT-SMOOTH	PAINT-SMOOTH	PAINT-SMOOTH	NONE
1031 WORK B	CARPET/GLUE DOWN	VINYL	VWC	AC-1	AC-1	NONE
1032 SALES	CARPET/GLUE DOWN	VINYL	VWC	AC-1	AC-1	NONE
1033 UNISEX- NATATORIUM	PORCELAIN TILE	PORCELAIN TILE	PORCELAIN TILE/EPOXY PAINT	PAINT-SMOOTH	PAINT-SMOOTH	NONE
1034 NATATORIUM MECHANICAL	STAINED/SEALED CONCRETE	VINYL	EPOXY PAINT-SMOOTH*	EPOXY PAINT-SMOOTH	EPOXY PAINT-SMOOTH	NONE
1035 NATATORIUM	CEMENTITIOUS ACRYLIC	PORCELAIN TILE	EPOXY PAINT-SMOOTH*	EPOXY PAINT-SMOOTH	EPOXY PAINT-SMOOTH	NONE
LEVELS 2-4	2001-4001 STORAGE	VINYL COMPOSITION TILE	VINYL	PAINT-SMOOTH	PAINT-SMOOTH	NONE
2002-4002 ICE	PORCELAIN TILE	PORCELAIN TILE	VWC	AC-1	AC-1	NONE
2003-4003 CHUTE	VINYL COMPOSITION TILE	VINYL	PAINT-SMOOTH	PAINT-SMOOTH	PAINT-SMOOTH	NONE
2004-4004 COMMUNICATION	VINYL COMPOSITION TILE	VINYL	PAINT-SMOOTH	PAINT-SMOOTH	PAINT-SMOOTH	NONE
2005-4005 MUD	VINYL COMPOSITION TILE	VINYL	PAINT-SMOOTH	PAINT-SMOOTH	PAINT-SMOOTH	NONE
CORRIDORS & STAIRWELLS	C11 ELEVATOR LOBBY	PORCELAIN TILE	WOOD BASE 4B	VWC	AC-1/PAINT-SMOOTH	NONE
C12 CORRIDOR 1	PORCELAIN TILE	WOOD BASE 4B	VWC	AC-1/PAINT-SMOOTH	AC-1/PAINT-SMOOTH	NONE
C13 CORRIDOR 2	PORCELAIN TILE	WOOD BASE 4B	VWC	AC-1/PAINT-SMOOTH	AC-1/PAINT-SMOOTH	NONE
V11 VESTIBULE 1	PORCELAIN TILE	PORCELAIN TILE	VWC	PAINT-SMOOTH	PAINT-SMOOTH	NONE
V12 VESTIBULE 2	PORCELAIN TILE	PORCELAIN TILE	VWC	PAINT-SMOOTH	PAINT-SMOOTH	NONE
C21 ELEVATOR LOBBY	PORCELAIN TILE	PORCELAIN TILE	VWC	AC-1	AC-1	NONE
C31 ELEVATOR LOBBY	PORCELAIN TILE	PORCELAIN TILE	VWC	AC-1	AC-1	NONE
C41 ELEVATOR LOBBY	PORCELAIN TILE	PORCELAIN TILE	VWC	AC-1	AC-1	NONE
C22&23 CORRIDOR 1&2	CARPET TILE	CARPET BASE	VWC	AC-1/PAINT-SMOOTH	AC-1/PAINT-SMOOTH	NONE
C32&33 CORRIDOR 1&2	CARPET TILE	CARPET BASE	VWC	AC-1/PAINT-SMOOTH	AC-1/PAINT-SMOOTH	NONE
C42&43 CORRIDOR 1&2	CARPET TILE	CARPET BASE	VWC	AC-1/PAINT-SMOOTH	AC-1/PAINT-SMOOTH	NONE
S11-S41 STAIR 1	PORCELAIN TILE/CARPET GLUE DOWN	WOOD BASE 4B/VINYL	PAINT-SMOOTH	PAINT-SMOOTH	PAINT-SMOOTH	NONE
S12-S42 STAIR 2	PORCELAIN TILE/CARPET GLUE DOWN	WOOD BASE 4B/VINYL	PAINT-SMOOTH	PAINT-SMOOTH	PAINT-SMOOTH	NONE
E1&E2 ELEVATOR SHAFTS	NONE	NONE	NONE	NONE	NONE	NONE
ALL SUPPLY AND EXHAUST SHAFTS	NONE	NONE	NONE	NONE	NONE	NONE
SHAFTS	---	---	---	---	---	---
MISCELLANEOUS	0001 PORTE COCHERE	STAMPED COLORED CONCRETE	NONE	COLUMNS- BRICK	EFS/FRP ELEMENT	NONE
0002 SUN DECK	STAMPED COLORED CONCRETE	NONE	WALL- BRICK	NONE	NONE	NONE
0003 DUMPSTER SCREEN	BROOMED CONCRETE	NONE	EFS	NONE	NONE	NONE
0004 STORAGE	STAINED/SEALED CONCRETE	NONE	PAINT-SMOOTH	PAINT-SMOOTH	PAINT-SMOOTH	NONE
MISC. STEEL PIPES, LINTELS	---	---	---	---	---	---
ALL NON-GUEST UNIT WINDOW STOOLS	---	---	---	---	---	---
ALL ELEVATOR CARS	---	---	---	---	---	---

EPOXY PAINT ALL STEEL BEAMS AND COLUMNS BEFORE FRAMING

SUSPENDED CEILING SCHEDULE

DESIGNATION	DESCRIPTION
AC-1	ACOUSTICAL FELTED PANELS, BEVELED REVEAL EDGES 24"x24"x3/4" PANELS, 9/16" PAINTED STEEL GRID ARMSTRONG CIRRIUS OR EQUIVALENT, ALL WHITE, NON-FIRE-RATED
AC-2	VINYL FACED GYPSUM PANELS, SQUARE EDGES 24"x24"x1/2" PANELS, 15/16" PAINTED STEEL GRID USG CLMPLUS, ALL WHITE, NON-FIRE-RATED

- SEE SPECIFICATIONS IN THE PROJECT MANUAL
- FIELD CUT PANELS WITH BEVELED REVEAL EDGES TO MATCH FACTORY PROFILE AND PAINT TO MATCH FACTORY FINISH.

FINISH TEXTURE SCHEDULE

LOCATION	TEXTURE
GUEST UNITS:	
SPRAYED WALL TEXTURE	FINE SPATTER/KNOCKDOWN
SPRAYED CEILING TEXTURE	FINE ORANGEPEEL

- TEXTURES ARE GENERAL DESCRIPTIONS. EXACT TEXTURING SHALL BE SELECTED THROUGH SAMPLES AND FIELD MOCK-UPS APPROVED BY ARCHITECT AND OWNER.
- GYPSUM BOARD JOINTS AND FASTENERS SHALL NOT BE VISIBLE IN ANY LIGHTING.
- KNOCKDOWN WALLS VERTICALLY, TOP TO BOTTOM.
- FOR EIFS TEXTURES, SEE A400 SHEETS.
- BASIS OF DESIGN SHERWIN WILLIAMS TUFF-SURFACE, SEE SPECIFICATIONS.

GYPSUM BOARD FINISH SCHEDULE

LOCATION	LEVEL OF GYPSUM BOARD FINISH
GYPSUM BOARD WALLS AND CEILINGS FOR SMOOTH GLOSSY-PAINTED SURFACE AND ALL PAINTED GLASS MAT FACES WHERE VISIBLE TO GUESTS	LEVEL 5 NO VISIBLE DEFECTS UNDER ANY LIGHT
GYPSUM BOARD WALLS AND CEILINGS FOR SMOOTH FLAT-PAINTED SURFACE	LEVEL 4 NO VISIBLE DEFECTS UNDER ANY LIGHT
GYPSUM BOARD WALLS AND CEILINGS FOR FINISH TEXTURE OR VWC	LEVEL 3 NO VISIBLE DEFECTS UNDER ANY LIGHT
GYPSUM BOARD WALLS ABOVE CEILINGS WHERE FIRE RATING IS REQUIRED	LEVEL 2
GYPSUM BOARD WALLS ABOVE CEILINGS WHERE FIRE RATING IS NOT REQUIRED	LEVEL 1

- LEVELS OF FINISH ARE DEFINED BY GYPSUM ASSOCIATION GA-214-M-97 AND THE SPECIFICATIONS IN THE PROJECT MANUAL

INTERIOR COLOR SCHEDULE

MATERIAL	COLOR
CEILINGS	SELECTED BY INTERIOR DESIGNER
WALLS	SELECTED BY INTERIOR DESIGNER
DOORS AND FRAMES: INSIDE GUEST ROOM	SELECTED BY INTERIOR DESIGNER
DOORS AND FRAMES: CORRIDOR	SELECTED BY INTERIOR DESIGNER
DOORS AND FRAMES: BACK-OFF-HOUSE	SELECTED BY INTERIOR DESIGNER
VINYL WALL COVERING	SELECTED BY INTERIOR DESIGNER
CORNER GUARDS	SELECTED BY INTERIOR DESIGNER
CARPET	SELECTED BY INTERIOR DESIGNER
VCT FLOOR	SELECTED BY INTERIOR DESIGNER
VINYL AND RUBBER BASE	SELECTED BY INTERIOR DESIGNER
WOOD BASE AND OTHER WOOD TRIM	SELECTED BY INTERIOR DESIGNER
PORCELAIN TILE AND GROUT	SELECTED BY INTERIOR DESIGNER
CABINETWORK FACES	SELECTED BY INTERIOR DESIGNER
STONE SURFACE	SELECTED BY INTERIOR DESIGNER
SOLID SURFACE	SELECTED BY INTERIOR DESIGNER
CULTURED MARBLE	SELECTED BY INTERIOR DESIGNER
PLASTIC LAMINATE	SELECTED BY INTERIOR DESIGNER
FAUCETS AND TOILET ACCESSORIES	SATIN CHROME/S.S. (PUBLIC) POLISHED CHROME (GUEST UNITS)
WATER CLOSETS, SINKS AND BATHTUBS	WHITE
FIRE EXTINGUISHER CABINETS	WHITE
SPRINKLER HEADS AND ESCUTCHEONS	WHITE
HVAC GRILLES AND DIFFUSERS	WHITE
RECESSED LIGHT FIXTURE ESCUTCHEONS	WHITE
SWITCHES, OUTLETS, JACKS, COVERPLATES	WHITE
FRP	GRAY
DOOR HARDWARE, UNLESS NOTED OTHERWISE	SATIN CHROME TYPICAL, EXCEPT: SATIN STAINLESS STEEL IN NATATORIUM SATIN STAINLESS STEEL ON EXTERIOR DOORS

- COLORS ARE GENERAL DESCRIPTIONS. EXACT COLORS SHALL BE SELECTED BY OWNER/ARCHITECT/INTERIOR DESIGNER DURING SUBMITTAL REVIEW.

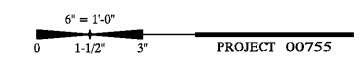
ROOM FINISH SCHEDULE NOTES

- THE ROOM FINISH SCHEDULE ON THIS DRAWING IS GENERIC. REFER TO "D" DRAWINGS FOR SPECIFIC FINISHES. THIS ROOM FINISH SCHEDULE APPLIES WHERE "D" DRAWINGS DO NOT INDICATE SPECIFIC INSTRUCTIONS.
- THE FOLLOWING MATERIALS ARE OWNER FURNISHED, CONTRACTOR INSTALLED:
 - CARPET, CARPET PAD, CARPET BASE, CARPET GLUE
 - SPORT FLOORING (FITNESS ROOM)
 - STRIP VINYL FLOORING (FITNESS ROOM)
 - PORCELAIN TILE AND GROUT
 - SOLID SURFACE, STONE SURFACE
 - VINYL WALL COVERING
- THE FOLLOWING MATERIALS ARE CONTRACTOR FURNISHED, CONTRACTOR INSTALLED:
 - ACOUSTICAL CEILINGS AND GRID SYSTEMS
 - VINYL COMPOSITION TILE
 - VINYL BASE, RUBBER BASE
 - METAL EDGE TRIM FOR CERAMIC TILES
 - PAINT, STAIN
 - PLASTIC LAMINATE
 - CULTURED MARBLE
 - ALL ELSE NOT INDICATED AS OWNER FURNISHED.
- WHERE FINISH MATERIALS ARE OWNER FURNISHED AND CONTRACTOR INSTALLED, THE CONTRACTOR IS RESPONSIBLE FOR PROVIDING ALL INSTALLATION PRODUCTS INCLUDING BUT NOT LIMITED TO PRIMERS, SEALANTS, ADHESIVES, FASTENERS, TRIM, TOOLS AND SIMILAR AS REQUIRED FOR COMPLETE AND PROPER INSTALLATION IN FULL ACCORDANCE WITH MANUFACTURER'S WRITTEN INSTRUCTIONS.
- CONTRACTOR SHALL ADVISE OWNER PRIOR TO THE ORDERING OF MATERIALS AS TO QUANTITIES OF OWNER FURNISHED MATERIALS NEEDED FOR EACH TYPE, STYLE OR VARIATION. QUANTITY SHALL INCLUDE REASONABLE OVERAGE FOR TRIMMING, PATTERN MATCHING, NORMAL WASTE AND SPARE MATERIALS REQUIRED AT SUBSTANTIAL COMPLETION.

SHEET NOTES

- COORDINATE ALL FINISHES WITH OWNER'S INTERIOR DESIGNER. OWNER'S INTERIOR DESIGNER WILL MAKE FINAL COLOR AND PATTERN SELECTIONS. SELECTIONS NOT YET MADE FOR PRODUCTS FURNISHED BY THE CONTRACTOR WILL BE IDENTIFIED THROUGH PRODUCT SUBMITTALS TO THE ARCHITECT.
- DRYWALL SURFACES SMOOTH EXCEPT WHERE TEXTURE IS NOTED. SEE GYPSUM BOARD FINISH SCHEDULE FOR LEVELS OF FINISH.
- ALLOW FOR MULTIPLE PAINT COLORS, STAIN COLORS, TILE, VWC AND CARPET PATTERNS. SEE "D" DRAWINGS.
- BASE BID ON SAME PAINT COLOR APPLIED TO ALL FOUR WALLS OF EACH SPACE, EXCEPT PROVIDE ACCENT COLOR ON HEADBOARD WALL OF ALL GUEST UNITS AND ONE WALL IN FITNESS.
- NON-SLIP CERAMIC TILE SHALL BE USED ON FLOORS. DYNAMIC COEFFICIENT OF FRICTION SHALL PASS DCOF ACUTEST 0.42 OR BETTER WHEN WET (ANSI A328.3); WATER ABSORPTION VALUE SHALL NOT EXCEED 7% (ASTM C373-72); AND BREAKING STRENGTH SHALL NOT BE LESS THAN 325 POUNDS (ASTM C648-84).
- CERAMIC TILE PRODUCTS HAVING NO BULLNOSE BASE TRIM FROM MANUFACTURER SHALL HAVE METAL EDGE TRIM.
- VINYL WALL COVERING WILL BE PROVIDED IN ROLLS FROM 48" TO 54" WIDE. FULLY SEAL (SIZE) ALL WALLS TO RECEIVE VINYL WALL COVERINGS WITH ANTI-MILDEW SEALER. APPLY VINYL WALLCOVERINGS WITH STRIPPABLE MILDEW RESISTANT AND WATERPROOF ADHESIVE.
- FOR TYPES OF GYPSUM BOARD, SEE GYPSUM BOARD SCHEDULE SHEET A601.
- FOR GYPSUM UNDERLAYMENT, SEE GYPSUM UNDERLAYMENT SCHEDULE SHEET A601.

IBC 2012 CODE COMMENTARY
INTERIOR FINISH CLASSIFICATION IS ALLOWED TO HAVE SPRINKLER REDUCTION OPTION PER TABLE 803.9

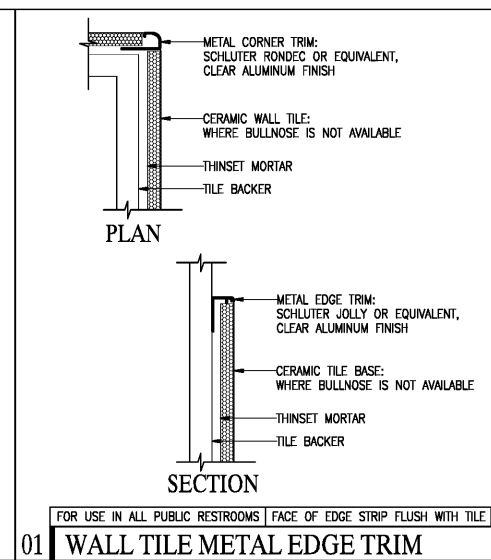
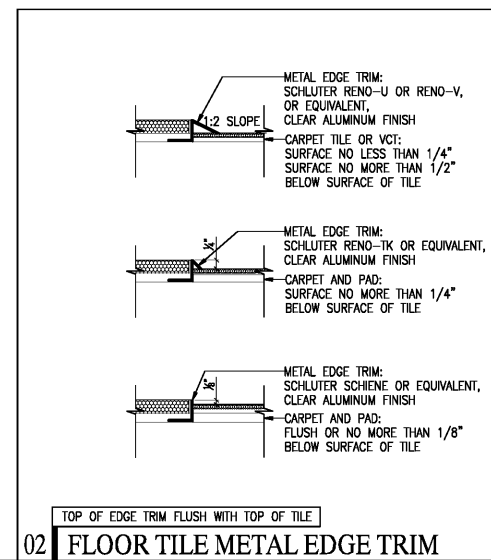


HAMPTON INN
NEW HOTEL
ASHLAND CITY, TENNESSEE
WWW.DAVIDRCARTER.NET
DAVID R. CARTER AND ASSOCIATES



ISSUE DATE 05-30-19
REVISION LOG

INTERIOR FINISHES A901



Order Plans @ WWW.DAVIDRCARTER.NET