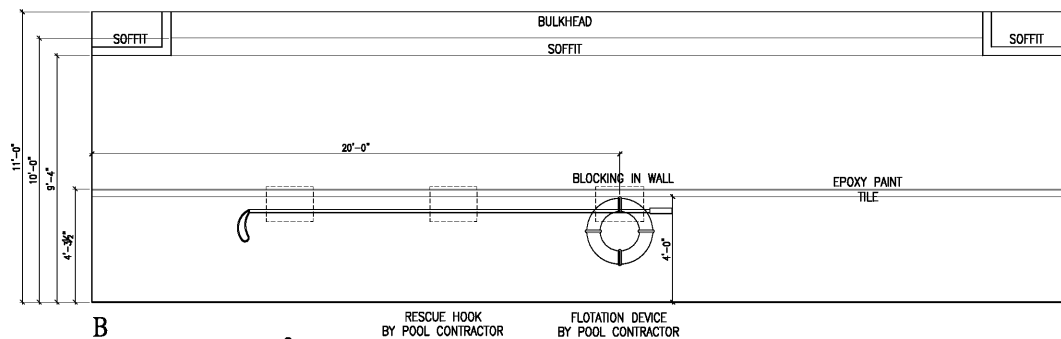
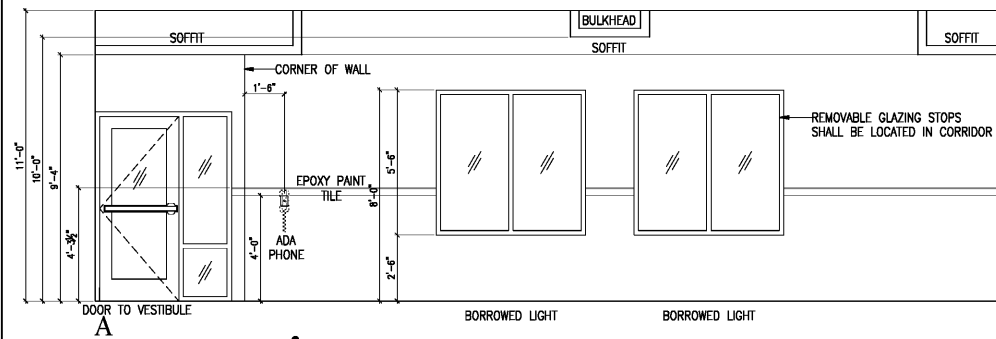


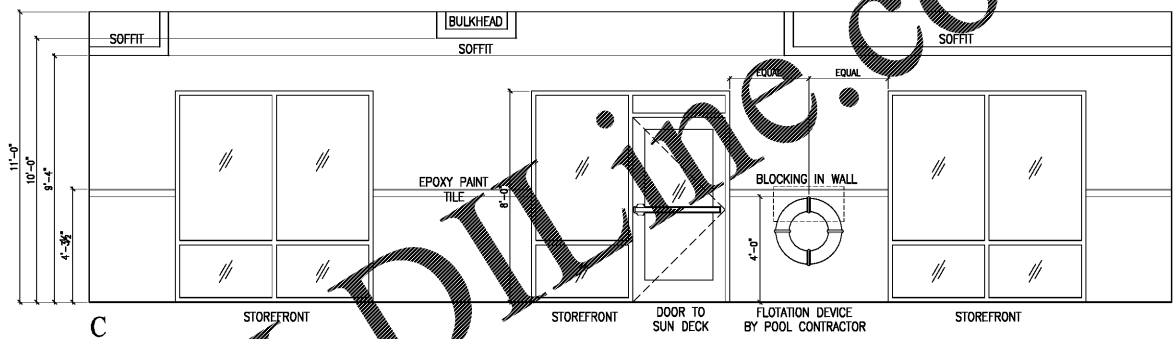
01 | 1031- WORK B

02 | 1035- NATATORIUM &



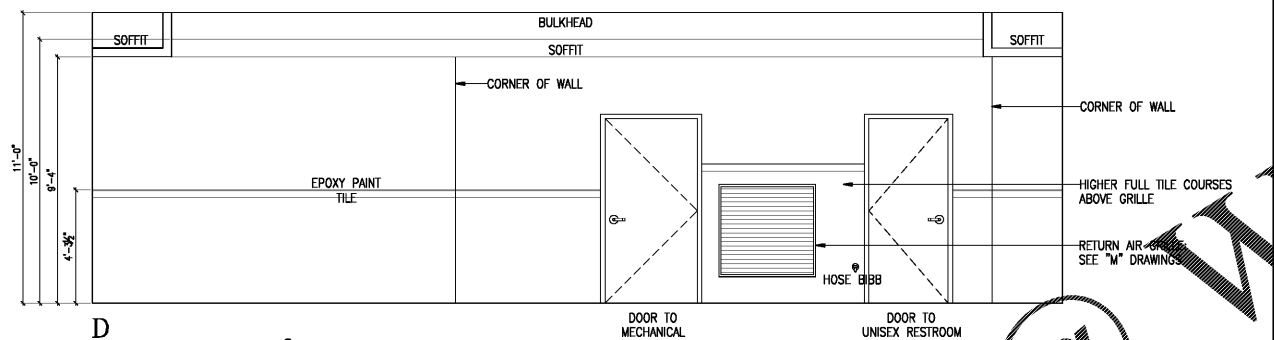
03 | 1035- NATATORIUM &

WALL TILE PATTERN
SEE "10" DRAWINGS

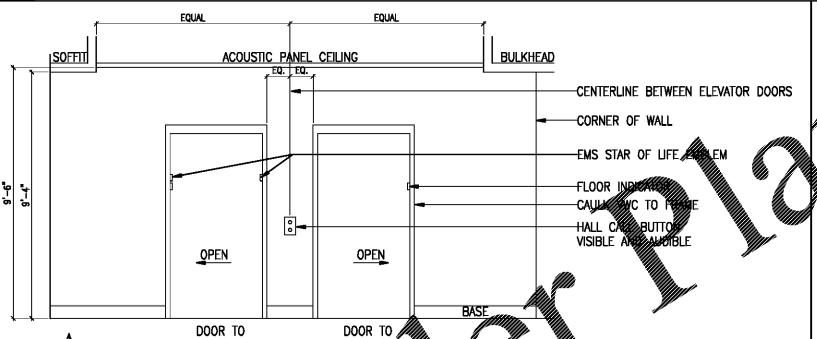
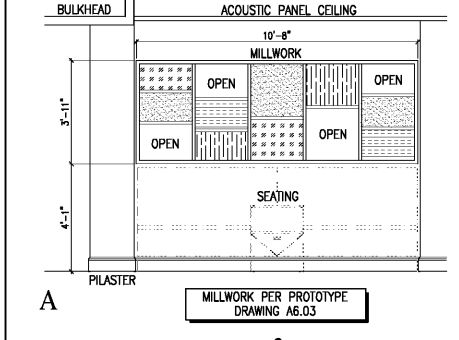
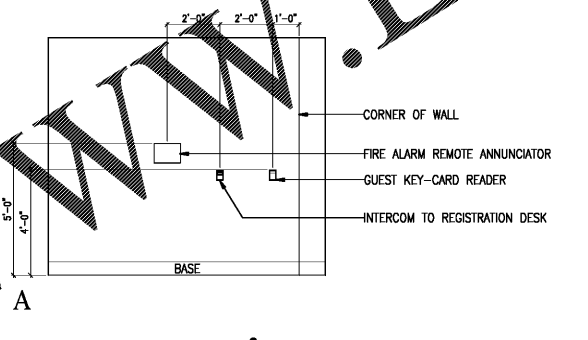


05 | V11- VESTIBULE 1 &

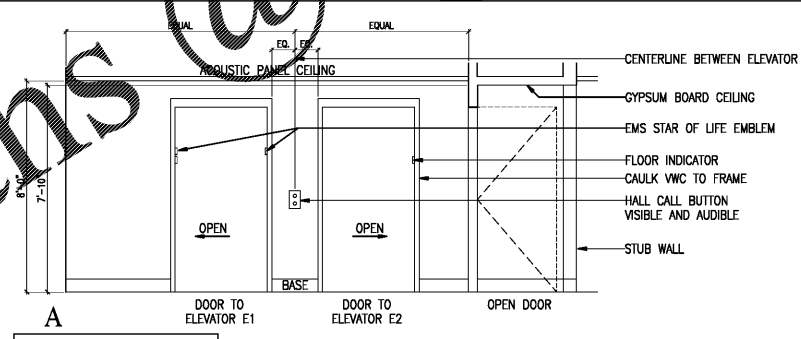
06 | C12- CORRIDOR 1 &



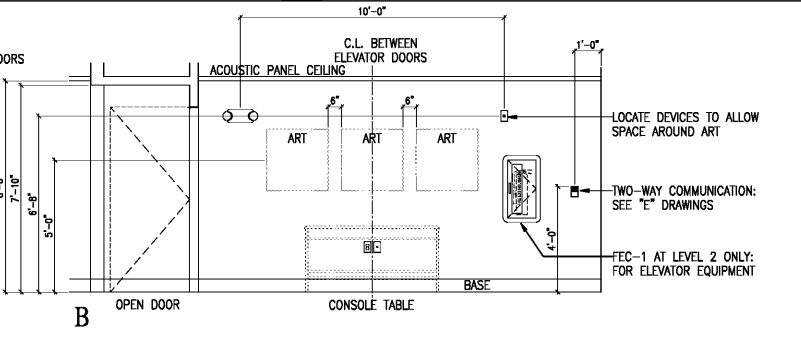
04 | 1035- NATATORIUM &



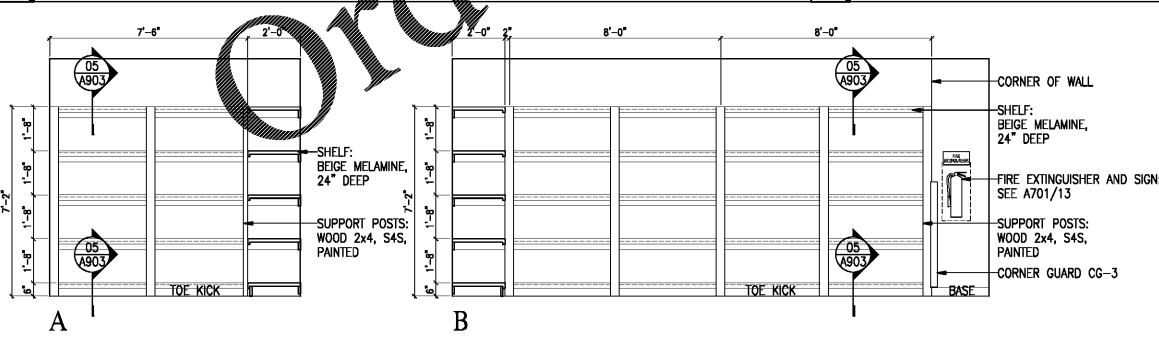
07 | C11- ELEVATOR LOBBY &



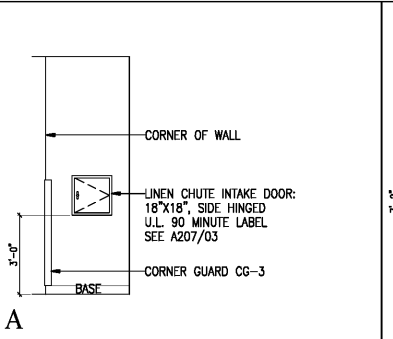
08 | C21, C31, C41- ELEVATOR LOBBY &



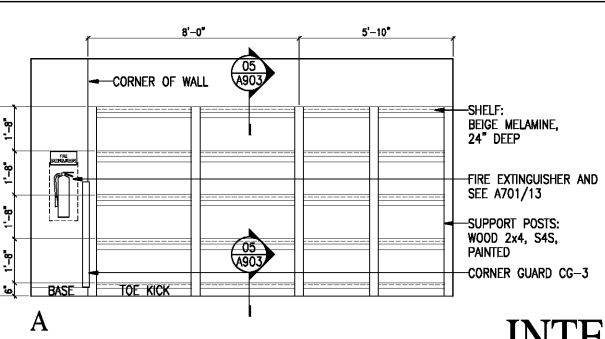
09 | C12- CORRIDOR 1 &



10 | 2001, 3001, 4001- STORAGE



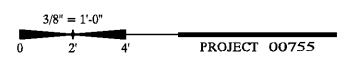
11 | 2003, 3003, 4003- LINEN CHUTE



12 | 2005, 3005, 4005- STORAGE

SHEET NOTES
1. FOR NOTES, SEE SHEET A705.

ISSUE DATE 05-30-19
REVISION LOG



INTERIOR ELEVATIONS A708

HAMPTON INN
NEW HOTEL
ASHLAND CITY, TENNESSEE
WWW.DAVIDRCARTER.NET
DAVID R. CARTER AND ASSOCIATES



Order Plans @ WWW.LDLINE.COM

30 x 42