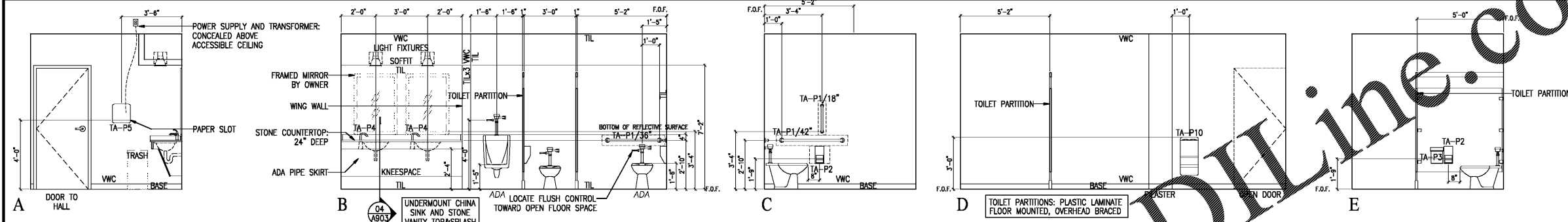
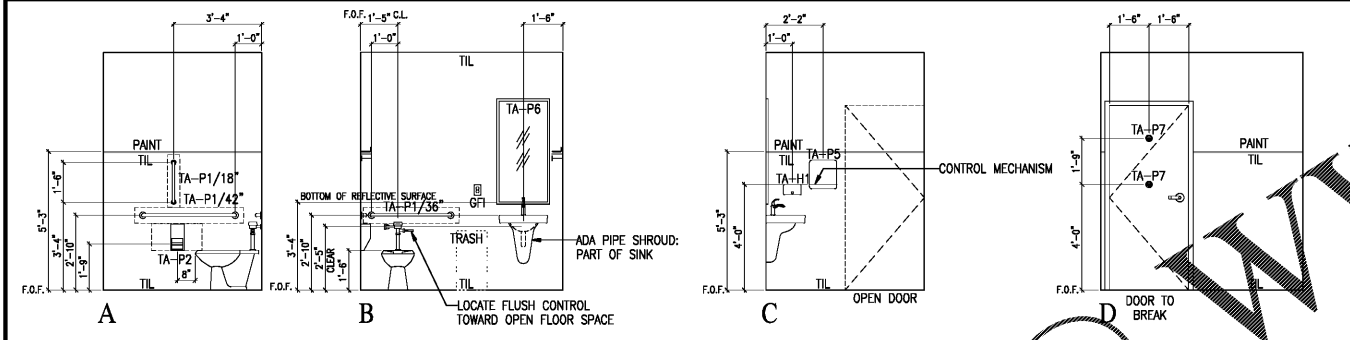


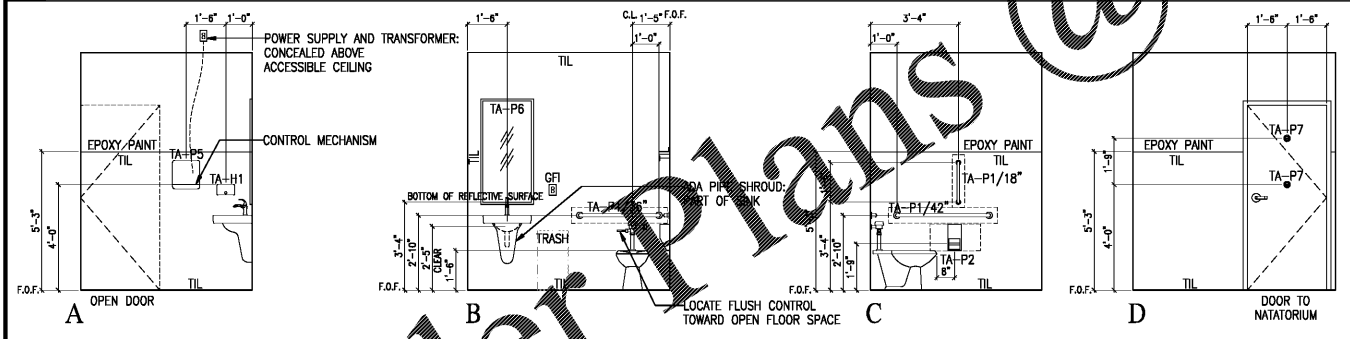
01 | 1005- WOMEN'S PUBLIC RESTROOM &



02 | 1006- MEN'S PUBLIC RESTROOM &



03 | 1012- UNISEX EMPLOYEE RESTROOM &



04 | 1033- UNISEX POOL RESTROOM &

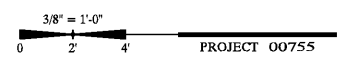
Order Plans @

WWW.LDILine.com

HAMPTON INN  
NEW HOTEL  
ASHLAND CITY, TENNESSEE  
WWW.DAVIDRCARTER.NET  
DAVID R. CARTER AND ASSOCIATES



SHEET NOTES  
1. FOR BATHROOM NOTES, SHEET A703.  
2. FOR TOILET ACCESSORY SCHEDULE, SEE A703.  
3. FOR WALL TILE PATTERNS, SEE "10" DRAWINGS.  
ISSUE DATE 05-30-19  
REVISION LOG



INTERIOR ELEVATIONS A704

30 x 42