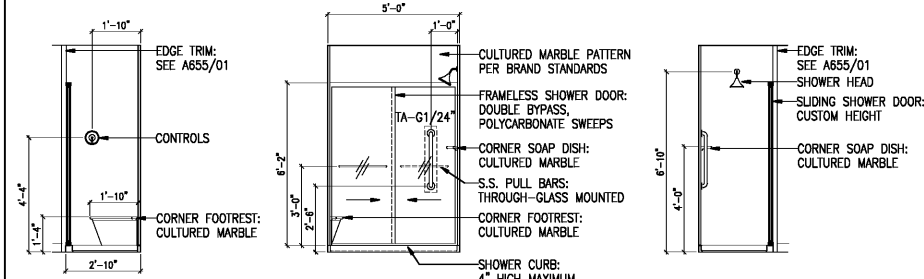
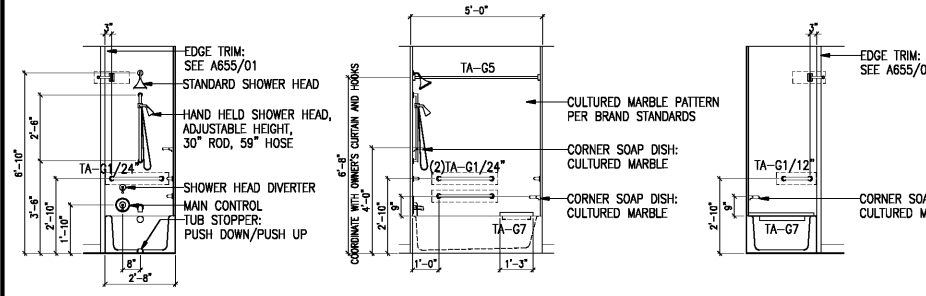


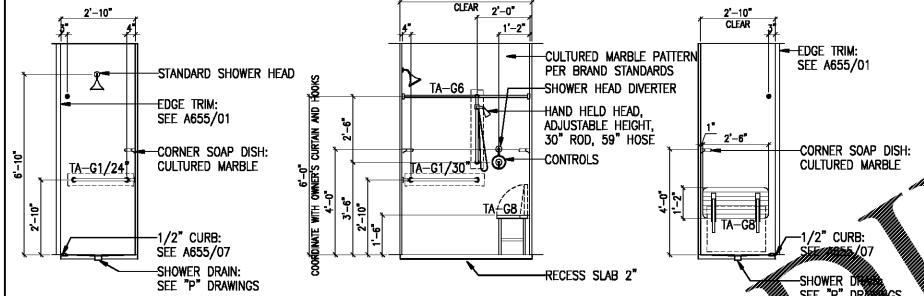
ENAMELED STEEL TUB (AMERICAST) AND CULTURED MARBLE 1/4" PANELS TUB TO CEILING, ALL THREE WALLS  
**01 BATHTUB/SHOWER**



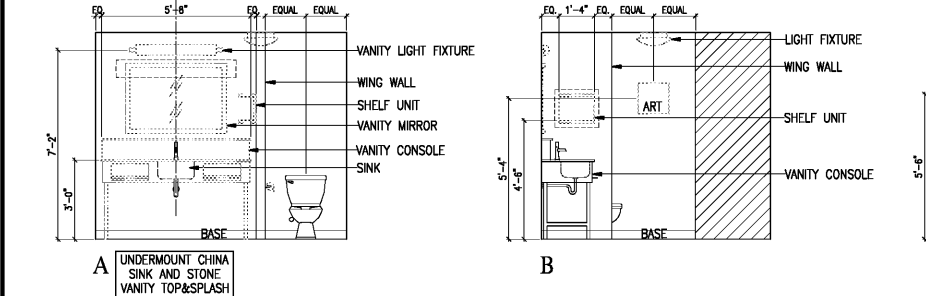
CULTURED MARBLE SHOWER PAN AND CULTURED MARBLE 1/4" PANELS PAN TO CEILING, ALL THREE WALLS  
**02 SHOWER**



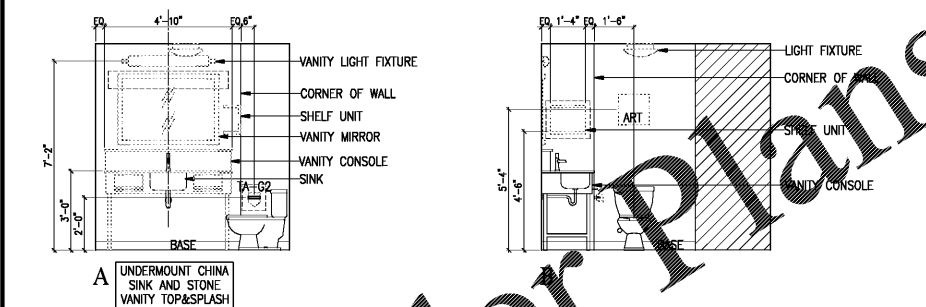
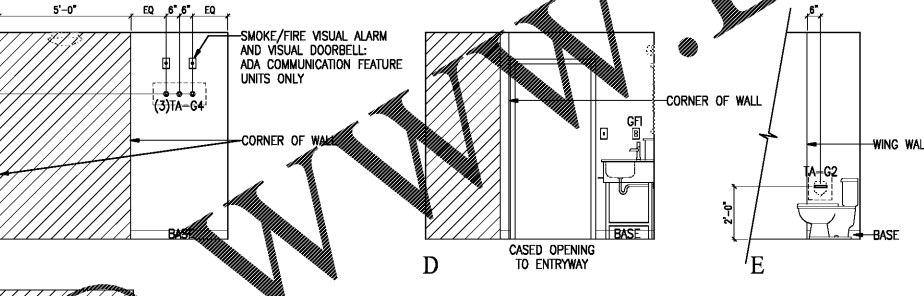
ENAMELED STEEL TUB (AMERICAST) AND CULTURED MARBLE 1/4" PANELS TUB TO CEILING, ALL THREE WALLS  
**03 ADA BATHTUB/SHOWER**



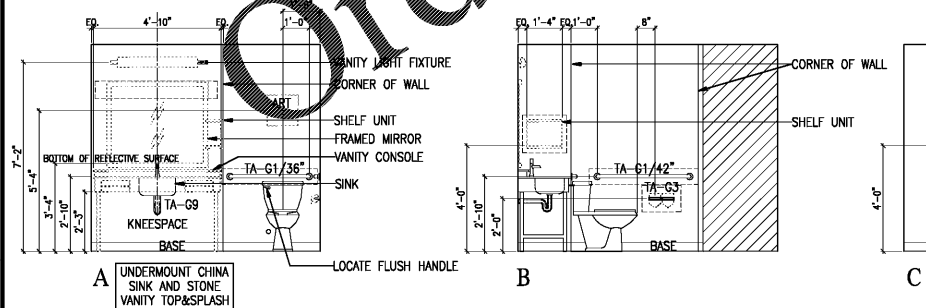
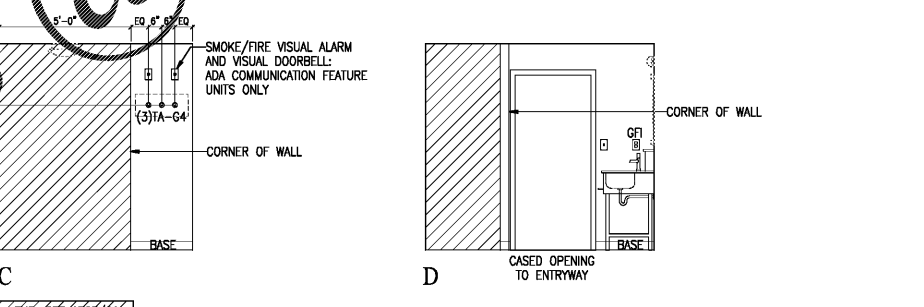
CERAMIC TILE SHOWER FLOOR AND CULTURED MARBLE 1/4" PANELS FLOOR TO CEILING, ALL THREE WALLS  
**04 ADA STANDARD ROLL-IN-SHOWER**



**05 KING ROOM AND KING SOFA ROOM**



**06 QUEEN/QUEEN ROOM**



**07 KING ROOM AND QUEEN/QUEEN ROOM & ADA MOBILITY FEATURES**

**ADA ALERT**

- THE ADA IS NOT A BUILDING CODE, IT IS A CIVIL RIGHTS LAW THAT YOU ARE RESPONSIBLE FOR COMPLYING WITH.
- THIS LAW IS 20 YEARS OLD AND THERE IS NO PENALTY FOR INSTALLING BUILDING COMPONENTS IN A MANNER THAT IS NOT ADA COMPLIANT, WHETHER PROPERLY SHOWN ON THESE PLANS OR NOT.
- GO ONLINE AND READ THE 2010 AMERICAN WITH DISABILITIES ACT ACCESSIBILITY GUIDELINES (2004 ADAAG) CHAPTERS 3-4 AND 5. CONTACT YOUR TRADE BEFORE WORKING ON THIS PROJECT. FIND ONLINE AT <http://www.ada.gov/regs/2010ADAStandards/2010ADAStandards.htm#01>
- NOTIFY ARCHITECT BEFORE INSTALLING PRODUCTS IF ANYTHING ON THESE PLANS DOES NOT COMPLY WITH THE ADA AS IT RELATES TO YOUR TRADE.
- HOTEL BRAND REQUIRES INSPECTION AND 100% ADA COMPLIANCE BEFORE HOTEL OPENS FOR BUSINESS.

**ADA TOLERANCES**

ITEM	PLAN DIMENSION	TOLERANCE ALLOWED	ADA REFERENCE
CEILING HEIGHT	36"	34"-38"	505.4
TOILET FROM SIDE WALL	17"	16"-18"	604.2(A)
TOILET SEAT HEIGHT	18"	17"-19"	604.4
TISSUE DISPENSER FROM TOILET	8"	7"-9"	604.7
GRAB BAR HEIGHT	34"	33"-36"	609.4
TUB OR SHOWER SEAT HEIGHT	18"	17"-19"	610.3

THE A.D.A. SPECIFIES DIMENSIONAL RANGES THAT ARE ACCEPTABLE. THESE PLANS INDICATE ABSOLUTE DIMENSIONS THAT THE ARCHITECT INTENDS. HOWEVER, IF FIELD CONDITIONS DO NOT PERMIT PRECISE PLACEMENT OF ITEMS AS INTENDED, THE ITEM MAY BE POSITIONED WITHIN THE TOLERANCES ABOVE, ALLOWED BY THE A.D.A., PROVIDED ALL APPLICABLE BUILDING CODES ALSO PERMIT, AND ALL SIMILAR ITEMS IN THE SAME SPACE ARE AT THE SAME POSITION (E.G. GRAB BAR HEIGHTS AT A FIXTURE).  
 THE A.D.A. ALSO SPECIFIES CERTAIN DIMENSIONS AS MINIMUM OR MAXIMUM. IT IS BEYOND THE SCOPE OF THIS SCHEDULE TO IDENTIFY THE MYRIAD OF SUCH ALLOWABLE RANGES. ANY VARIANCE FROM ABSOLUTE DIMENSIONS ON THESE PLANS (EXCEPT PER THIS SCHEDULE) MUST BE CONSIDERED CASE BY CASE AND CHANGES SHOULD ONLY OCCUR WITH PRIOR WRITTEN APPROVAL OF ARCHITECT.

**TOILET ACCESSORY SCHEDULE**

KEY	ACCESSORY	GENERAL DESCRIPTION
TA-P1	GRAB BAR	1-1/4" DIAMETER, LENGTH VARIES, SUPPORTING 250 LBF MINIMUM
TA-P2	TOILET TISSUE DISPENSER	2 ROLL, SPARE ABOVE, SURFACE MOUNTED
TA-P3	SANITARY NAPKIN RECEPTACLE	SURFACE MOUNTED
TA-P4	SOAP DISPENSER	COUNTERTOP MOUNTED
TA-P5	PAPER TOWEL DISPENSER	AC ELECTRIC TOUCHLESS, TRANSFORMER, SEMI-RECESSED MOUNTED
TA-P6	FRAMED MIRROR	24"x48", SURFACE MOUNTED
TA-P7	ROBE HOOK	2-PRONG
TA-P8	DIAPER CHANGING STATION	HORIZONTAL, SUPPORTING 250# MINIMUM, SURFACE MOUNTED
TA-P9	PIPE GUARD INSULATION	PREMANUFACTURED JACKET FOR DRAIN AND WATER SUPPLY PIPES
TA-P10	WARM AIR HAND DRYER	SURFACE MOUNTED, HIGH VELOCITY
TA-H1	SOAP DISPENSER	HORIZONTAL, SURFACE MOUNTED
TA-H2	PAPER TOWEL DISPENSER	SURFACE MOUNTED
TA-G1	GRAB BAR	1-1/4" DIAMETER, LENGTH VARIES, SUPPORTING 250 LBF MINIMUM
TA-G2	TOILET TISSUE DISPENSER	1 ROLL, SURFACE MOUNTED
TA-G3	TOILET TISSUE DISPENSER	2 ROLL, SIDE BY SIDE, SURFACE MOUNTED
TA-G4	TOWEL HOOK	1-PRONG
TA-G5	SHOWER CURTAIN ROD	CURVED, 1" DIAMETER
TA-G6	SHOWER CURTAIN ROD	STRAIGHT, 1" DIAMETER
TA-G7	IN-TUB SEAT	NON-SLIP, REMOVABLE, SUPPORTING 250 LBF MINIMUM
TA-G8	STANDARD SHOWER SEAT	FOLD UP, SUPPORTING 250 LBF MINIMUM, WITH LEGS
TA-G9	PIPE GUARD INSULATION	PREMANUFACTURED JACKET FOR DRAIN AND WATER SUPPLY PIPES

- SEE SPECIFICATIONS FOR DETAILED INFORMATION.
- ALL TOILET ACCESSORIES SHALL BE A.D.A. COMPLIANT WHERE APPLICABLE.
- FACIAL TISSUE BOXES SHALL BE PLACED ON VANITY COUNTER WITH DECORATIVE COVER. OWNER FURNISHED, OWNER INSTALLED.

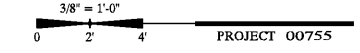
**SHEET NOTES**

- DASHED RECTANGLE AROUND TOILET ACCESSORY, TOWEL SHELF, VANITY, SHOWER ROD END, ETC. INDICATES WOOD BLOCKING SECURELY FASTENED TO 2 STUDS. SEE A655/09.
- MOUNTING HEIGHTS OF TOILET ACCESSORIES ARE TO THE CENTERLINE, UNLESS OTHERWISE DIMENSIONED. HARDWARES ARE TYPE THAT PLUG-IN TO RECEPTACLE AND ARE STORED ON SHELF.
- CAULK WITH NEAT, SUBSTANTIAL 1/4" CONCAVE SEALANT BEADS AT THE PERIMETER OF THE FOLLOWING LOCATIONS:  
 A. WATER CLOSET AT FLOOR  
 B. URINAL AT WALL  
 C. BATHTUB AND SHOWER SURROUND AT WALL AND BATHTUB OR SHOWER PAN  
 D. BATHTUB AND SHOWER PANS AT FLOORS  
 E. PLASTIC LAMINATE COUNTERTOP BACKSPASHES AND SIDESPASHES  
 F. STONE AND SOLID SURFACE COUNTERTOP BACKSPASHES AND SIDESPASHES  
 G. INSIDE OF UNDERMOUNT CHINA BOWL TO GRANITE  
 H. SHOWER ENCLOSURE GLASS PANES, BOTH SIDES  
 I. OTHER SIMILAR LOCATIONS
- COLOR OF CAULKING AND SEALANT AS FOLLOWS:  
 A. COLOR OF CAULK SHALL MATCH ITEM BEING CAULKED, SUCH AS COUNTERTOP, PLUMBING FIXTURE, ETC.  
 B. CLEAR SEALANT/CAULK NOT ALLOWED WHERE EXPOSED TO VIEW, UNLESS NOTED OR APPROVED IN WRITING.  
 C. CLEAR SEALANT IS APPROVED FOR STONE COUNTERTOP BACKSPASHES AND SIDESPASHES.  
 D. CLEAR SEALANT IS APPROVED FOR VWC EDGES AT TUB TRIM, ETC.  
 E. CLEAR SEALANT IS APPROVED FOR SHOWER DOOR ENCLOSURES.

HAMPTON INN  
 NEW HOTEL  
 ASHLAND CITY, TENNESSEE  
 WWW.DAVIDRCARTER.NET  
 DAVID R. CARTER AND ASSOCIATES



ISSUE DATE 05-30-19  
 REVISION LOG



**INTERIOR ELEVATIONS A703**