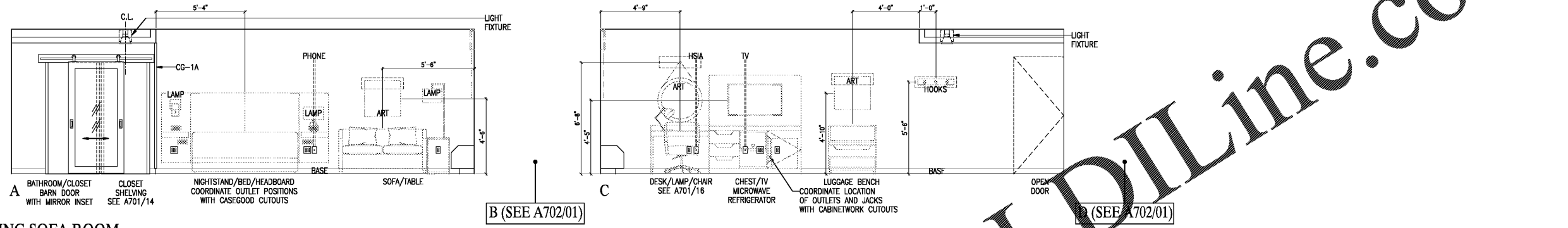
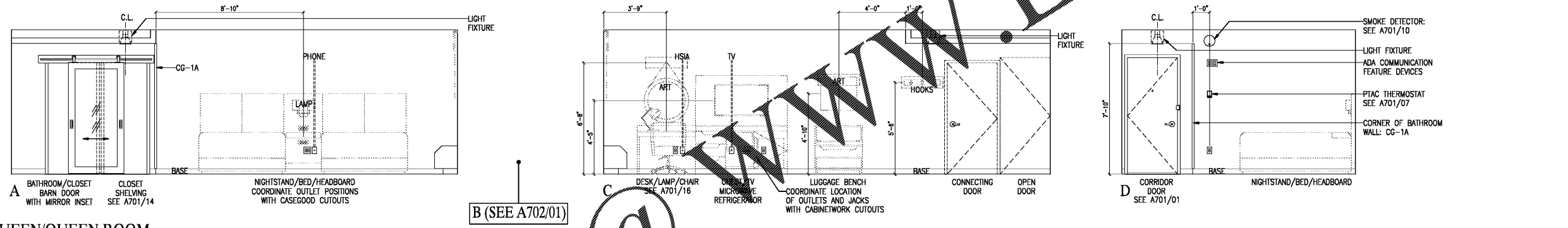


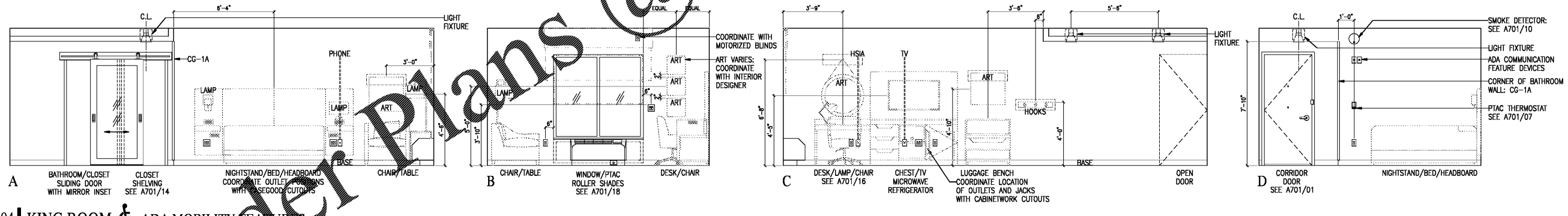
01 KING ROOM



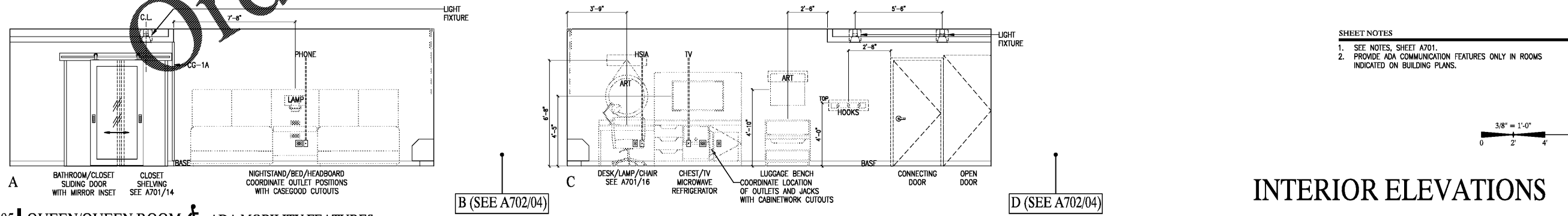
02 KING SOFA ROOM



03 QUEEN/QUEEN ROOM



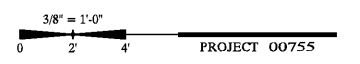
04 KING ROOM & ADA MOBILITY FEATURES



05 QUEEN/QUEEN ROOM & ADA MOBILITY FEATURES

**SHEET NOTES**  
 1. SEE NOTES, SHEET A701.  
 2. PROVIDE ADA COMMUNICATION FEATURES ONLY IN ROOMS INDICATED ON BUILDING PLANS.

ISSUE DATE 05-30-19  
 REVISION LOG



INTERIOR ELEVATIONS A702

HAMPTON INN  
 NEW HOTEL  
 ASHLAND CITY, TENNESSEE  
 WWW.DAVIDRCARTER.NET  
 DAVID R. CARTER AND ASSOCIATES



WWW.LDLine.com

30 x 42