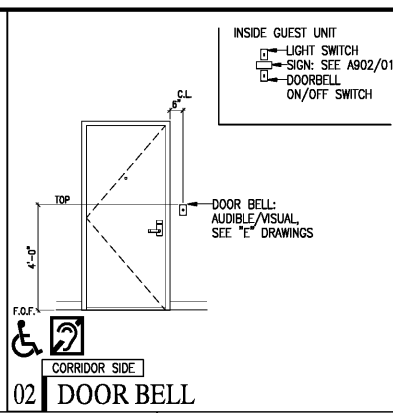
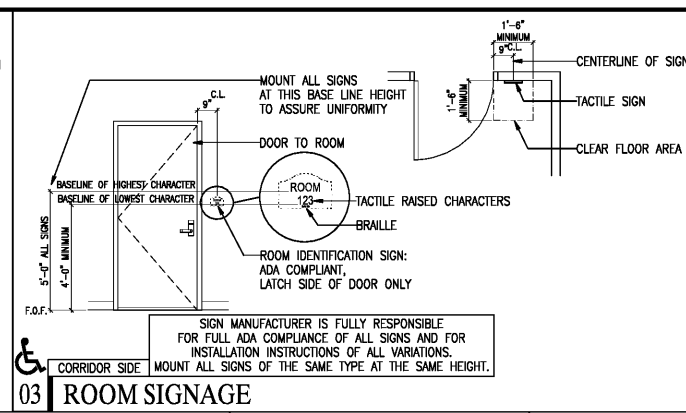


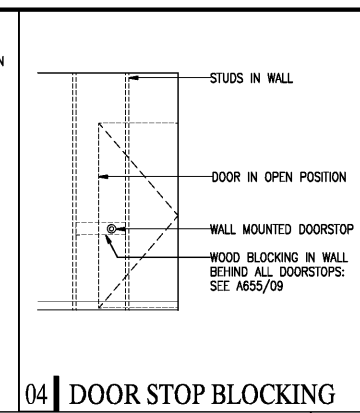
01 GUEST UNIT ENTRY DOOR



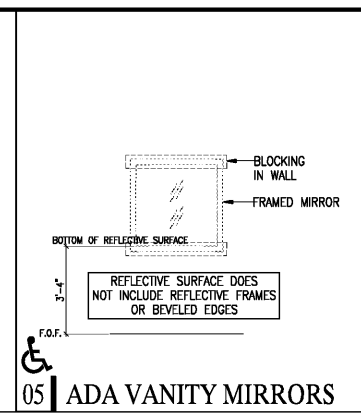
02 DOOR BELL



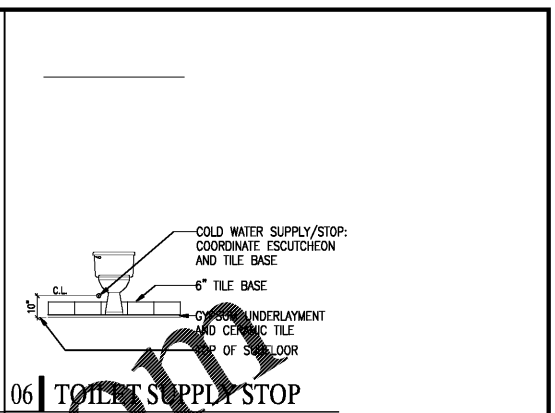
03 ROOM SIGNAGE



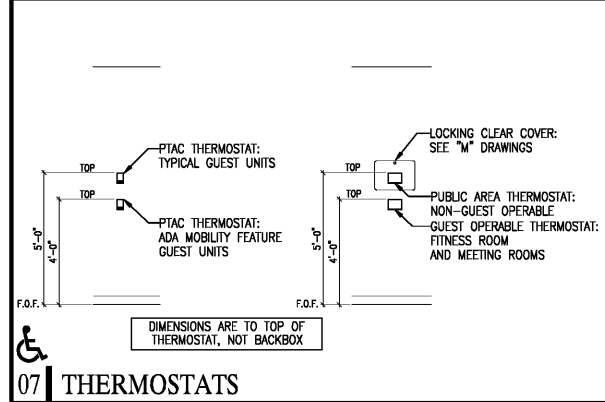
04 DOOR STOP BLOCKING



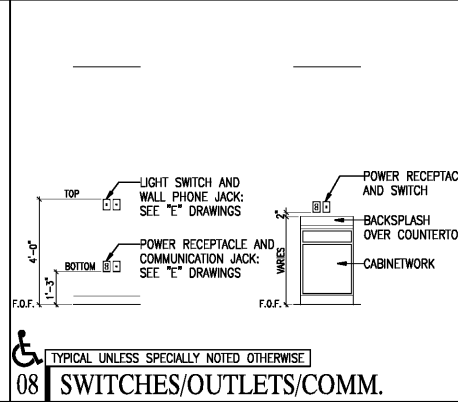
05 ADA VANITY MIRRORS



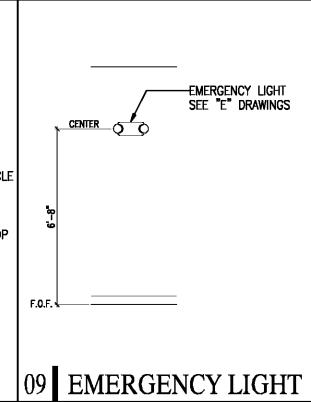
06 TOILET SUPPLY STOP



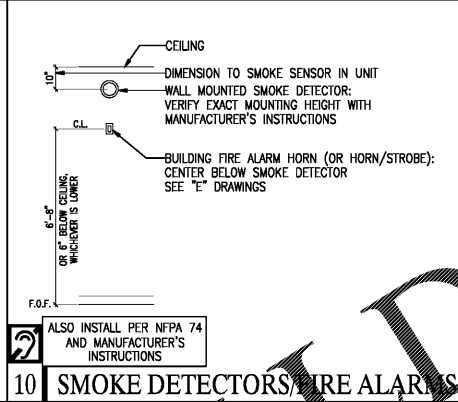
07 THERMOSTATS



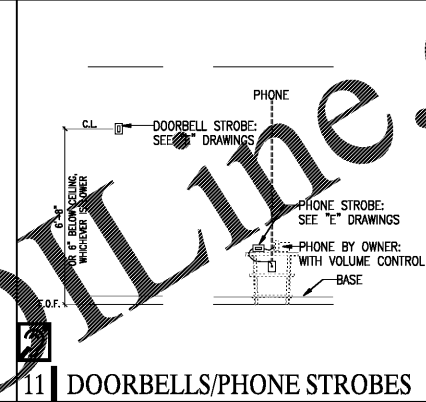
08 SWITCHES/OUTLETS/COMM.



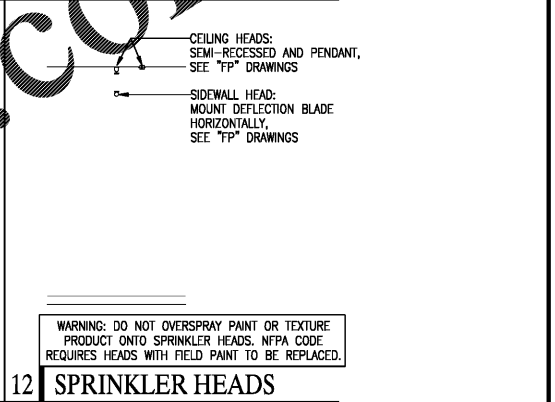
09 EMERGENCY LIGHT



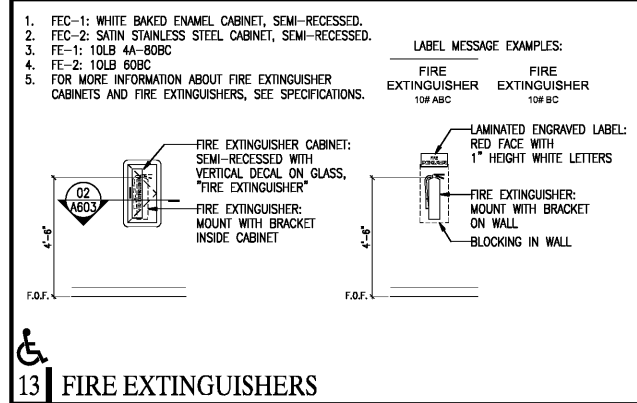
10 SMOKE DETECTORS/FIRE ALARMS



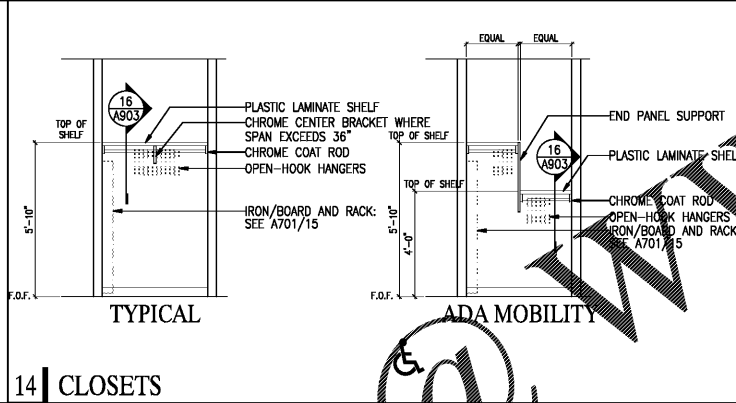
11 DOORBELLS/PHONE STROBES



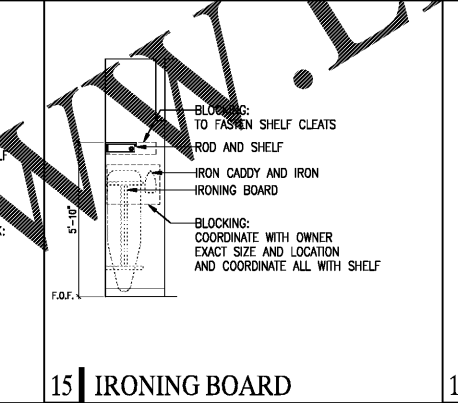
12 SPRINKLER HEADS



13 FIRE EXTINGUISHERS



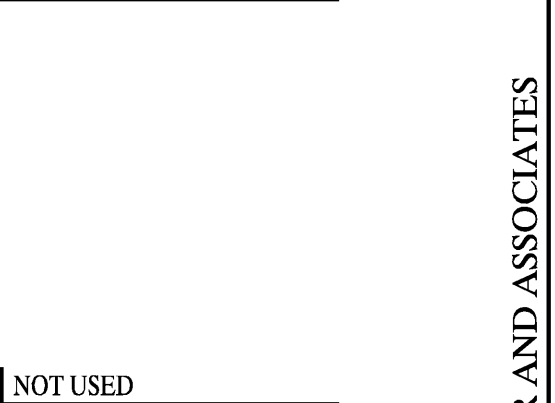
14 CLOSETS



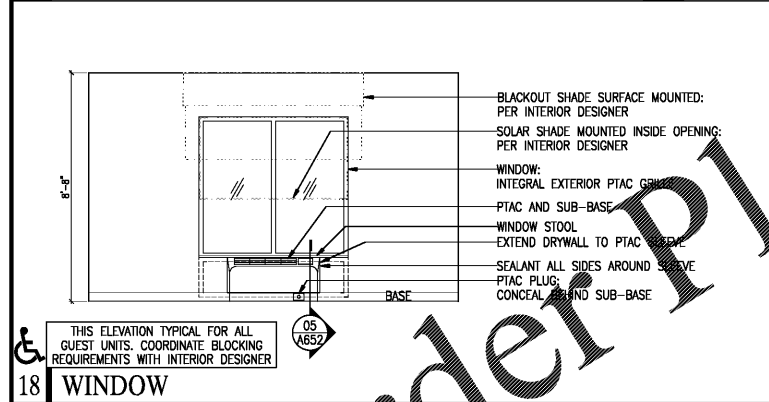
15 IRONING BOARD



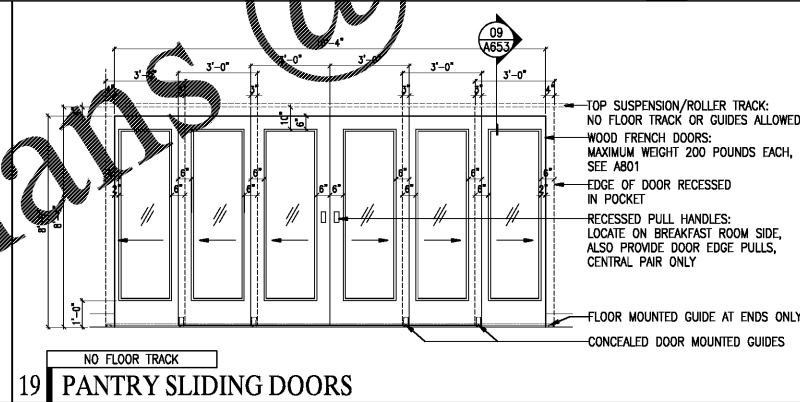
16 NOT USED



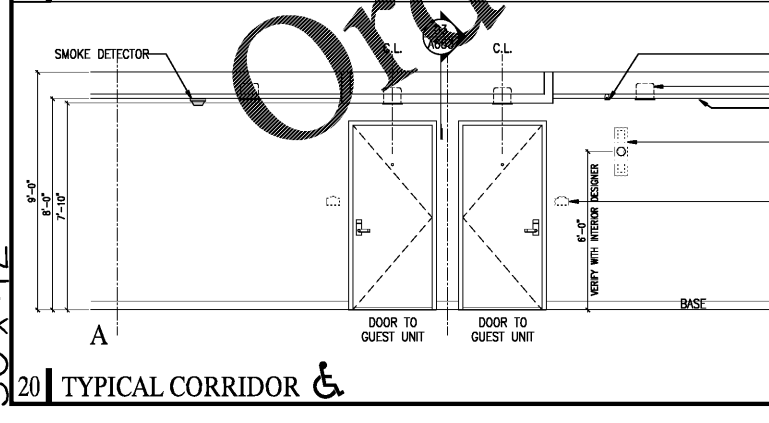
17 NOT USED



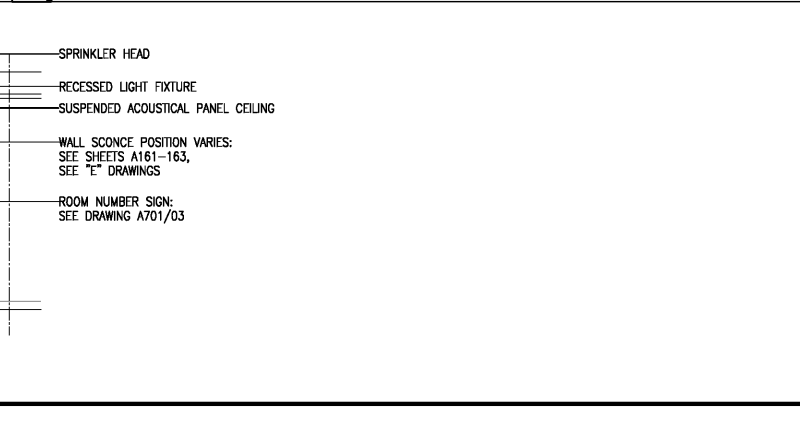
18 WINDOW



19 PANTRY SLIDING DOORS



20 TYPICAL CORRIDOR



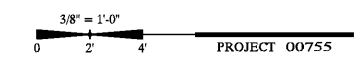
20 TYPICAL CORRIDOR (continued)

- SHEET NOTES**
- PROVIDE 2x WOOD BLOCKING IN WALLS FOR SECURE MOUNTING OF CABINETWORK, VANITIES, CLOSET SHELVING, TOILET ACCESSORIES, HAIRDRYERS, PLUG-IN LIGHT FIXTURES, IRONING BOARD RACKS, CURTAIN RODS, SHOWER RODS, GRAB BARS, SHOWER SEAT, FRAMED MIRRORS, DOOR STOPS AND SIMILAR ITEMS.
 - MOUNT HEADBOARD HANGING RAIL TO STUDS PER MANUFACTURER'S INSTRUCTIONS. IF REQUIRED, COORDINATE EXACT SIZE AND LOCATION OF HEADBOARD BLOCKING WITH OWNER. HEADBOARD BLOCKING IS NOT INCLUDED IN BASE BID.
 - LOCATE POWER OUTLETS AND JACKS CONCEALED BEHIND NIGHTSTANDS, DESKS AND TV CONSOLES. OUTLETS LOCATED BEHIND MATTRESS NOT ALLOWED.
 - NOT ALL POWER OUTLETS, JACKS, SWITCHES AND LIGHT FIXTURES ARE SHOWN HERE. PROVIDE ALL AS REQUIRED BY "E" DRAWINGS. DESK AND NIGHTSTAND WILL HAVE POWER STRIP AND USB BUILT-IN. PLUG CONNECTIVITY STRIPS INTO OUTLET BELOW.

HAMPTON INN
NEW HOTEL
ASHLAND CITY, TENNESSEE
WWW.DAVIDRCARTER.NET
DAVID R. CARTER AND ASSOCIATES



ISSUE DATE 05-30-19
REVISION LOG



INTERIOR ELEVATIONS A701