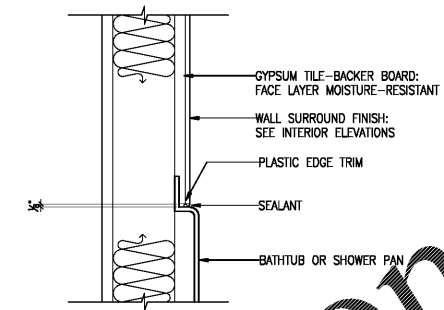
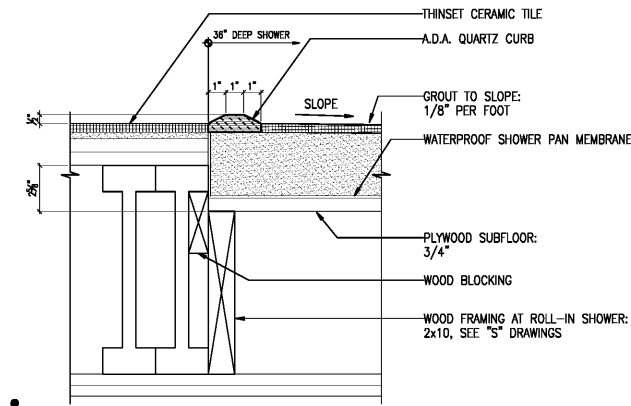


15 | NOT USED

11 | NOT USED

07 | ROLL-IN-SHOWER

03 | BATHTUB / SHOWER AT NON-FIRE-RATED WALL

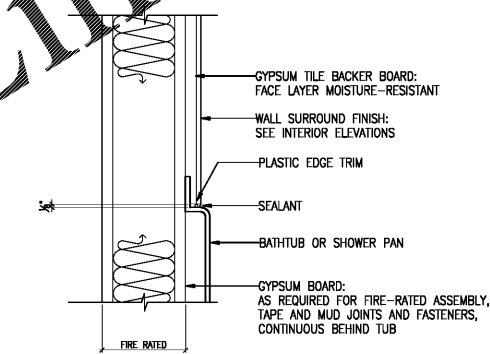
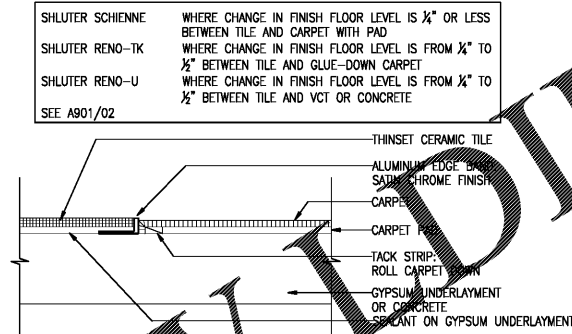
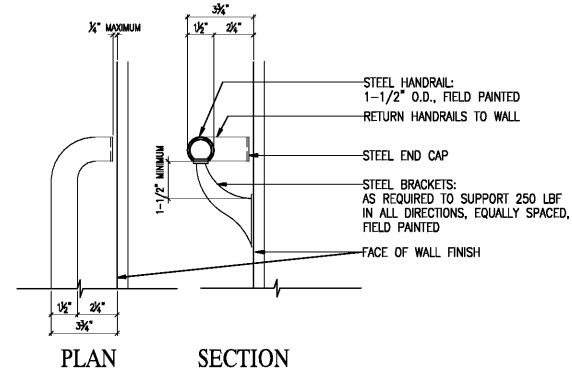


14 | NOT USED

10 | STEEL HANDRAILS AT WALL

06 | FINISH FLOOR TRANSITION

02 | BATHTUB / SHOWER AT FIRE-RATED WALL

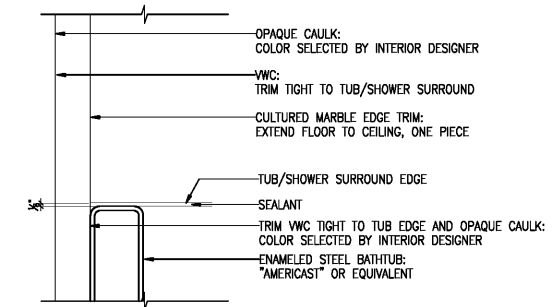
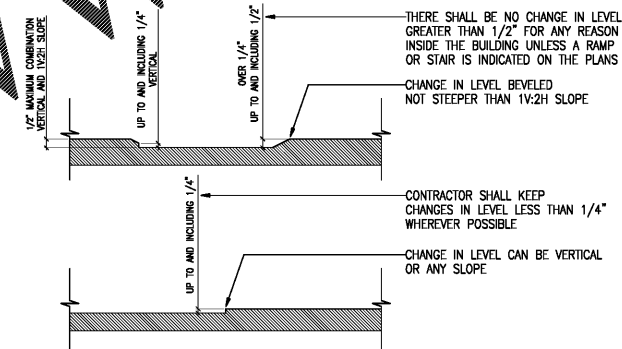
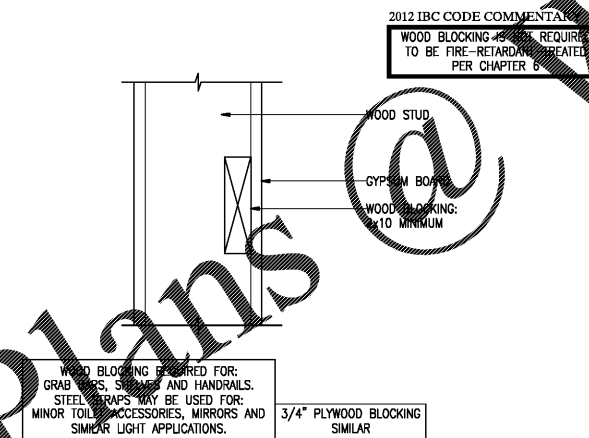


13 | NOT USED

09 | WOOD BLOCKING

05 | FINISH FLOOR CHANGES IN LEVEL

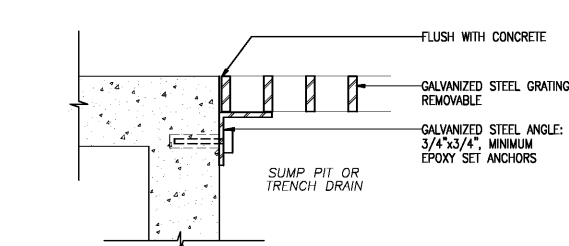
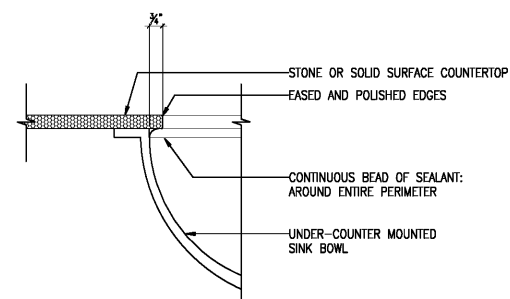
01 | EDGE OF TUB/SHOWER SURROUND



12 | NOT USED

08 | UNDER COUNTER MOUNTED SINK

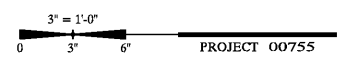
04 | TRENCH AND PIT GRATE



HAMPTON INN  
NEW HOTEL  
ASHLAND CITY, TENNESSEE  
WWW.DAVIDRCARTER.NET  
DAVID R. CARTER AND ASSOCIATES



ISSUE DATE 05-30-19  
REVISION LOG



DETAILS A655

30 x 42

Order Plans @

Plans @

WWW.IDIline.com