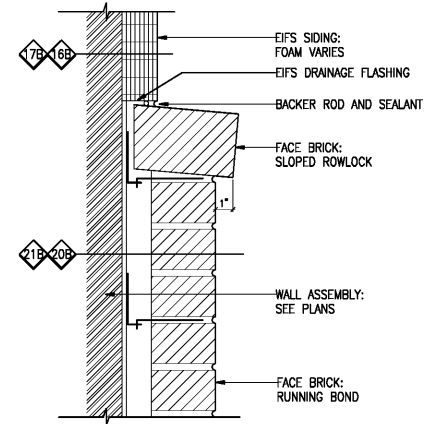


15 | NOT USED

11 | BRICK TRIM

07 | NOT USED

03 | NOT USED

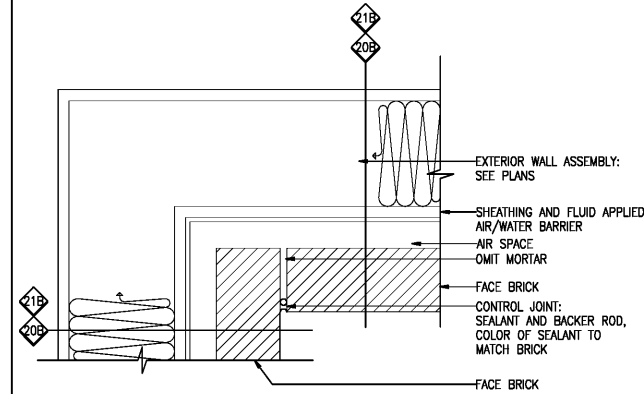


14 | NOT USED

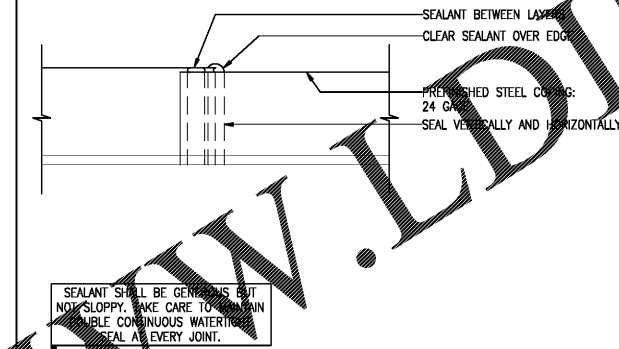
10 | BRICK CONTROL JOINT

06 | METAL COPING LAP

02 | NOT USED



PROVIDE CONTROL JOINTS RECOMMENDED BY BIA



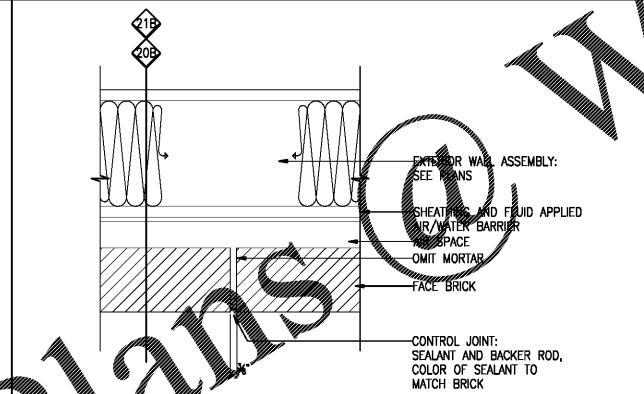
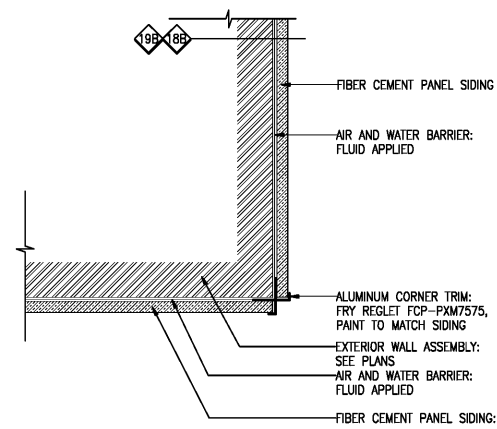
SEALANT SHALL BE GENEROUS BUT NOT SLOPPY. TAKE CARE TO MAINTAIN A DOUBLE CONTINUOUS WATERPROOFING SEAL AT EVERY JOINT.

13 | FIBER CEMENT OUTSIDE CORNER TRIM

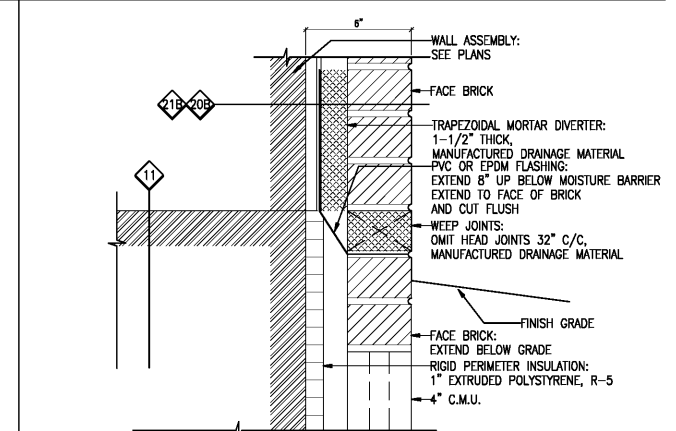
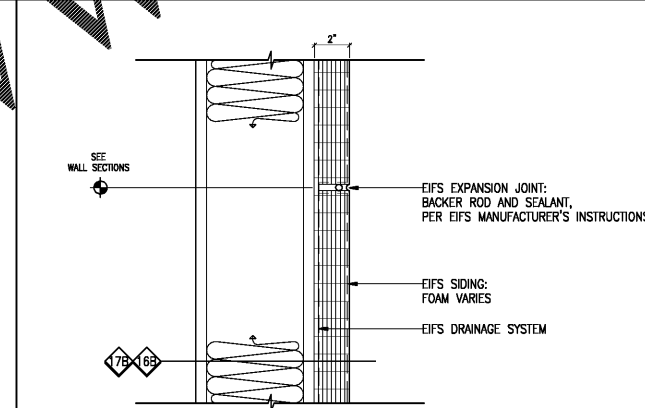
09 | BRICK CONTROL JOINT

05 | EIFS EXPANSION JOINT

01 | WEEP HOLES



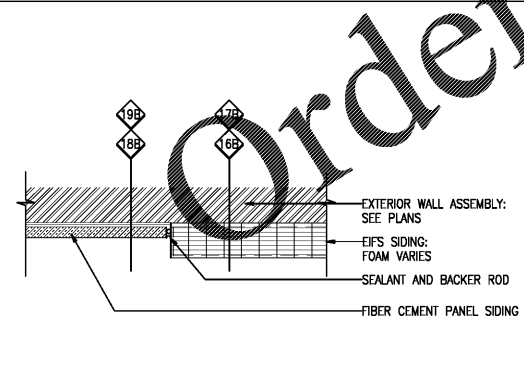
PROVIDE CONTROL JOINTS RECOMMENDED BY BIA



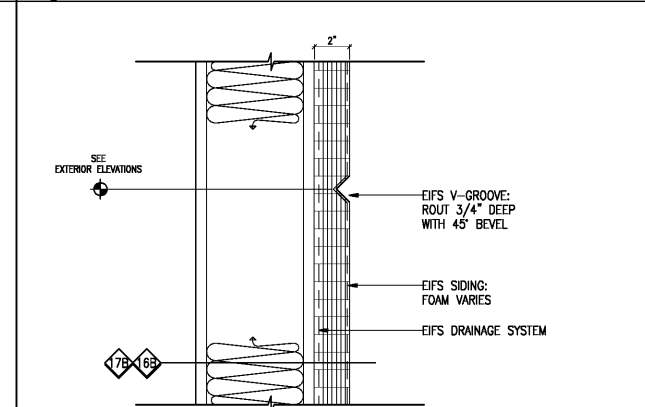
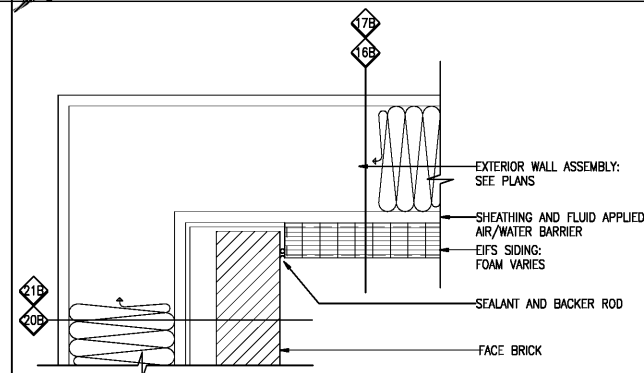
12 | FIBER CEMENT SIDING - EIFS JOINT

08 | BRICK / EIFS CORNER

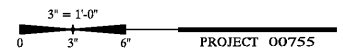
04 | EIFS V-GROOVE



INSIDE CORNERS SIMILAR



VERTICAL AND HORIZONTAL JOINTS ARE THE SAME



DETAILS A654

HAMPTON INN
NEW HOTEL
ASHLAND CITY, TENNESSEE
WWW.DAVIDRCARTER.NET
DAVID R. CARTER AND ASSOCIATES



ISSUE DATE 05-30-19
REVISION LOG