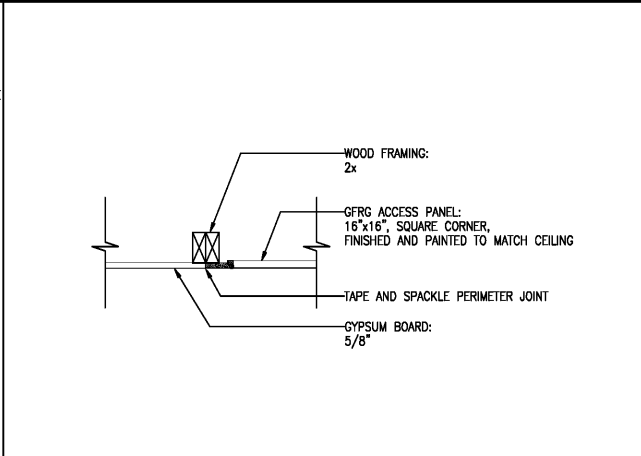
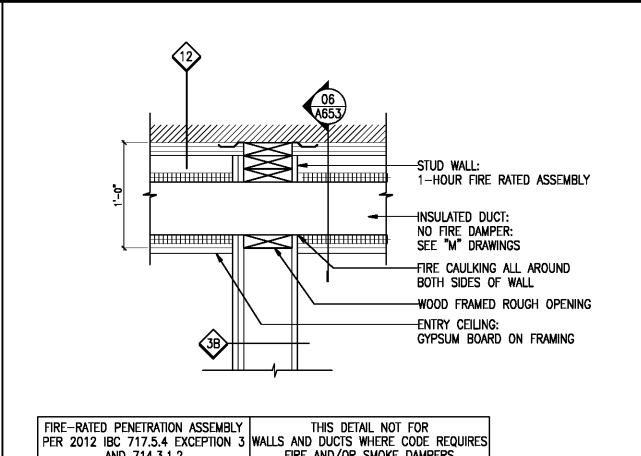


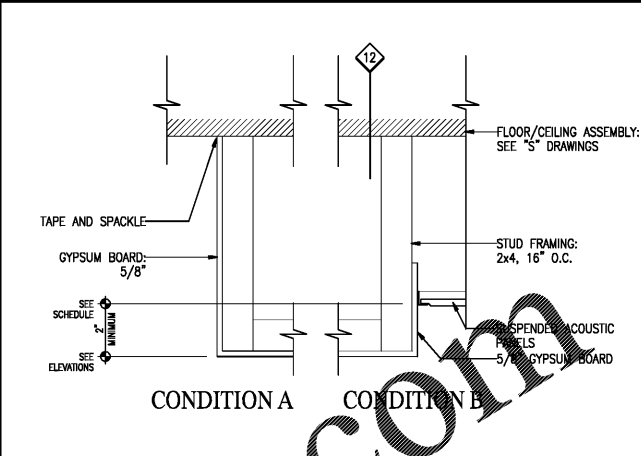
15 OPERABLE PANEL PARTITION



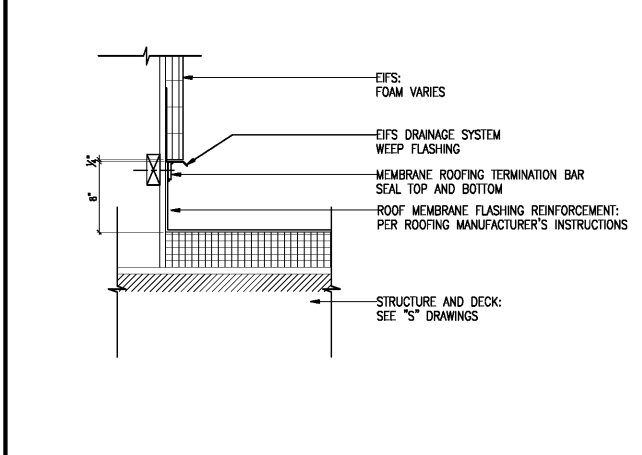
11 GFRG CEILING ACCESS PANEL



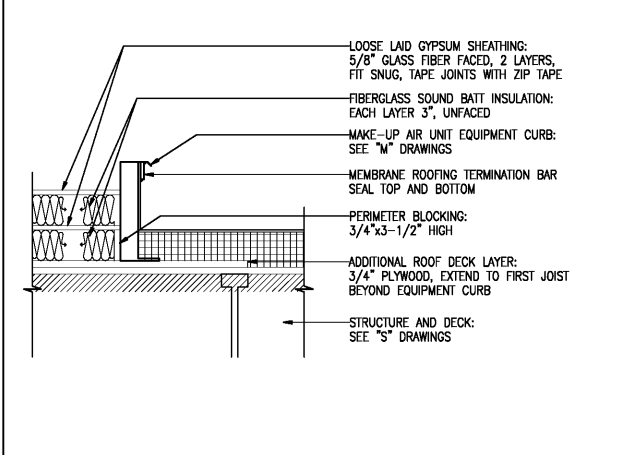
07 DUCT PENETRATION



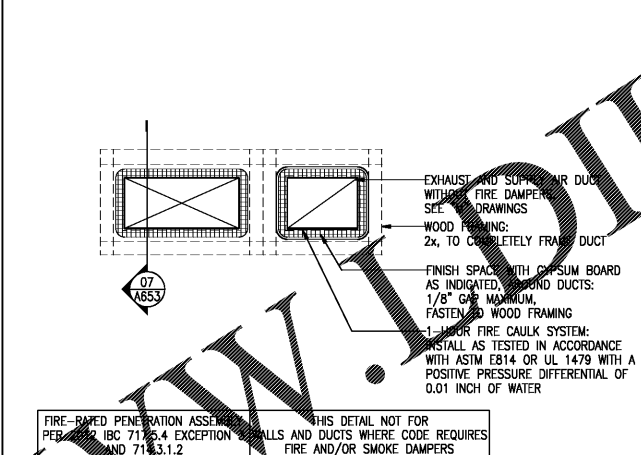
03 INTERIOR SOFFIT OR BULKHEAD



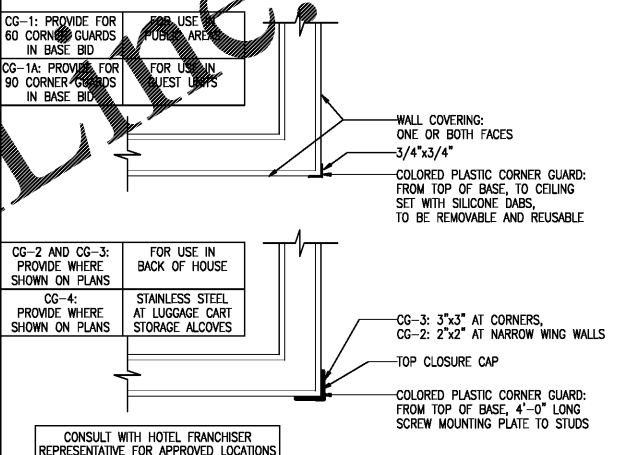
14 ROOF FLASHING



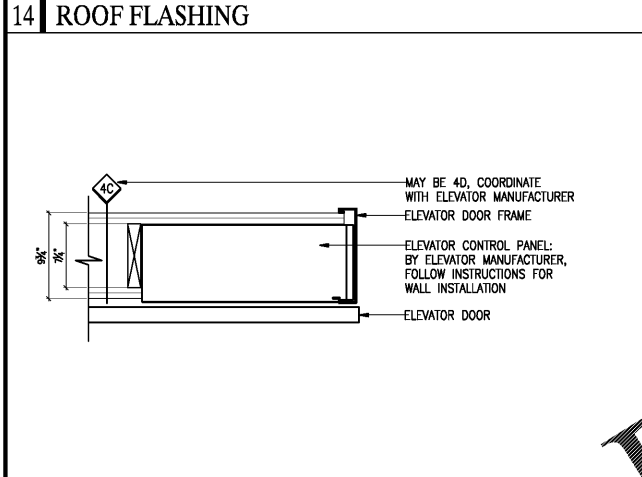
10 ROOFTOP MAKE-UP AIR UNIT



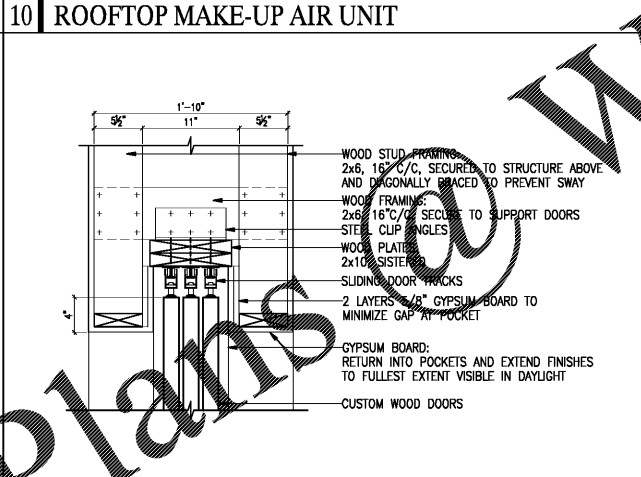
06 DUCT PENETRATION



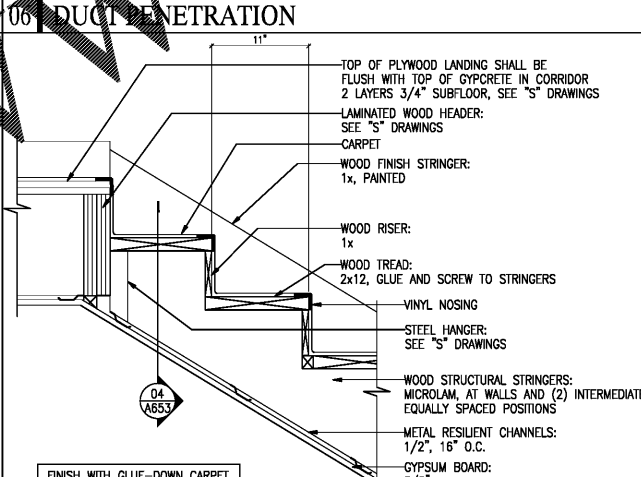
02 CORNER GUARDS



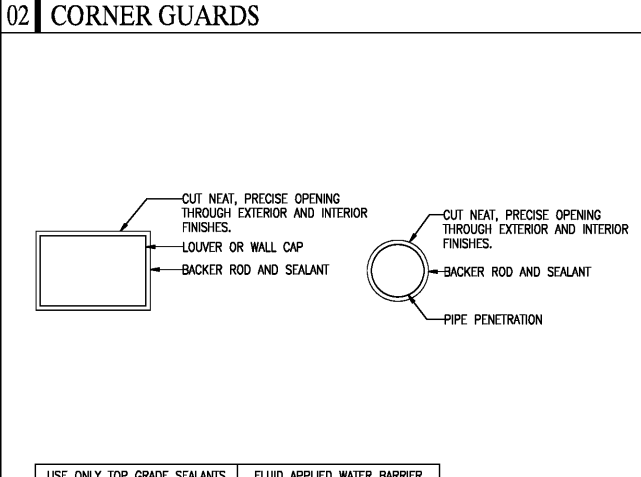
13 ELEVATOR CONTROL PANEL



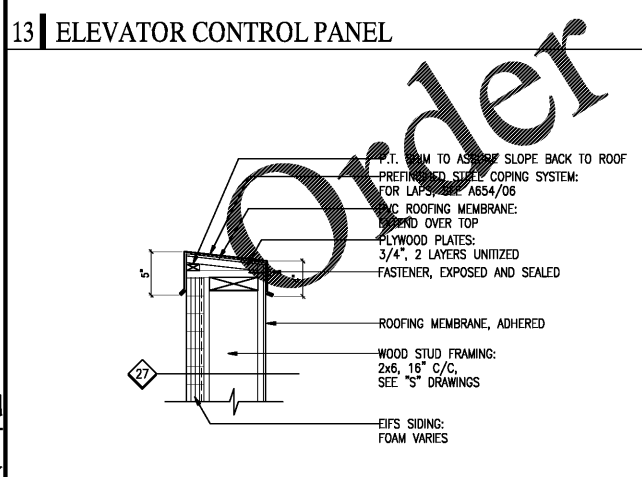
09 SLIDING PARTITION DOORS



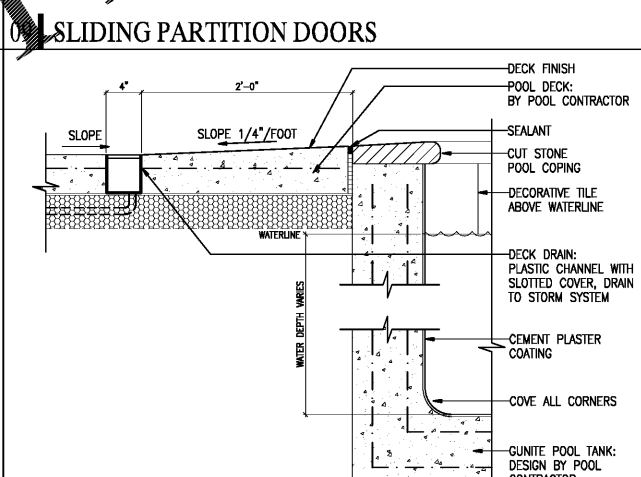
05 STAIR TREAD AND RISER



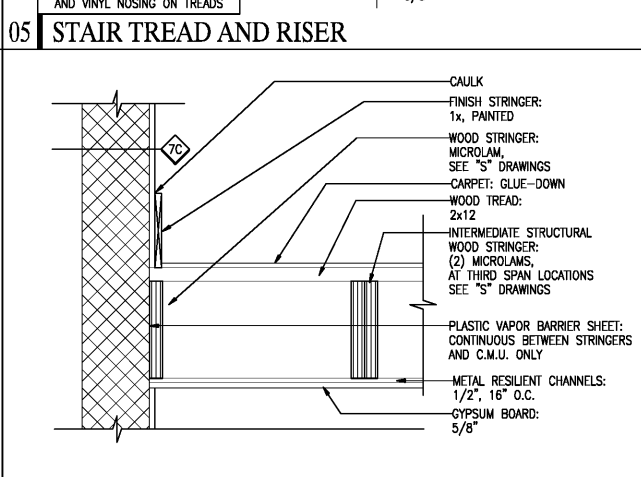
01 EXTERIOR WALL PENETRATIONS



12 PARAPET COPING



08 POOL COPING

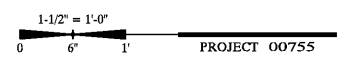


04 STAIR STRINGER

HAMPTON INN
NEW HOTEL
ASHLAND CITY, TENNESSEE
WWW.DAVIDRCARTER.NET
DAVID R. CARTER AND ASSOCIATES



ISSUE DATE 05-30-19
REVISION LOG



DETAILS A653

30 x 42