

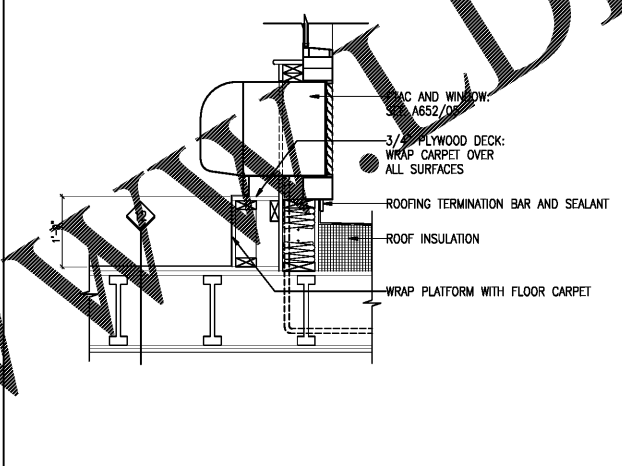
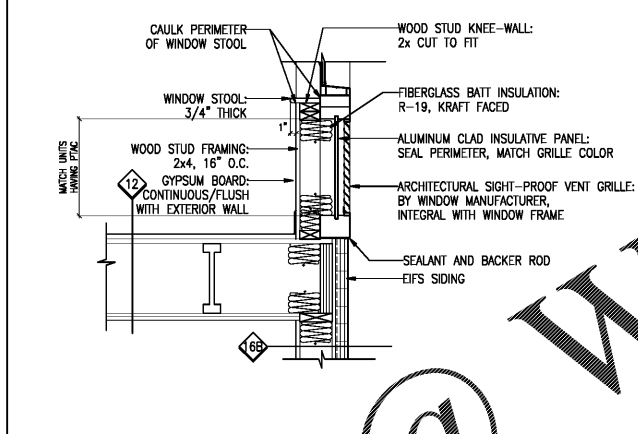
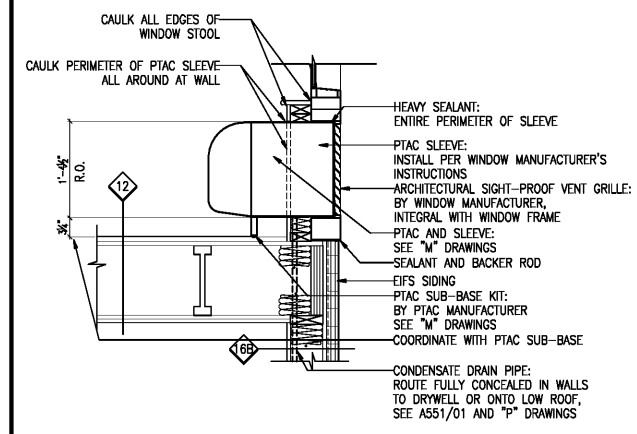
01 BATH EXHAUST DUCT

2012 IBC CODE NOTES
SHAFT AND FIRE DAMPER NOT REQUIRED PER 717.6.1 EXCEPTION 1-5

02 SHAFT WALL AT FLOOR/CEILING

03 CHASE WALL AT FLOOR/CEILING

04 ELEVATOR SHAFT OPENING

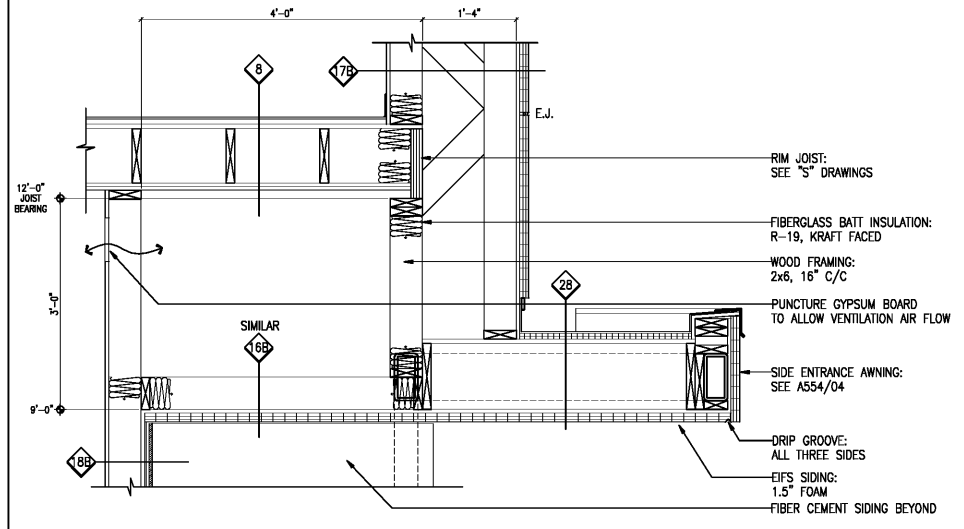
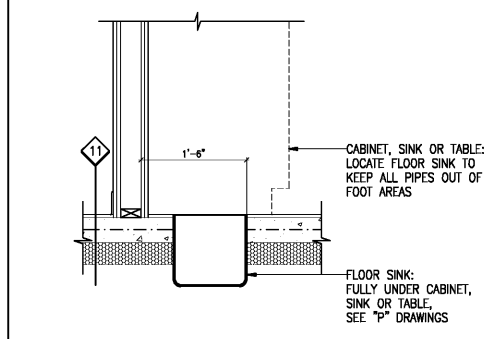
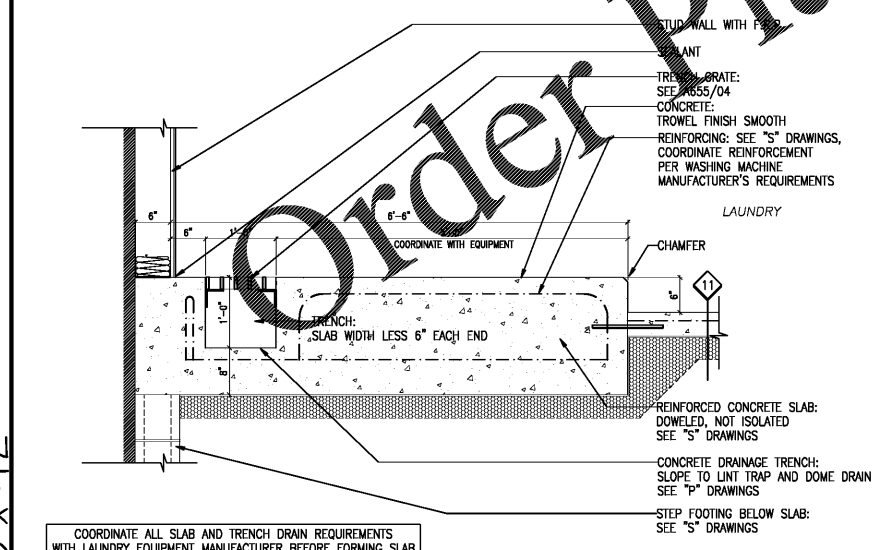


05 PTAC THROUGH-WALL UNIT

06 DUMMY GRILLE

07 PTAC THROUGH-WALL UNIT - HIGH PLATFORM

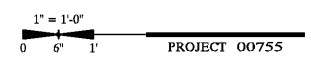
08 NOT USED



09 WASHER SLAB

10 FLOOR SINK

11 SIDE ENTRY ALCOVE



HAMPTON INN
NEW HOTEL
ASHLAND CITY, TENNESSEE
WWW.DAVIDRCARTER.NET
DAVID R. CARTER AND ASSOCIATES



ISSUE DATE 05-30-19
REVISION LOG

DETAILS A652

30 x 42