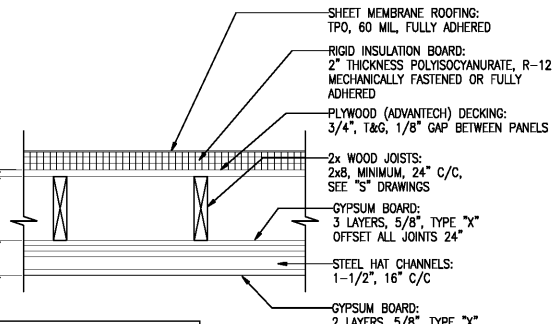


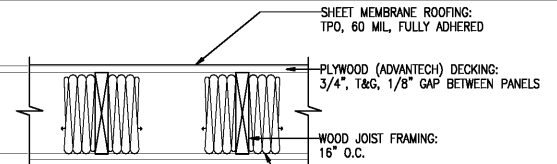
ASSEMBLY NOT FIRE-RATED ROOFING SYSTEM: CLASS A MATERIALS

30 ROOF-CEILING ASSEMBLY



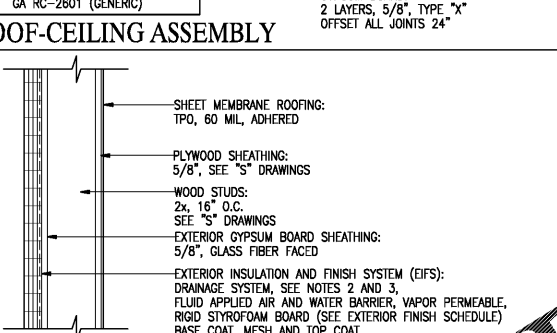
TWO-HOUR FIRE-RATED ASSEMBLY GA RC-2750 (GENERIC)

29 ROOF-CEILING ASSEMBLY



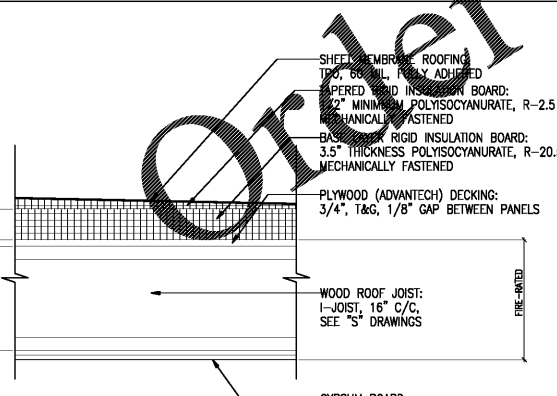
ONE-HOUR FIRE-RATED GA RC-2601 (GENERIC)

28 ROOF-CEILING ASSEMBLY



ASSEMBLY NOT FIRE-RATED ROOFING SYSTEM: CLASS A MATERIALS

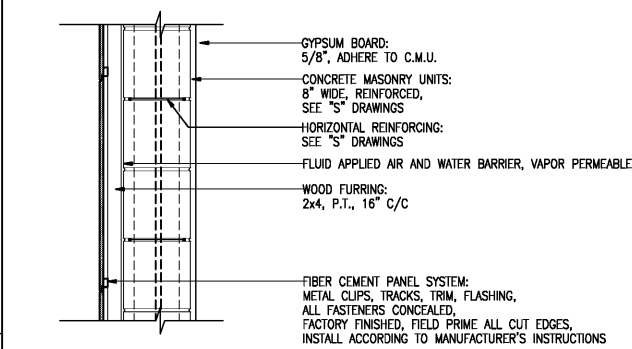
27 PARAPET WALL ASSEMBLY



ONE-HOUR FIRE-RATED ESR 1153 ASSEMBLY B (PROPRIETARY)

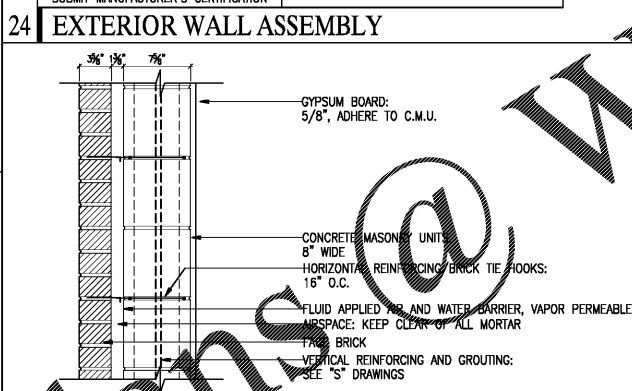
26 ROOF-CEILING ASSEMBLY

25 NOT USED



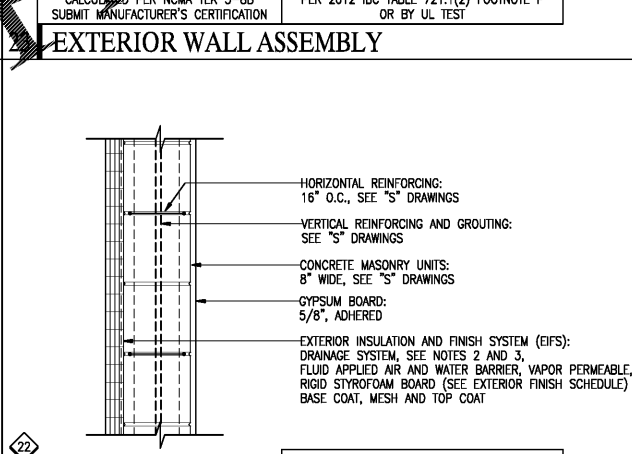
TWO-HOUR FIRE-RATED BLOCK CALCULATED PER NEMA TEK 5-88 SUBMIT MANUFACTURER'S CERTIFICATION

25 EXTERIOR WALL ASSEMBLY



TWO-HOUR FIRE-RATED BLOCK CALCULATED PER NEMA TEK 5-88 SUBMIT MANUFACTURER'S CERTIFICATION

24 EXTERIOR WALL ASSEMBLY

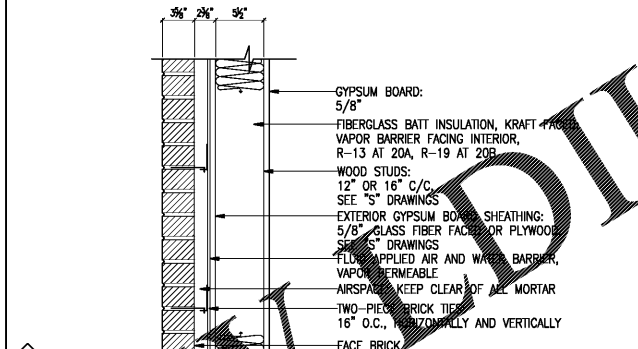


TWO-HOUR FIRE-RATED BLOCK CALCULATED PER NEMA TEK 5-88 SUBMIT MANUFACTURER'S CERTIFICATION

22 EXTERIOR WALL ASSEMBLY

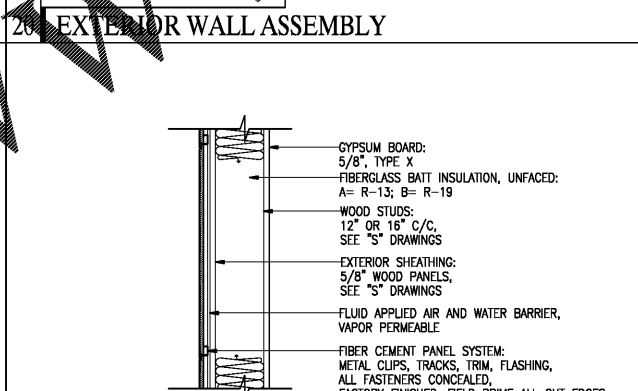
ONE-HOUR FIRE-RATED ASSEMBLY GA WP-8130 (PROPRIETARY)

21 EXTERIOR WALL ASSEMBLY



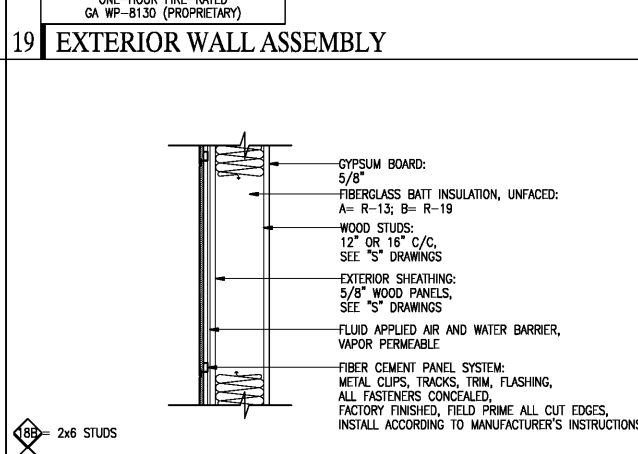
ASSEMBLY NOT FIRE-RATED

21 EXTERIOR WALL ASSEMBLY



ONE-HOUR FIRE-RATED GA WP-8130 (PROPRIETARY)

19 EXTERIOR WALL ASSEMBLY

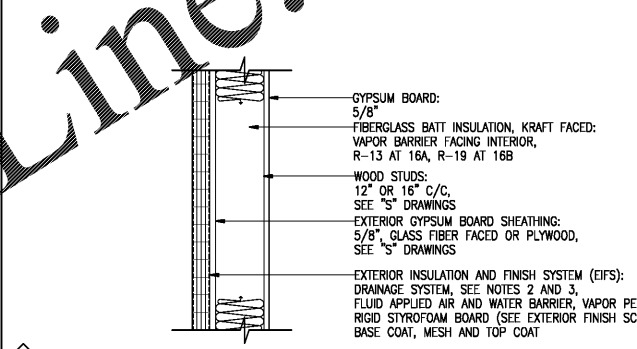


ASSEMBLY NOT FIRE-RATED

18 EXTERIOR WALL ASSEMBLY

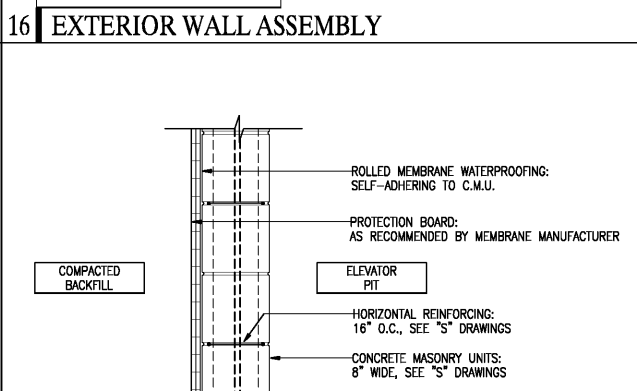
ONE-HOUR FIRE-RATED GA WP-8130 (PROPRIETARY)

17 EXTERIOR WALL ASSEMBLY



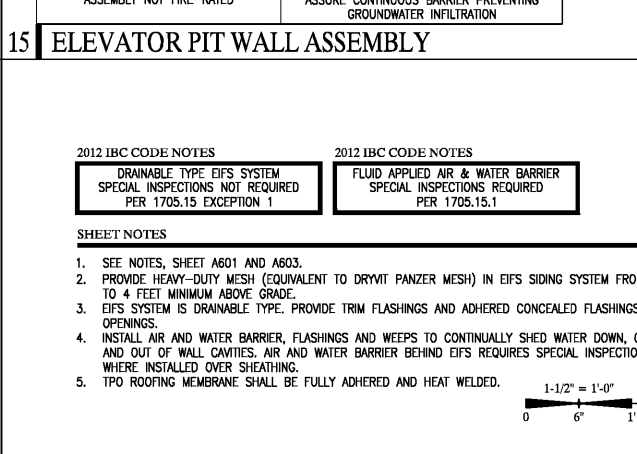
ASSEMBLY NOT FIRE-RATED

17 EXTERIOR WALL ASSEMBLY



ASSEMBLY NOT FIRE-RATED

16 EXTERIOR WALL ASSEMBLY



ASSEMBLY NOT FIRE-RATED PROVIDE WATER DAMS AND MEMBRANE TO ASSURE CONTINUOUS BARRIER PREVENTING GROUNDWATER INFILTRATION

15 ELEVATOR PIT WALL ASSEMBLY

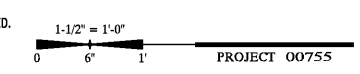
2012 IBC CODE NOTES
DRAINABLE TYPE EIFS SYSTEM SPECIAL INSPECTIONS NOT REQUIRED PER 1705.15 EXCEPTION 1
FLUID APPLIED AIR & WATER BARRIER SPECIAL INSPECTIONS REQUIRED PER 1705.15.1

SHEET NOTES
1. SEE NOTES, SHEET A601 AND A603.
2. PROVIDE HEAVY-DUTY MESH (EQUIVALENT TO DRYVIT PANZER MESH) IN EIFS SIDING SYSTEM FROM BASE TO 4 FEET MINIMUM ABOVE GRADE.
3. EIFS SYSTEM IS DRAINABLE TYPE. PROVIDE TRIM FLASHINGS AND ADHERED CONCEALED FLASHINGS AT ALL OPENINGS.
4. INSTALL AIR AND WATER BARRIER, FLASHINGS AND WEEPS TO CONTINUALLY SHED WATER DOWN, OVER AND OUT OF WALL CAVITIES. AIR AND WATER BARRIER BEHIND EIFS REQUIRES SPECIAL INSPECTION WHERE INSTALLED OVER SHEATHING.
5. TPO ROOFING MEMBRANE SHALL BE FULLY ADHERED AND HEAT WELDED.

HAMPTON INN
NEW HOTEL
ASHLAND CITY, TENNESSEE
WWW.DAVIDRCARTER.NET
DAVID R. CARTER AND ASSOCIATES



ISSUE DATE 05-30-19
REVISION LOG



ASSEMBLY TYPES- EXTERIOR A602

30 x 42