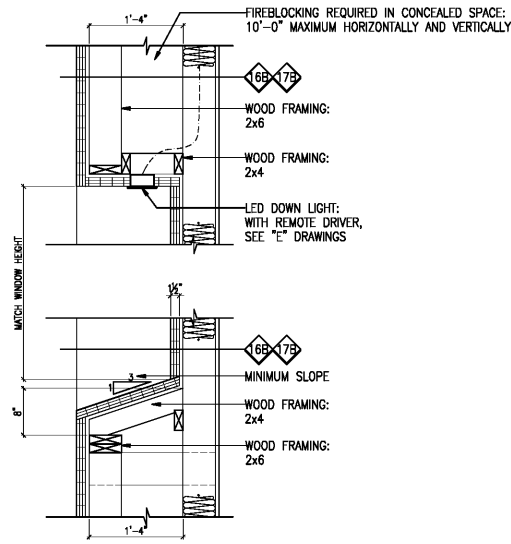
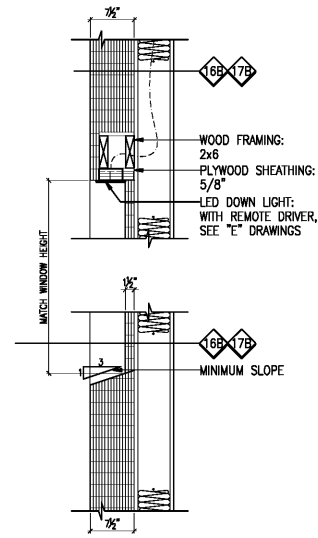


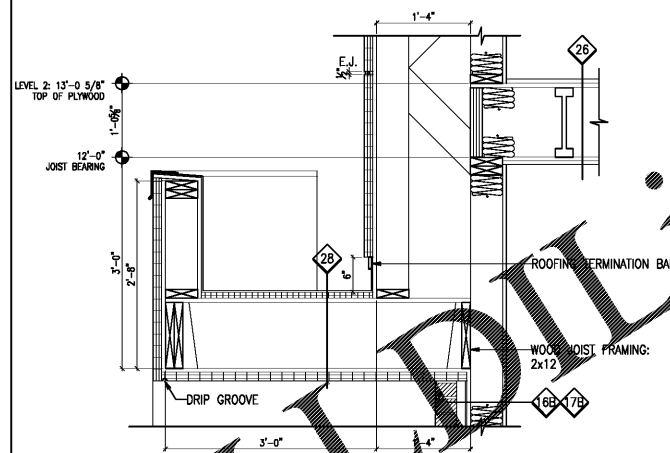
01 | CAP AT SIDE DUAL WALL



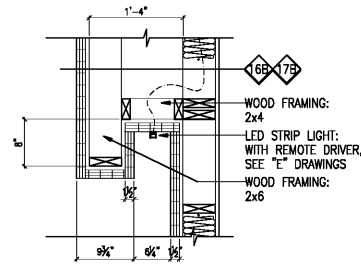
02 | NICHE AT SIDE DUAL WALL



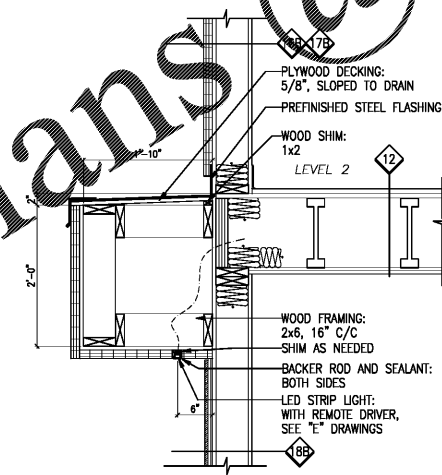
05 | EIFS ALCOVE AT FRONT WALL



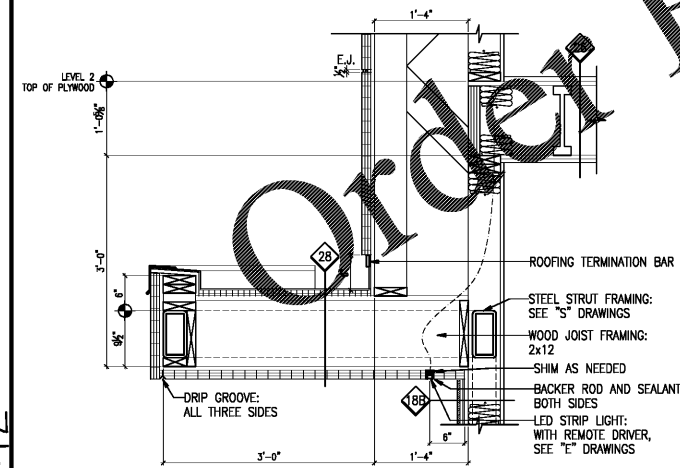
07 | REAR ENTRANCE STOOP



03 | LIGHT COVE AT SIDE DUAL WALL



06 | LEDGE AT BREAKFAST



04 | SIDE ENTRANCE AWNING

HAMPTON INN
NEW HOTEL
ASHLAND CITY, TENNESSEE
WWW.DAVIDRCARTER.NET
DAVID R. CARTER AND ASSOCIATES



SHEET NOTES
1. FOR NOTES, SEE SHEET A551.

ISSUE DATE 05-30-19
REVISION LOG



PROJECT 00755

WALL SECTIONS A554

30 x 42