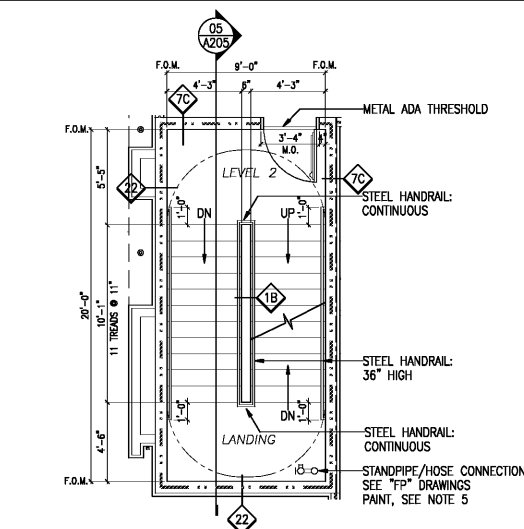
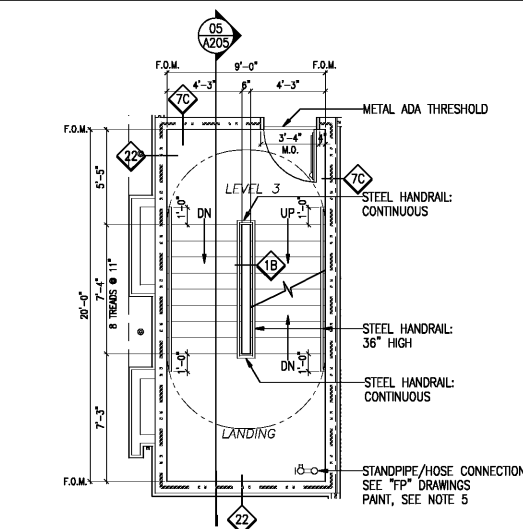


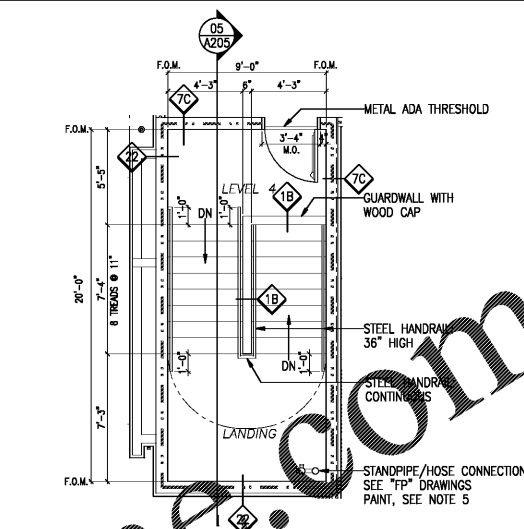
01 STAIR 1 & 2 - LEVEL 1



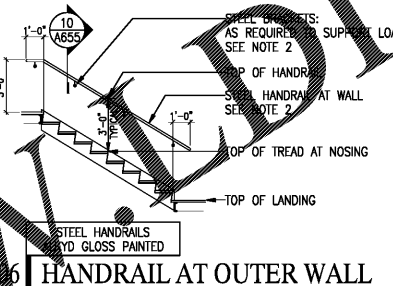
02 STAIR 1 & 2 - LEVEL 2



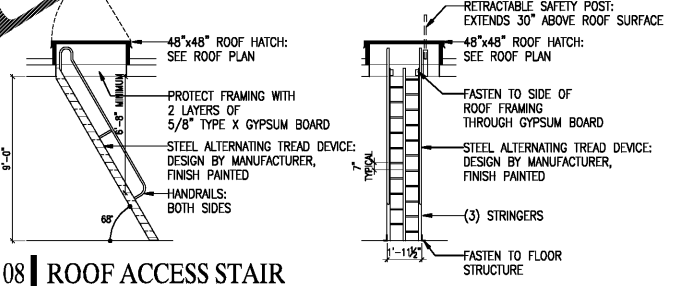
03 STAIR 1 & 2 - LEVEL 3



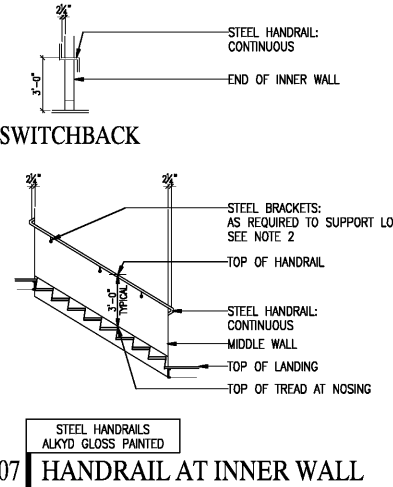
04 STAIR 1 & 2 - LEVEL 4



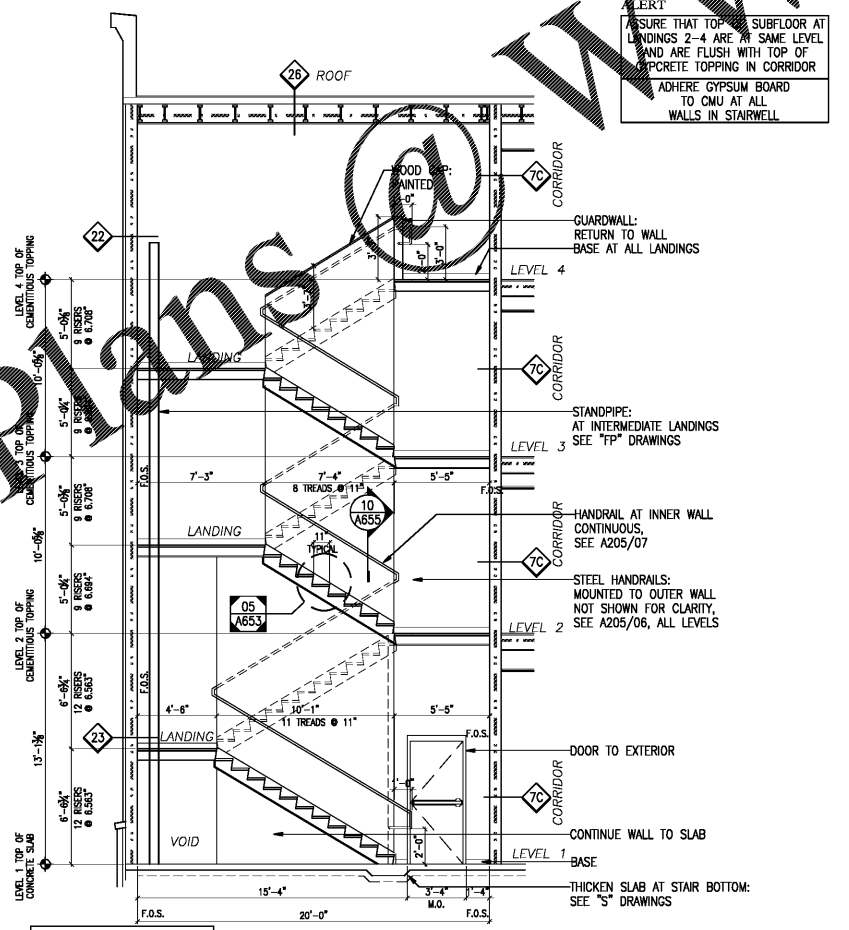
06 HANDRAIL AT OUTER WALL



08 ROOF ACCESS STAIR



07 HANDRAIL AT INNER WALL



05 STAIRS 1 & 2

Order Plans

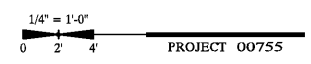
WWW.DAVIDR.CARTER.COM

- SHEET NOTES**
- FOR STAIR STRUCTURAL DESIGN, SEE "S" DRAWINGS.
 - HANDRAILS SHALL BE 1-1/2" DIAMETER ROUND STEEL RAILING, WITH 2-1/4" CLEARANCE BETWEEN RAIL AND WALL FOR A TOTAL PROJECTION OF 3-3/4". TOP OF HANDRAILS SHALL BE 36" ABOVE STAIR TREAD NOSINGS AND LANDINGS. HANDRAILS SHALL RETURN TO THE WALL AT ENDS. HANDRAILS SHALL SUPPORT 250 LBF IN ALL DIRECTIONS AT ANY POINT AND SHALL RESIST A LOAD OF 50 LB PER LINEAR FOOT IN ALL DIRECTIONS AND A SINGLE CONCENTRATED LOAD OF 200 POUNDS APPLIED IN ANY DIRECTION ALONG THE TOP. PROVIDE BLOCKING IN STUD WALLS TO SECURE HANDRAIL BRACKETS.
 - GUARDWALL SHALL PROVIDE SUPPORT TO RESIST A LOAD OF 50 POUNDS PER LINEAR FOOT IN ALL DIRECTIONS AND A SINGLE CONCENTRATED LOAD OF 200 POUNDS APPLIED IN ANY DIRECTION ALONG THE TOP.
 - PAINT STANDPIPES TO MATCH DOOR FRAMES UNLESS OTHERWISE REQUIRED BY LOCAL AUTHORITY HAVING JURISDICTION.

HAMPTON INN
NEW HOTEL
ASHLAND CITY, TENNESSEE
WWW.DAVIDR.CARTER.NET
DAVID R. CARTER AND ASSOCIATES



ISSUE DATE 05-30-19
REVISION LOG



STAIRS A205

30 x 42