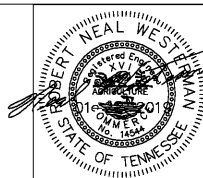
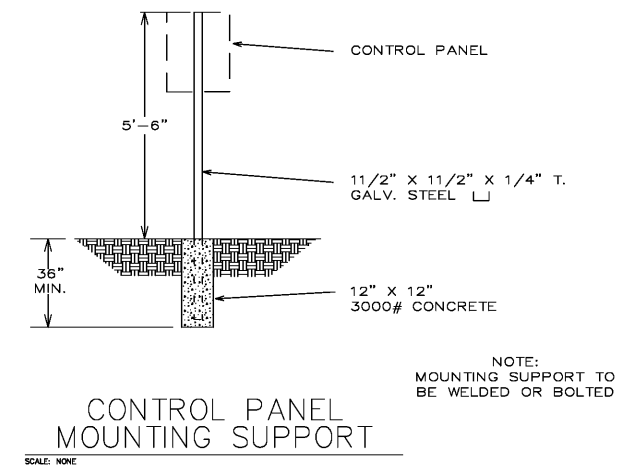
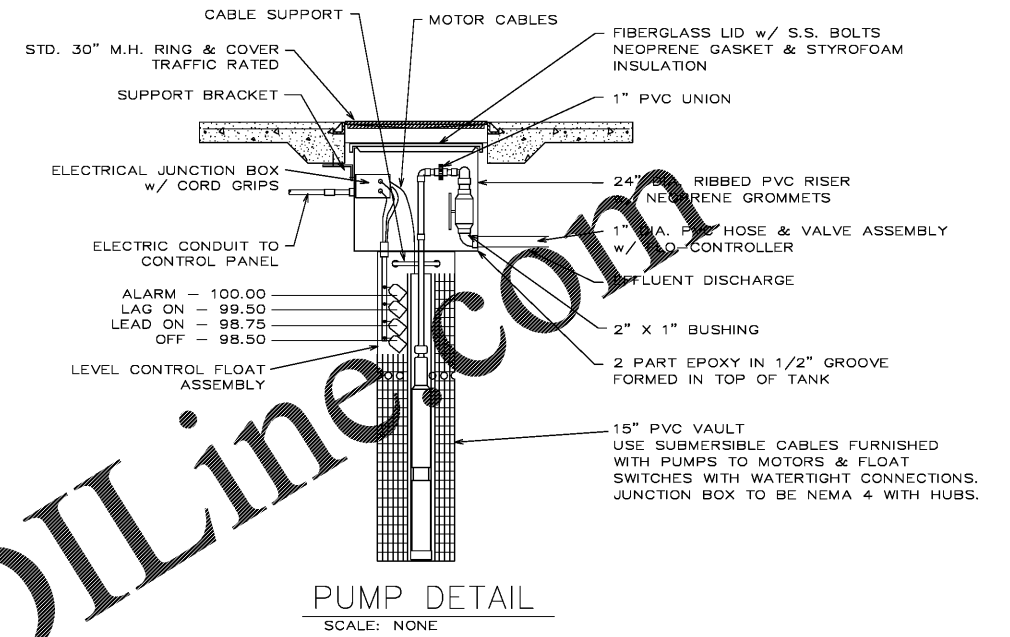


Order Plans @ www.LDILine.com



WESTERMAN ENGINEERING
Dickson, Tennessee 37055
PH: 615-375-6054 www.westengr.com

Ashland City Hampton Inn
Cheatham County, TN

DETAILS

DESIGN	DRAWN	CHECKED	SHEET
RNW	TWR	RNW	3
DATE	SCALE	PROJECT NO.	
NOV. 2018	NONE	18167	